

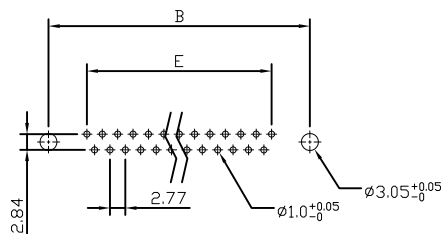
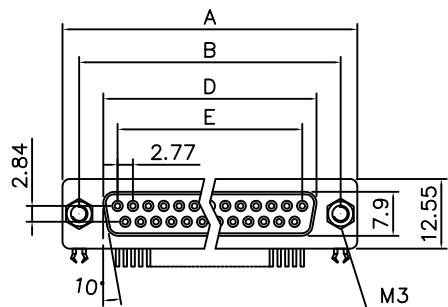
This document is the property of Amphenol Corporation and is delivered on the express condition that it is not to be disclosed, reproduced or used, in whole or in part, for manufacture or sale by anyone other than Amphenol Corporation without its prior consent, & that no right is granted to disclose or to use any information in this document.

Customer Drawing

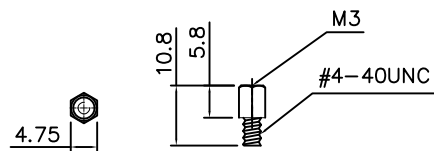
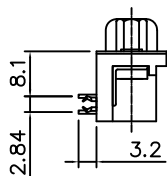
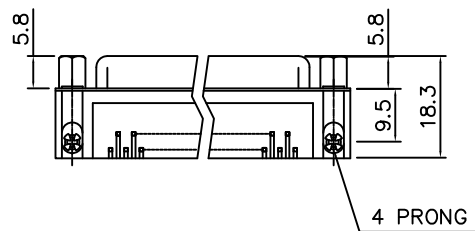
REVISIONS				
SYM	ECN	DESCRIPTION	DATE	APPROVED
1	HK--	First Release Drawing	01/25/17	IP

D-SUB TECHNICAL DATA

SHELL : Steel, 100u" Tin over 50u" min nickel over 50u" min Copper
 BODY : Glass-Filled Thermoplastic PBT, UL94V-0 BLACK
 CONTACTS : Copper Alloy
 Gold Flash over 50u" min nickel on mating area.
 100u" min tin over 50u" min nickel on solder area.
 BOARDLOCK: Brass, Tin plated.
 RIVET: Copper Alloy, Nickel plated.
 SCREWLOCK: Brass, Nickel plated.
 ELECTRICAL : Voltage Rating 250 V Rms Max.
 Current Rating 3A.
 Withstanding Voltage >1000 V Rms
 Insulation Resistance >1000 M Ohms
 Contact Resistance 20 mOhms max.
 MARKING : Amphenol...(Series No.)
 Commercial Reference
 Manufacturing Date



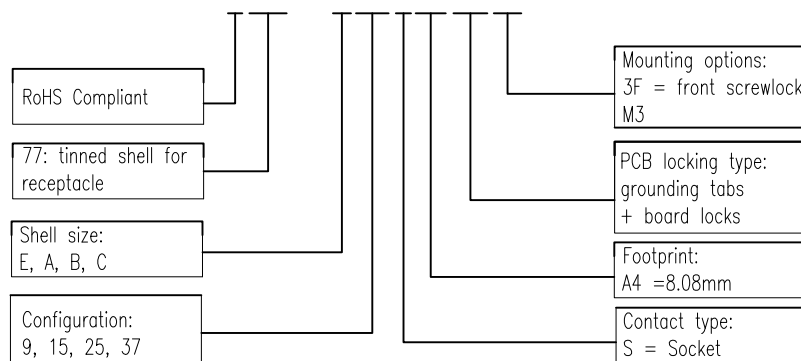
Recommended PCB layout
 Tolerance: +/-0.05mm



#4-40 unc screwlock installed

PRODUCT CODE

L 77 SD XX S A4 CH 3F



Dimensions

Positions	A	B	D	E
9	30.81	24.99	16.33	11.08
15	39.20	33.30	24.70	19.39
25	53.05	47.04	38.40	33.24
37	69.40	63.50	54.80	49.86



UNLESS OTHERWISE SPECIFIED TOLERANCES	APPROVAL		DATE
	U.S.	METRIC	
.X +/-	0.50		DRAWN Felix Liu 01/25/17
.XX +/-	0.30		CHECKED Tony Tang 01/25/17
.XXX +/-	0.20		CHECKED
FRACTIONS +/-	5'		
ANGLES +/-			
FOR MATERIALS AND FINISHES SEE NOTES	DRAWING FILE :		
REMOVE SHARP EDGES	ANGLE OF PROJECTION		
DIMENSIONS			
U.S. INCHES			
METRIC MM			

Amphenol		
TITLE D-SUB connector, R/A Series		
SIZE	DRAWING NO.	REV.
A4	L77SDXXXSA4CH3F	1
SCALE	NONE	SHEET 1 OF 1