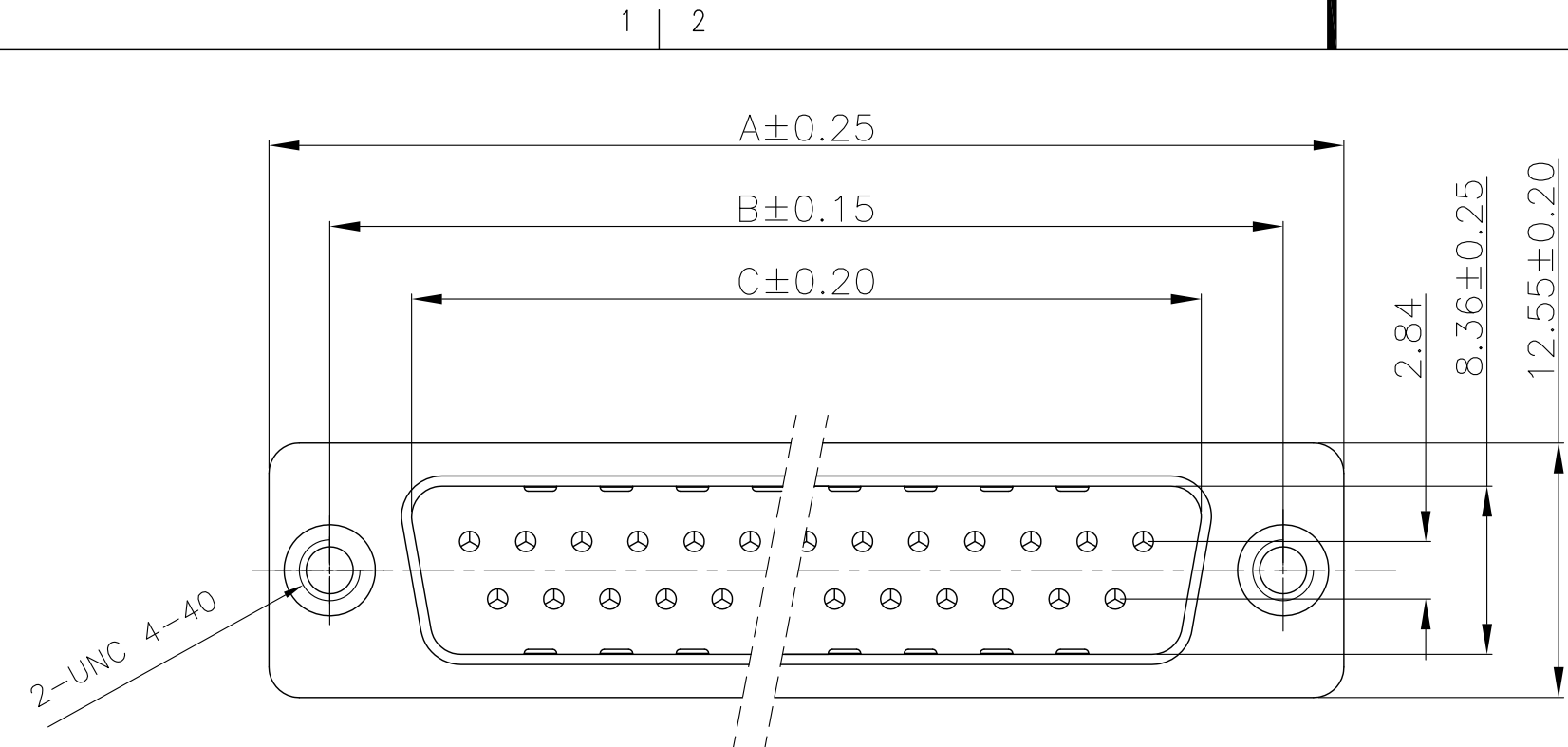


Tous droits strictement réservés. Reproduction ou communication a des tiers interdite sous quelque forme que ce soit sans autorisation écrite du propriétaire. Propriété de c FCI. Droits de reproduction FCI.



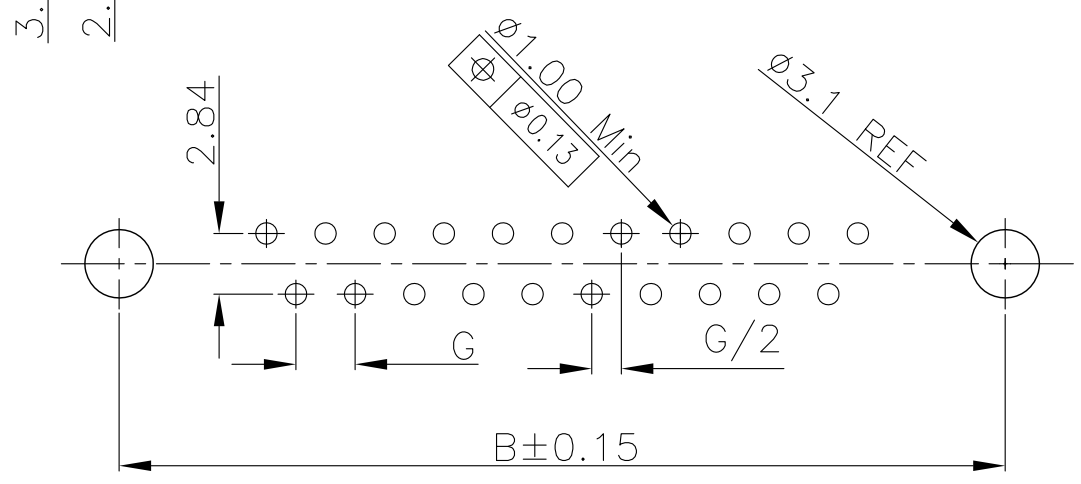
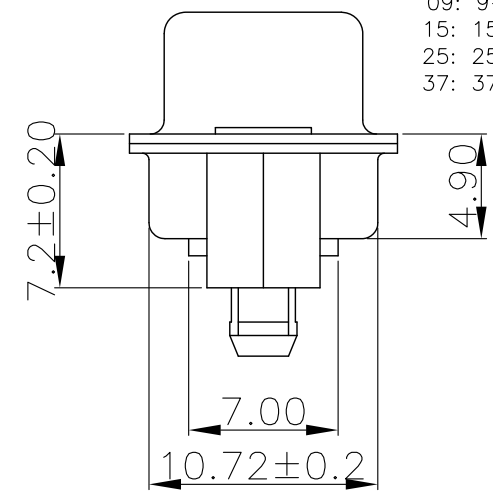
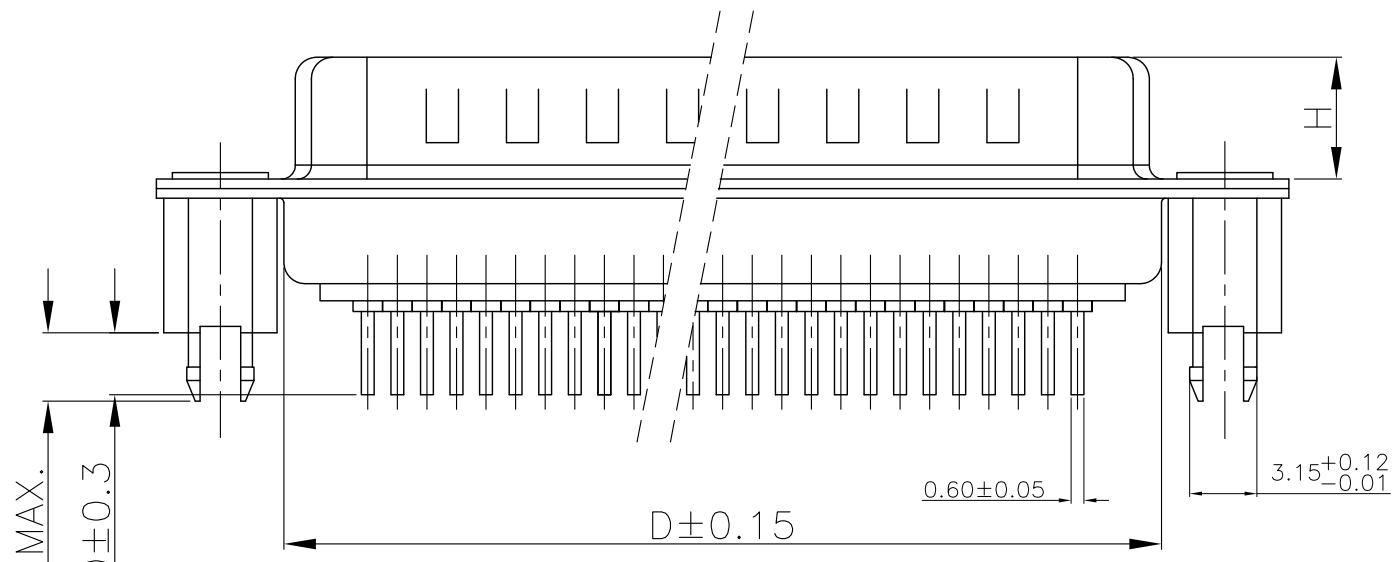
All rights strictly reserved. Reproduction or issue to third parties in any form whatever is not permitted without written authority from the proprietor. Property of FCI. Copyright FCI.



REMARK:
 1.CHARACTERISTICS:
 RATED VOLTAGE: 250V
 RATED CURRENT: 5AMP
 CONTACT RESISTANCE: 25mohms MAX.INITIAL; 40mohms MAX.AFTER.
 INSULATION RESISTANCE: 5000Mohms MIN.at 500V DC
 DIELECTRIC STRENGTH: 1000VRMS
 OPERATING TEMPERATURE RANGE: -55℃~105℃
 INSERTION/EXTRACTION FORCE PER CONTACT :5N Max./0.3N Min.
 MATING/UNMATING CYCLES :50MATINGS MIN.

2.MATERIAL:
 INSULATORS: GLASS-FILLED THERMOPLASTIC UL94V-0, COLOR IN BLACK.
 CONTACTS: COPPER ALLOY, SELECTIVE GOLD ON CONTACT AREA,
 100u" Min MATTE TIN TOP OVER SOLDER AREA,
 30u" Min NICKEL UNDER PLATE.
 SHELL: STEEL,100u" Min NICKEL TOP OVER,
 50u" Min COPPER UNDER PLATE.
 CLINCH NUT :COPPER ALLOY ,100u" Min MATTE TIN PLATED.

3. PART NUMBER DESCRIPTION: **10090096-P XX 4 X LF**
 SERIES NO. _____
 TYPE _____
 P: PIN (MALE)
 NUMBER OF CONTACTS _____
 09: 9-PIN
 15: 15-PIN
 25: 25-PIN
 37: 37-PIN
 LF: ROHS COMPLIANT
 FLANGE MOUNTING OPTION
 X: UNC #4-40 CLINCHNUTS
 CONTACT FINISH
 4: GOLD FLASH



P.C.B LAYOUT
 t: 1.6±0.1mm

POS.	PART NO.	THREAD TYPE
9	10090096-P094XLF	UNC #4-40
15	10090096-P154XLF	UNC #4-40
25	10090096-P254XLF	UNC #4-40
37	10090096-P374XLF	UNC #4-40

POS.	A	B	C	D	G	H
9	30.81	24.99	16.92	19.28	2.74	5.90 ^{+0.15} ₀
15	39.24	33.32	25.25	27.65	2.74	5.90 ^{+0.15} ₀
25	53.04	47.04	38.96	41.10	2.77	5.70 ^{+0.25} ₀
37	69.32	63.50	55.42	57.44	2.77	5.70 ^{+0.25} ₀

mat'l. code				tolerances unless otherwise specified		CUSTOMER COPY		FCI		
ltr	ecn no	dr	date	linear	.X ± 0.38	projection	www.fciconnect.com			
A	T09-1033	J.H	3/12/09	linear	.XX ± 0.25		title			
B	T09-1044	J.H	4/2/09	angles	.XXX ± 0.10		D-SUB MALE STRAIGHT			
C	ELX-H-011675	P.K	18/05/12	dr	0° ±2°		product family		D-SUB	code
D	ELX-I-15500	A.B	2013/08/21	enr	JASON HSU 3/12/09		size		DWG no	TWN
				chr	ALIAS BABU 2013/08/21		A4		10090096	sheet
				appd	MITHUN PAUL 2013/08/21		1:1			1 of 2
					BIJU.K.PAUL 2013/08/21					
sheet index	revision sheet	D	D							
		1	2							

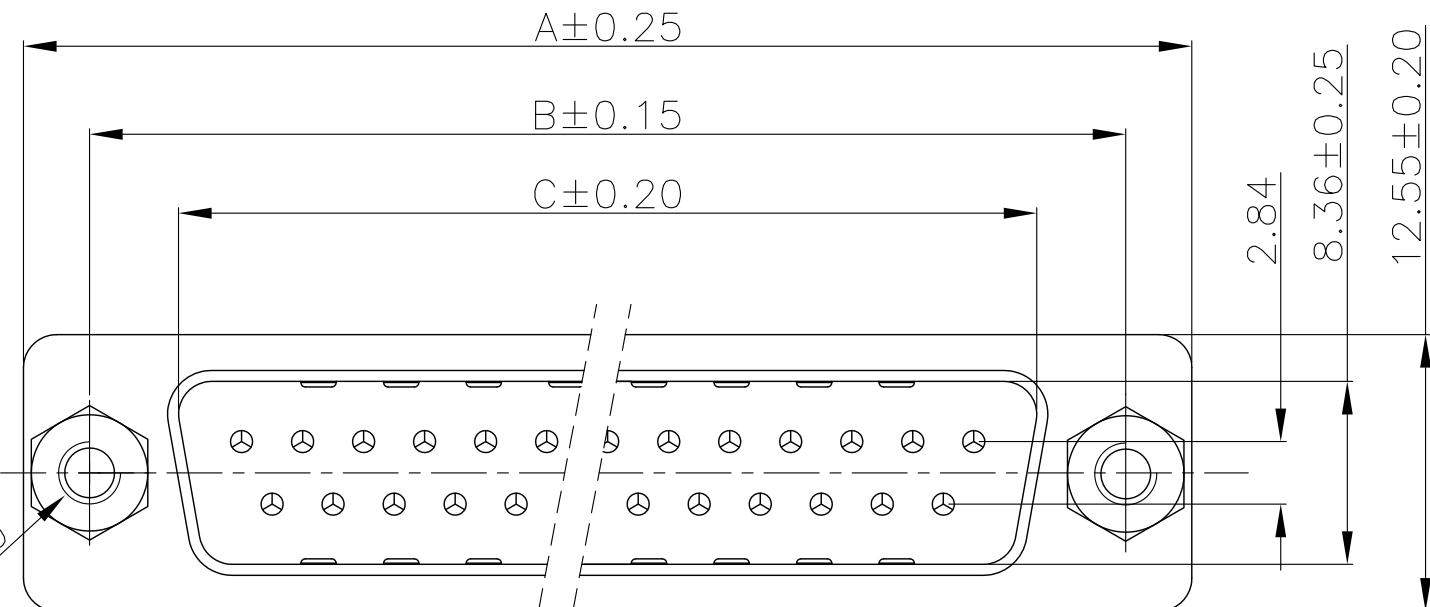
Tous droits strictement reserves. Reproduction ou communication a des tiers interdite sous quelque forme que ce soit sans autorisation ecrite du proprietaire. Propriete de c FCI. Droits de reproduction FCI.



All rights strictly reserved. Reproduction or issue to third parties in any form whatever is not permitted without written authority from the proprietor. Property of FCI. Copyright FCI.

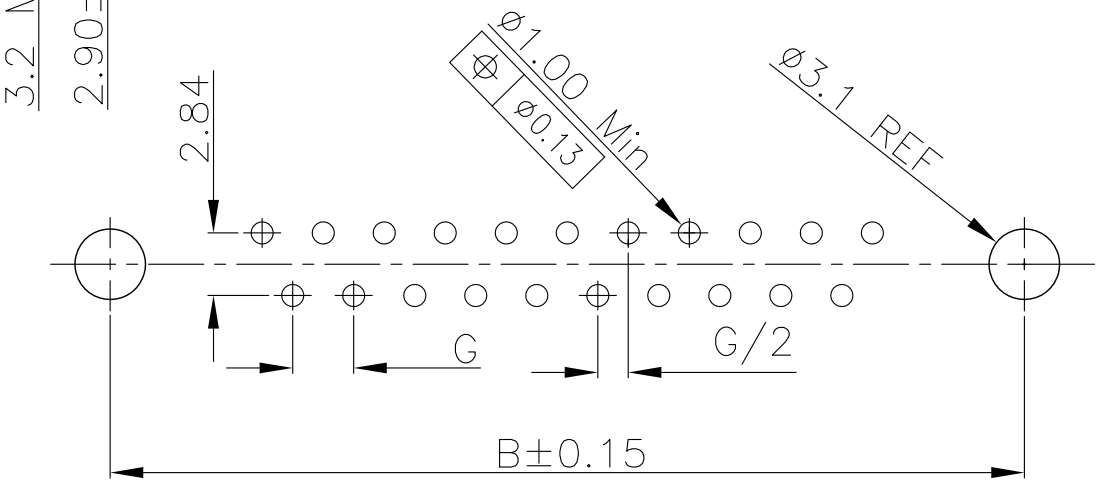
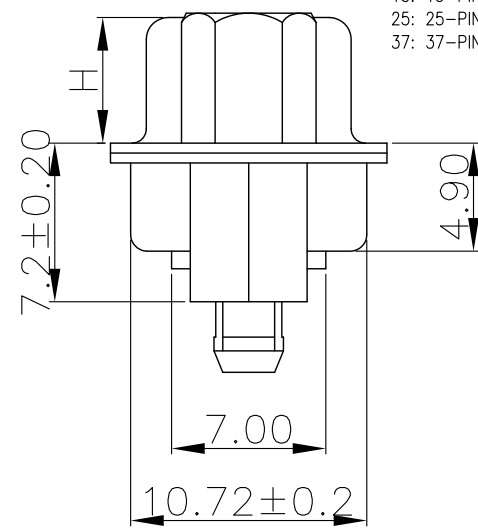
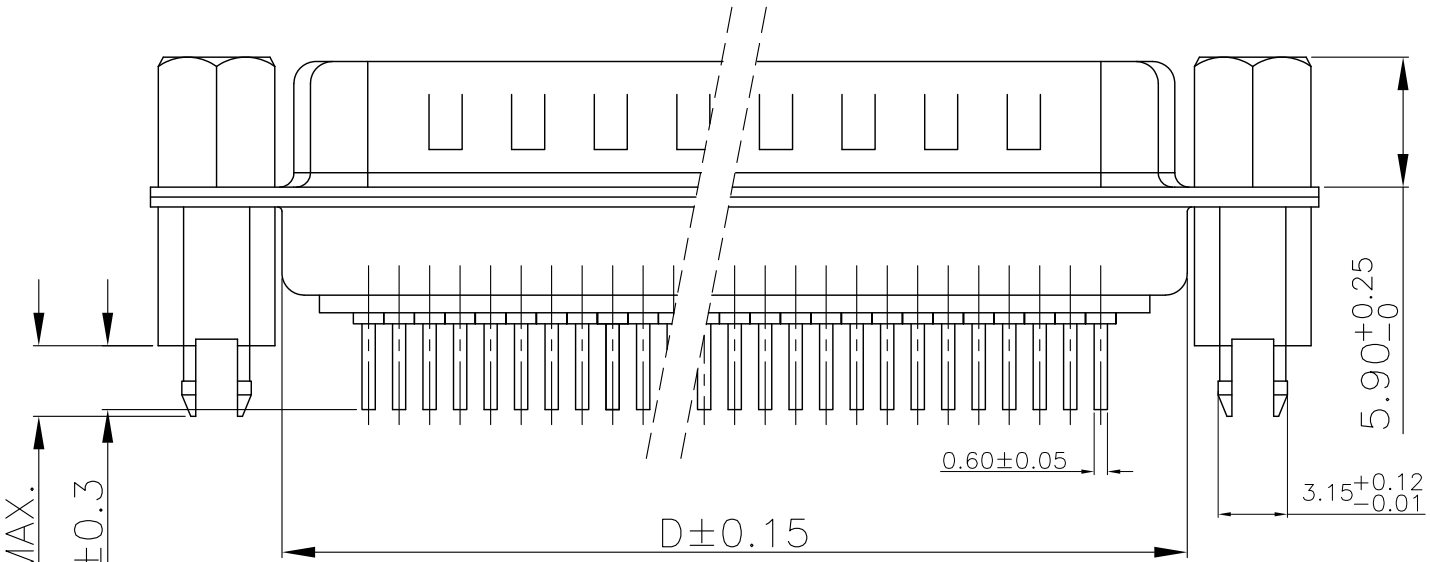
1 | 2

3 | 4



REMARK:
 1.CHARACTERISTICS:
 RATED VOLTAGE: 250V
 RATED CURRENT: 5AMP
 CONTACT RESISTANCE: 25mohms MAX.INITIAL ;40mohms MAX.AFTER.
 INSULATION RESISTANCE: 5000Mohms MIN.at 500V DC
 DIELECTRIC STRENGTH: 1000VRMS
 OPERATING TEMPERATURE RANGE: -55°C~105°C
 INSERTION/EXTRACTION FORCE PER CONTACT :5N Max./0.3N Min.
 MATING/UNMATING CYCLES :50MATINGS MIN.
 2.MATERIAL:
 INSULATORS: GLASS-FILLED THERMOPLASTIC UL94V-0, COLOR IN BLACK
 CONTACTS: COPPER ALLOY,SELECTIVE GOLD ON CONTACT AREA,
 100u" Min MATTE TIN TOP OVER SOLDER AREA,
 30u" Min NICKEL UNDER PLATE.
 SHELL: STEEL,100u" Min NICKEL TOP OVER,
 50u" Min COPPER UNDER PLATE.
 CLINCH NUT :COPPER ALLOY ,100u" Min MATTE TIN PLATED.
 SCREW LOCK: COPPER ALLOY, 100u" Min BRIGHT NICKEL PLATED.

3. PART NUMBER DESCRIPTION: **10090096-P XX 4 V LF**
 SERIES NO. _____
 TYPE _____
 P: PIN (MALE)
 NUMBER OF CONTACTS _____
 09: 9-PIN
 15: 15-PIN
 25: 25-PIN
 37: 37-PIN
 LF: ROHS COMPLIANT
 FLANGE MOUNTING OPTION
 V: UNC #4-40 SCREWLOCKS
 CONTACT FINISH
 4: FLASH GOLD



P.C.B LAYOUT
 t: 1.6±0.1mm

POS.	PART NO.	H			
9	10090096-P094VLF	5.90 ^{+0.15} ₀			
15	10090096-P154VLF	5.90 ^{+0.15} ₀			
25	10090096-P254VLF	5.70 ^{+0.25} ₀			
37	10090096-P374VLF	5.70 ^{+0.25} ₀			
POS.	A	B	C	D	G
9	30.81	24.99	16.92	19.28	2.74
15	39.24	33.32	25.25	27.65	2.74
25	53.04	47.04	38.96	41.10	2.77
37	69.32	63.50	55.42	57.44	2.77

mat'l. code				tolerances unless otherwise specified			CUSTOMER COPY		FCI	
ltr	ecn no	dr	date	linear	.X ± 0.38	projection	www.fciconnect.com			
D					.XX ± 0.25		title			
				angles	.XXX ± 0.10		D-SUB MALE STRAIGHT			
				dr	JASON HSU 6/30/08	MM	product family		D-SUB	
				enr	ALIAS BABU 2013/08/21		size		dwg no	
				chr	MITHUN PAUL 2013/08/21	scale	A4		10090096	
				appd	BIJU.K.PAUL 2013/08/21		1:1		sheet 2 of 2	
sheet index	revision sheet									

1 | 2

3 | 4

ACAD

PDS: Rev :D

STATUS:Released

Printed: Aug 26, 2013

cage code
 22526