



**ANATECH ELECTRONICS, INC.**

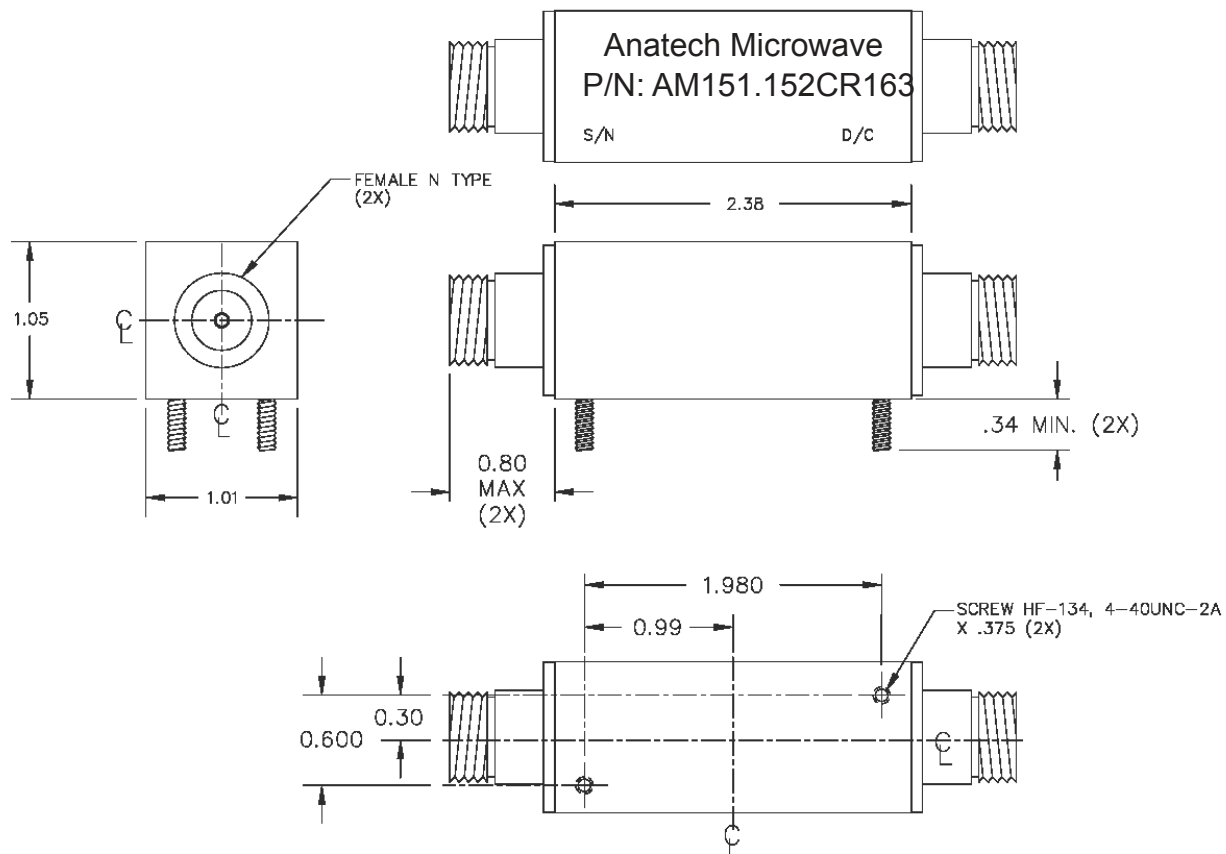
Manufacturer of RF & Microwave Filters and Products



## Bandpass Crystal Filter

Part Number: AM151.152CR163

Filter Type	Band Pass
Center Frequency (Fo)	151.1525MHz
3dBc Band Width:	± 20KHz Min
Insertion Loss:	5.0dB Max
Pass Band Ripple:	0.5dB Max
60dBc Band Width:	± 65KHz Max
Impedance:	50 Ohms
Operating Temperature:	-20°C to +75°C



ANATECH ELECTRONICS INC. 70 Outwater Lane, Garfield, NJ 07026 Tel: (973) 772-4242 Fax: (973) 772-4646

E-Mail: sales@anatechelectronics.com Website: www.anatechelectronics.com