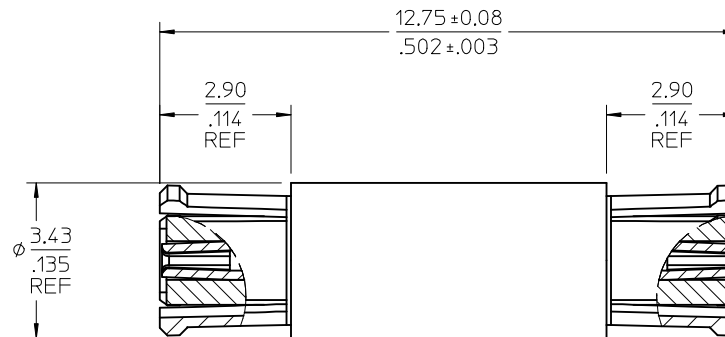
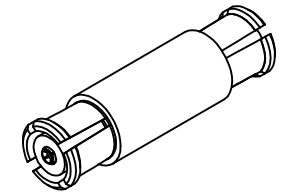


MATERIALS AND FINISHES:

BODY, CONTACT: BERYLLIUM COPPER
 PLATED: GOLD (10μ-in MIN)
 OVER NICKEL (100μ-in MIN)

INSULATOR: PTFE



73406-0250	TRAY
PART NO	PACKAGING
PS-89675-3320	ELEC/MECH PERFORMANCE
MIL-STD-348B, FIG. 326.1	INTERFACE
SPECIFICATION	DESCRIPTION

CHG: ADD TOLERANCE TO DIM 12.75/.502 IN H6/7 ZONE.
 DEC NO: URF2017-0389
 DRW: NARAKASHO1 2017/05/19
 CHK: D888 2017/05/19
 APPR: AROBERTSON 2017/06/26

REV	DESCRIPTION
A1	

QUALITY SYMBOLS	
	= 0
	= 0
	= 0

GENERAL TOLERANCES (UNLESS SPECIFIED)	
	mm
	INCH
4 PLACES	± .010
3 PLACES	± .010
2 PLACES	± 0.25
1 PLACE	± .010
0 PLACE	± .010
ANGULAR ± 2 °	
DRAFT WHERE APPLICABLE MUST REMAIN WITHIN DIMENSIONS	

DIMENSION STYLE		SCALE	DESIGN UNITS	THIRD ANGLE PROJECTION
MM/IN			METRIC	
DRAWN BY	DATE	TITLE SMP JACK TO JACK ADAPTER 50 OHMS SMP-J/J/ADP molex		
CHECKED BY	DATE			
APPROVED BY	DATE			
MATERIAL NO.	DATE			
SEE TABLE		DOCUMENT NO.	SHEET NO.	
		SD-73406-025	1 OF 1	
THIS DRAWING CONTAINS INFORMATION THAT IS PROPRIETARY TO MOLEX INCORPORATED AND SHOULD NOT BE USED WITHOUT WRITTEN PERMISSION				