

THIS DRAWING IS UNPUBLISHED.

RELEASED FOR PUBLICATION

© COPYRIGHT - By -

ALL RIGHTS RESERVED.

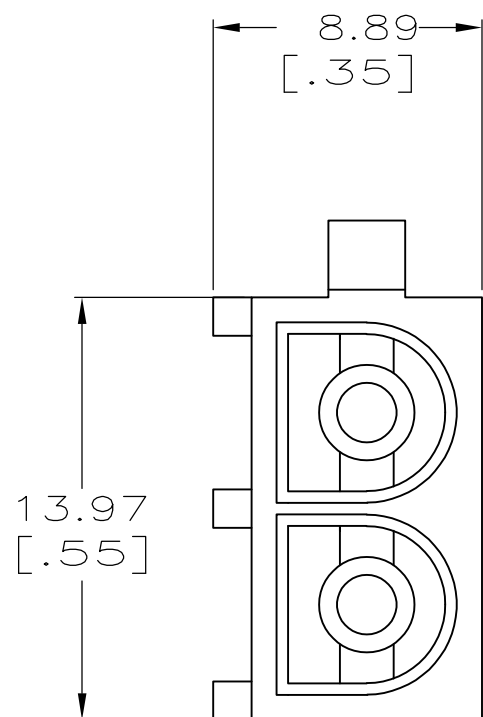
LOC FT DIST 0

REVISIONS

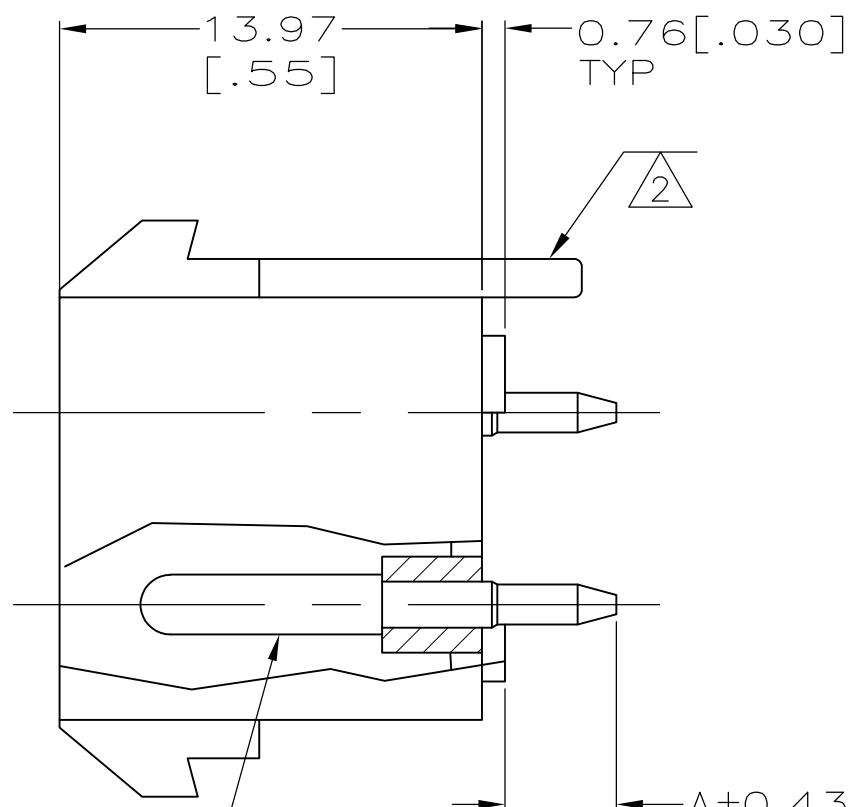
P	LTR	DESCRIPTION	DATE	DWN	APVD
	H3	REVISED PER ECO-11-004917	11MAR11	RK	HMR

1 PRELIMINARY PART NUMBER.

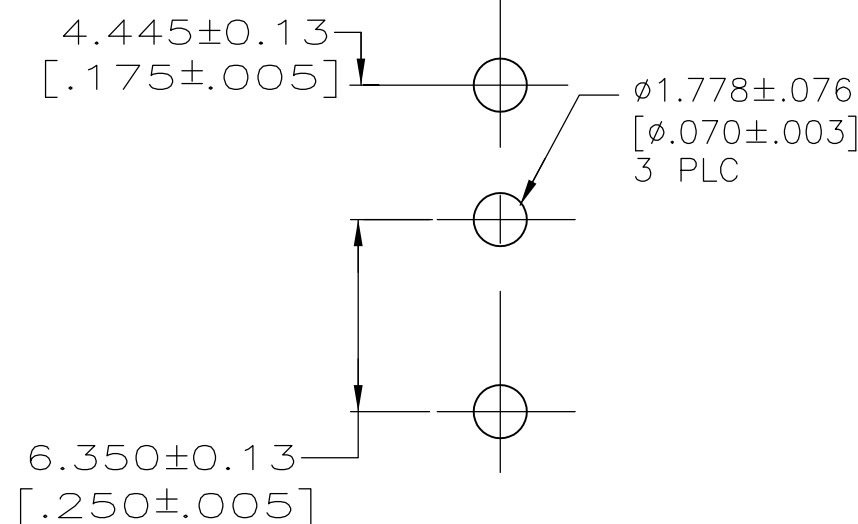
2 NO LOCATION TAB.



HOUSING MATERIAL: NYLON 94V-0



CONTACT MATERIAL: COPPER ALLOY
 FINISH: 5 um [200uIN] MIN SILVER
 OVER 1um [40uIN] MIN NICKEL (-1 & -2).
 30 uIN MIN GOLD OVER 50 uIN MIN NICKEL. (-3).



RECOMMENDED LAYOUT FOR 1.57 [.062] THICK P.C. BOARD

2	3.68 [.145]	194009-4
1	3.68 [.145]	194009-3
1	7.62 [.300]	194009-2
	3.68 [.145]	194009-1
	DIM A	PART NUMBER

THIS DRAWING IS A CONTROLLED DOCUMENT.		DWN R.N. POLK 03NOV94	STE TE Connectivity		
DIMENSIONS: mm		CHK G.STEINHAUER 03NOV94			
TOLERANCES UNLESS OTHERWISE SPECIFIED:		APVD G.STEINHAUER 03NOV94	NAME		
0 PLC ± -		PRODUCT SPEC			
1 PLC ± -		APPLICATION SPEC			
2 PLC ± 0.25[.01]		SIZE	CAGE CODE	DRAWING NO	RESTRICTED TO
3 PLC ± -		A3 00779		C-194009	-
4 PLC ± -		CUSTOMER DRAWING			
ANGLES ± -		SCALE	SHEET	REV	
FINISH		4:1	1 OF 1	H3	