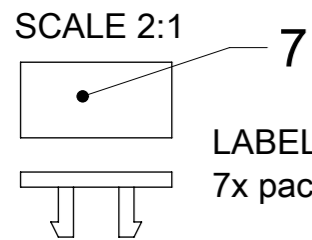


TABLE 1

| MOLEX PN | ENG. NO. | CABLE LENGHT (mm) | LED |
|------------|----------------|-------------------|-----|
| 1202470031 | BEB6010-FBW-05 | 5000 | NO |
| 1202470032 | BEB6010-FBW-10 | 10000 | NO |
| 1202470033 | BEB6010-FBW-15 | 15000 | NO |
| 1202470040 | BEB601P-FBW-05 | 5000 | YES |
| 1202470041 | BEB601P-FBW-10 | 10000 | YES |
| 1202470042 | BEB601P-FBW-15 | 15000 | YES |

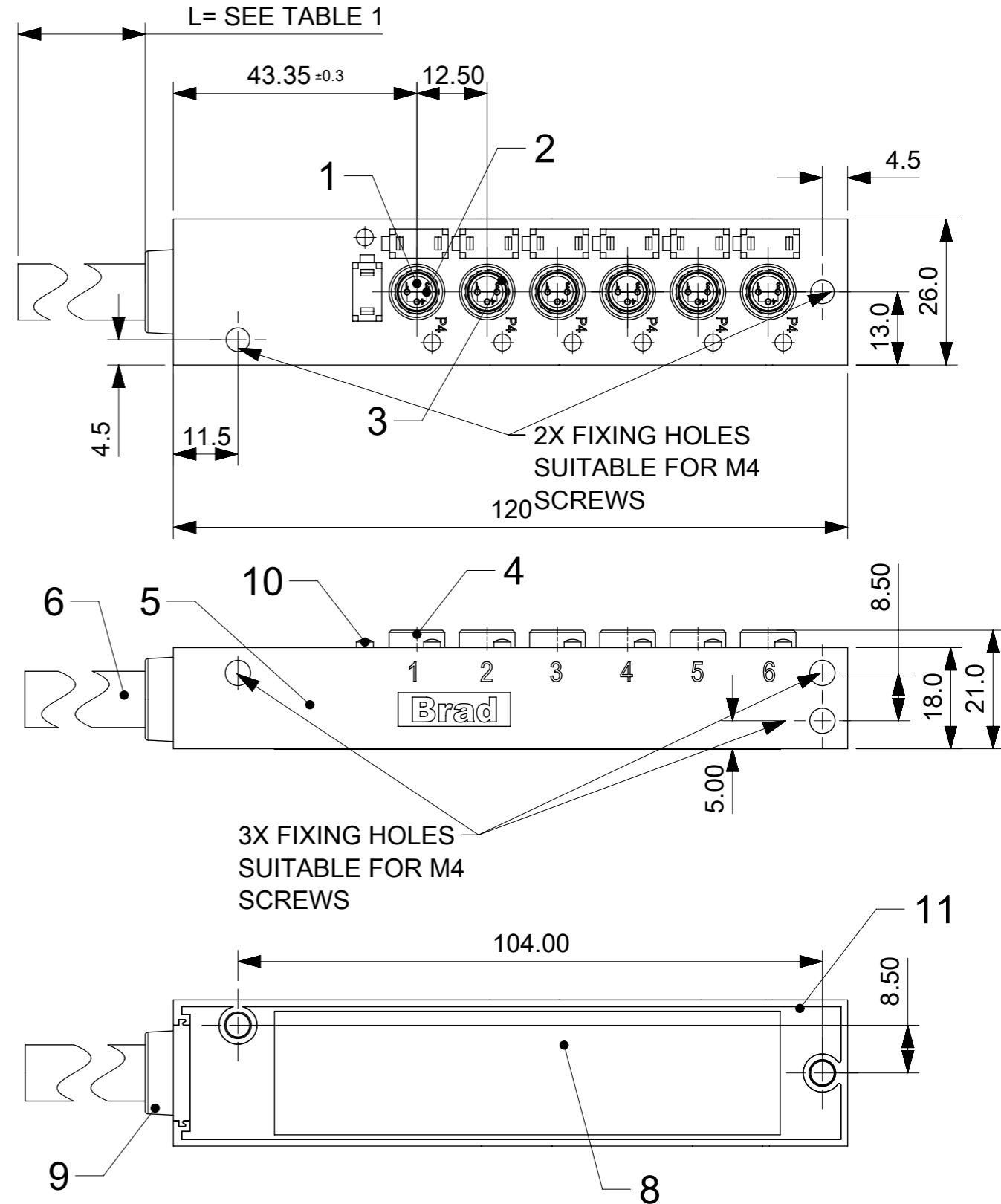
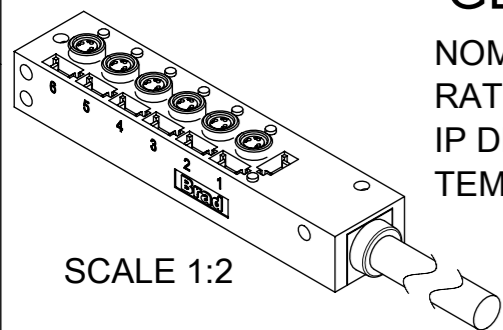
TABLE 2

| ITEM | COMPONENT | MATERIAL | FINISH |
|------|------------------|---------------|------------------|
| 1 | INSERT | POLYESTER | BLACK |
| 2 | CONTACT | COPPER ALLOY | GOLD OVER NICKEL |
| 3 | O-RING | VITON | RED |
| 4 | RECEPTACLE SHELL | BRASS | NICKEL PLATED |
| 5 | HOUSING | PBT | BLACK |
| 6 | CABLE | TPU | BLACK |
| 7 | LABEL | ABS | WHITE |
| 8 | LABEL ADHESIVE | PE | WHITE |
| 9 | CABLE PLATE | PBT | BLACK |
| 10 | LED | NO LED = PA | BLACK |
| | | WITH LED = PA | TRANSPARENT |
| 11 | RESIN | EPOXY | TRANSPARENT |



GENERAL CHARACTERISTICS:

NOMINAL VOLTAGE: 24 V DC
 RATED CURRENT: 2 A PER PORT / 6 A MAX: TOTAL
 IP DEGREE OF PROTECTION: IP 67
 TEMPERATURE RANGE: -25°C to + 85°C

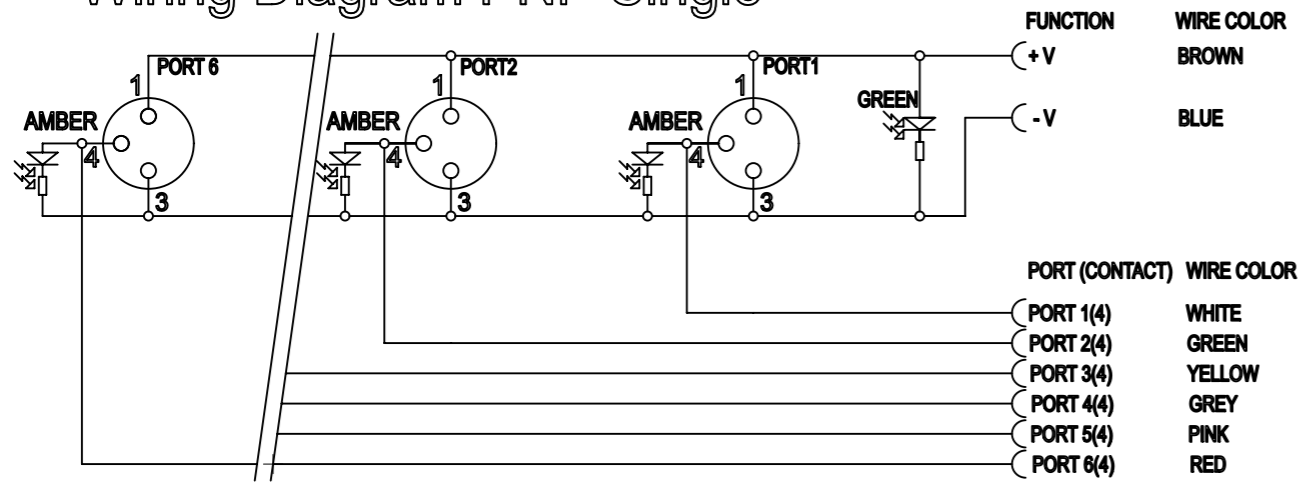


CABLE LENGTH TOLERANCES

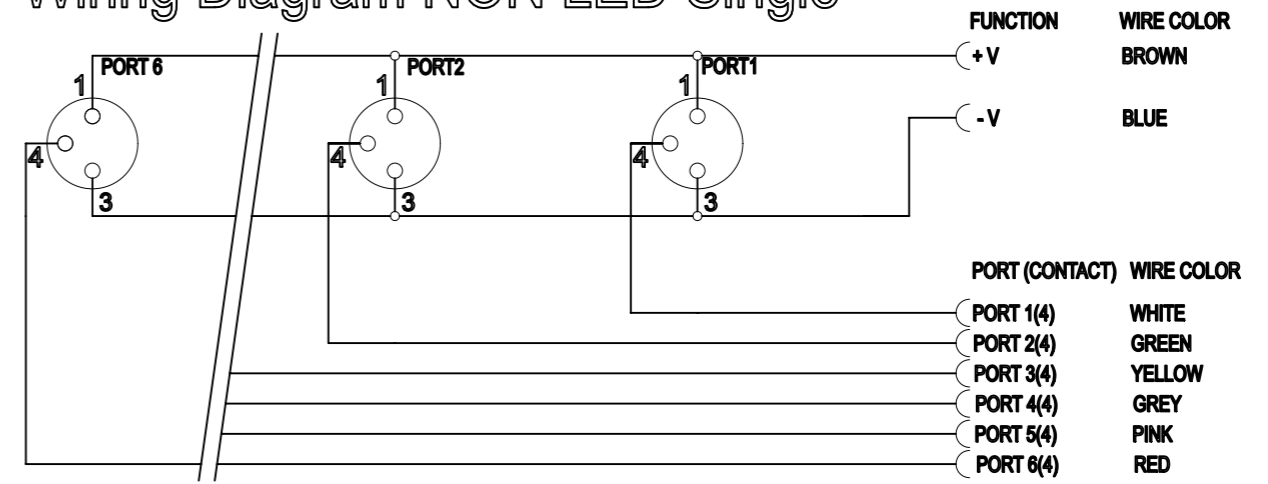
| LENGTH | TOLERANCE |
|----------|------------|
| 0m-1m | +40 mm |
| >1m-5m | +60 mm |
| >5m-10m | +80 mm |
| >10m-20m | +140 mm |
| >20m-30m | +160 mm |
| >30m | +1% length |

| | | |
|---|---|--|
| FUNCTIONAL SYMBOLS | THIS DRAWING CONTAINS INFORMATION THAT IS PROPRIETARY TO MOLEX ELECTRONIC TECHNOLOGIES, LLC AND SHOULD NOT BE USED WITHOUT WRITTEN PERMISSION | |
| $\nabla_A = 0$ $\nabla_E = 0$ $\nabla_{E'} = 0$ | DIMENSION UNITS: mm SCALE: 1:1 GENERAL TOLERANCES (UNLESS SPECIFIED) ANGULAR TOL: ± ° | CURRENT REV DESC: ADDED CABLE TOLERANCE TABLE EC NO: 699789 DRWN: MDHARMANTI 2022/03/11 CHK'D: RSILLER 2022/03/17 APPR: RSILLER 2022/03/17 |
| DIVISIONAL SYMBOLS | 4 PLACES ± 3 PLACES ± 2 PLACES ± 0.2 1 PLACE ± 0.3 0 PLACES ± 0.5 | INITIAL REVISION: DRWN: ULETTENMEIER 2015/06/15 APPR: RSILLER 2015/07/03 |
| DRAFT WHERE APPLICABLE MUST REMAIN WITHIN DIMENSIONS | THIRD ANGLE PROJECTION | DRAWING: A3-SIZE |
| SERIES: 120247 | | MATERIAL NUMBER: SEE TABLE 1 |
| CUSTOMER: GENERAL MARKET | | DOCUMENT NUMBER: 1202470031 |
| SHEET NUMBER: 1 OF 2 | | DOC TYPE: PSD |
| DOC PART: 000 | | REVISION: B1 |

Wiring Diagram PNP Single



Wiring Diagram NON LED Single



| | | | | | |
|--|---|---|---|-----------------|-----------------|
| FUNCTIONAL SYMBOLS | THIS DRAWING CONTAINS INFORMATION THAT IS PROPRIETARY TO MOLEX ELECTRONIC TECHNOLOGIES, LLC AND SHOULD NOT BE USED WITHOUT WRITTEN PERMISSION | | | | |
| | $\nabla_A = 0$ $\nabla_F = 0$ $\nabla_V = 0$ | DIMENSION UNITS: mm SCALE: 1:1 | | | |
| DIVISIONAL SYMBOLS | GENERAL TOLERANCES (UNLESS SPECIFIED) | | MPIS M8 PNP NOS 3P 6PT AC FE STR BK 5M SINGLE | | |
| | ANGULAR TOL ± ° | | PRODUCT CUSTOMER DRAWING | | |
| | 4 PLACES ± | | EC NO: 699789 | DOCUMENT NUMBER | DOC TYPE |
| | 3 PLACES ± | | DRWN: MDHARMANTI 2022/03/11 | 1202470031 | PSD |
| | 2 PLACES ± 0.2 | | CHK'D: RSILLER 2022/03/17 | DOC PART | REVISION |
| 1 PLACE ± 0.3 | | APPR: RSILLER 2022/03/17 | 000 | B1 | |
| 0 PLACES ± 0.5 | | INITIAL REVISION: | SHEET NUMBER | | |
| DRAFT WHERE APPLICABLE MUST REMAIN WITHIN DIMENSIONS | | THIRD ANGLE PROJECTION | DRAWING | SERIES | MATERIAL NUMBER |
| | | | A3-SIZE | 120247 | SEE TABLE 1 |
| | | | CUSTOMER | GENERAL MARKET | |
| | | | 2 OF 2 | | |