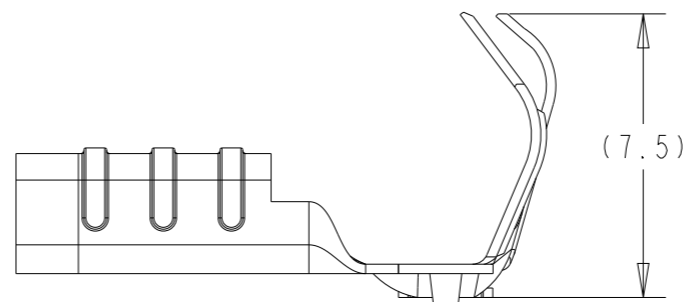
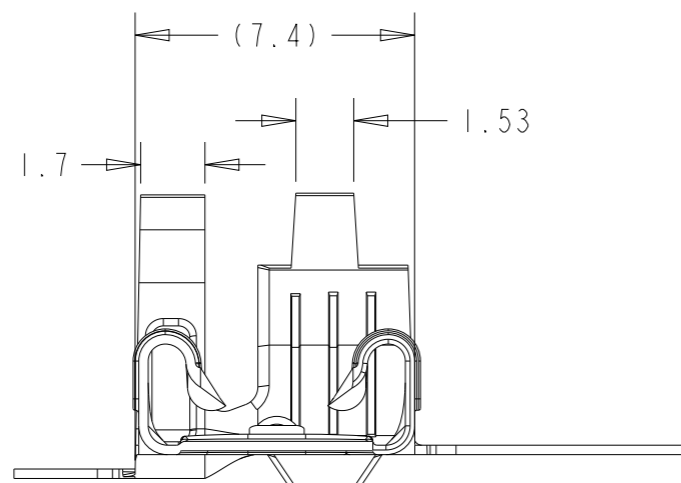
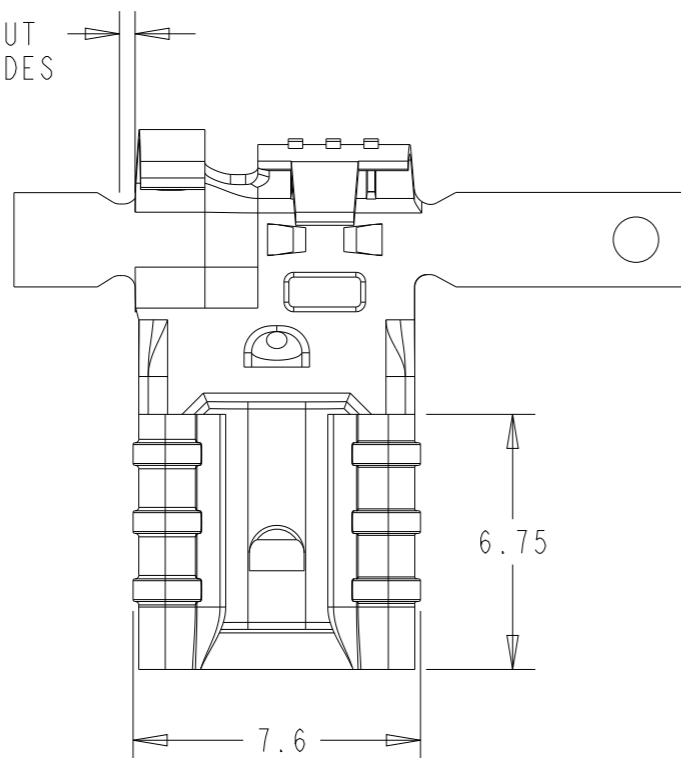


REVISIONS

P	LTR	DESCRIPTION	DATE	DWN	APVD
	A	NEW DRAWING	13AUG2021	DL	EW

0.5MAX. CUT OFF TAB ON BOTH SIDES



- 1 CONTINUOUS STRIP ON REELS
- 2 WIRE RANGE:22-16AWG; INSULATION RANGE:1.6-3.0mm²
- 3 MATING TAB THICKNESS:0.80MM

-	BRASS 0.25THICKNESS	2366409-2
PRE-TIN	BRASS 0.25THICKNESS	2366409-1
FINISH	MATERIAL	PART NUMBER

THIS DRAWING IS A CONTROLLED DOCUMENT.		DWN 26AUG2020 BASAVARAJA D A		
		CHK 26AUG2020 DAISY LI		
DIMENSIONS: mm		APVD 26AUG2020 WANG ERIC	NAME 250 FASTON FLAG RECEPTACLE	
TOLERANCES UNLESS OTHERWISE SPECIFIED: 0 PLC ± 1 PLC ±0.30 2 PLC ±0.30 3 PLC ±0.25 4 PLC ± ANGLES ±3°		PRODUCT SPEC 108-106606	RESTRICTED TO	
MATERIAL SEE TABLE		APPLICATION SPEC 114-106542	SIZE A3	CAGE CODE 00779
FINISH SEE TABLE		WEIGHT -	DRAWING NO C-2366409	REV A
CUSTOMER DRAWING			SCALE 5:1	SHEET 1 OF 1