



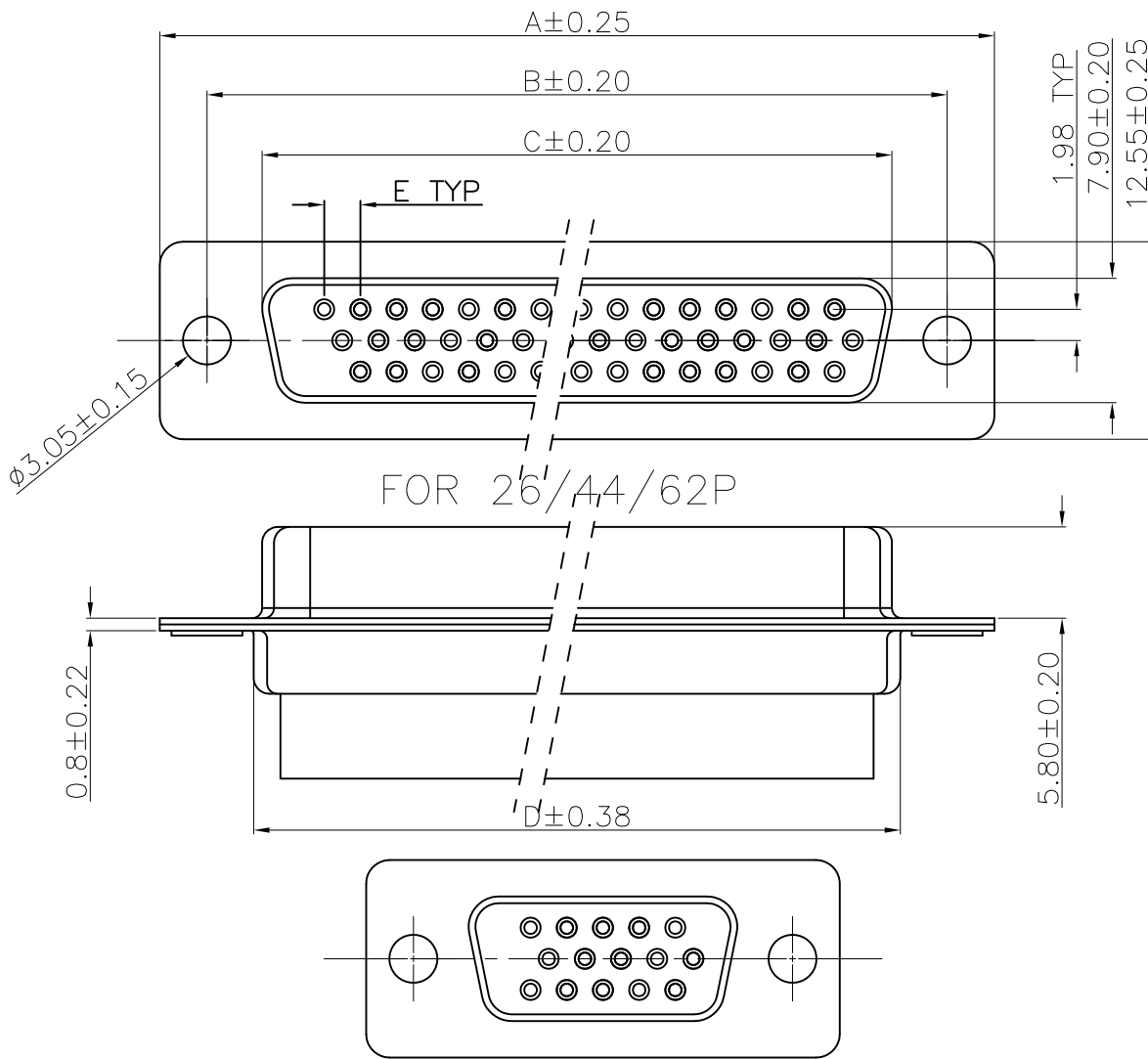
All rights strictly reserved. Reproduction or issue to third parties in any form whatever is not permitted without written authority from the proprietor. Property of FCI. Copyright FCI.

Tous droits strictement réservés. Reproduction ou communication a des tiers interdite sous quelque forme que ce soit sans autorisation écrite du propriétaire. Propriété de c FCI. Droits de reproduction FCI.

1 | 2

3 |

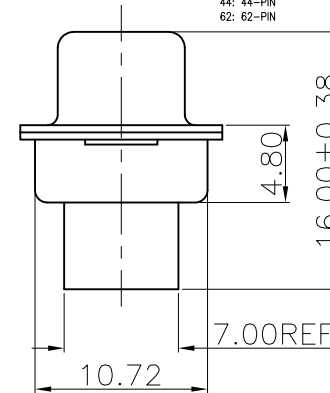
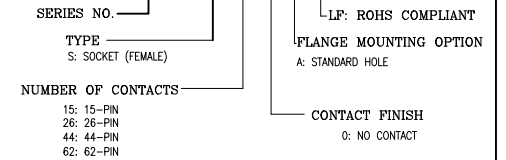
4



REMARK:

- CHARACTERISTICS:
OPERATING TEMPERATURE RANGE: -55° C~105° C
- MATERIAL:
INSULATORS: THERMOPLASTIC G.F(UL94V-0) BLACK
SHELL: CARBON STEEL, 100u" Min NICKEL TIN TOP OVER,
50u" Min COPPER UNDER PLATE.
STOPPER: CARBON STEEL.

3. PART NUMBER DESCRIPTION: 10090931-S XX X X LF



POS.	PART NO.	A	B	C	D	E
15	10090931-S150ALF	30.81	24.99	16.33	19.10	2.29
26	10090931-S260ALF	39.24	33.32	24.66	27.75	2.29
44	10090931-S440ALF	53.04	47.04	38.38	41.30	2.29
62	10090931-S620ALF	69.32	63.50	54.84	57.40	2.41

mat'l. code				tolerances unless otherwise specified				CUSTOMER COPY		FCI www.fciconnect.com	
ltr	ecn no	dr	date	linear	.X ± 0.38		projection	title			
A	T09-1157	J.H	12/10/09		.XX ± 0.25			HDEC FEMALE CRIMPING			
					.XXX ± 0.10						
				angles	0° ± 2°		MM		product family D-SUB		code TWN
				dr	JASON HSU	12/10/09	scale		size		sheet
				enr	JASON HSU	12/10/09	1:1		10090931		1 of 2
				chr	GARY HSIEH	12/10/09					
				appd	JOSEPH HSIA	12/10/09					
sheet index	revision sheet	A	A								
		1	2								

1 | 2

3 |

4

Tous droits strictement réservés. Reproduction ou communication a des tiers interdite sous quelque forme que ce soit sans autorisation écrite du propriétaire. Propriete de c FCI. Droits de reproduction FCI.

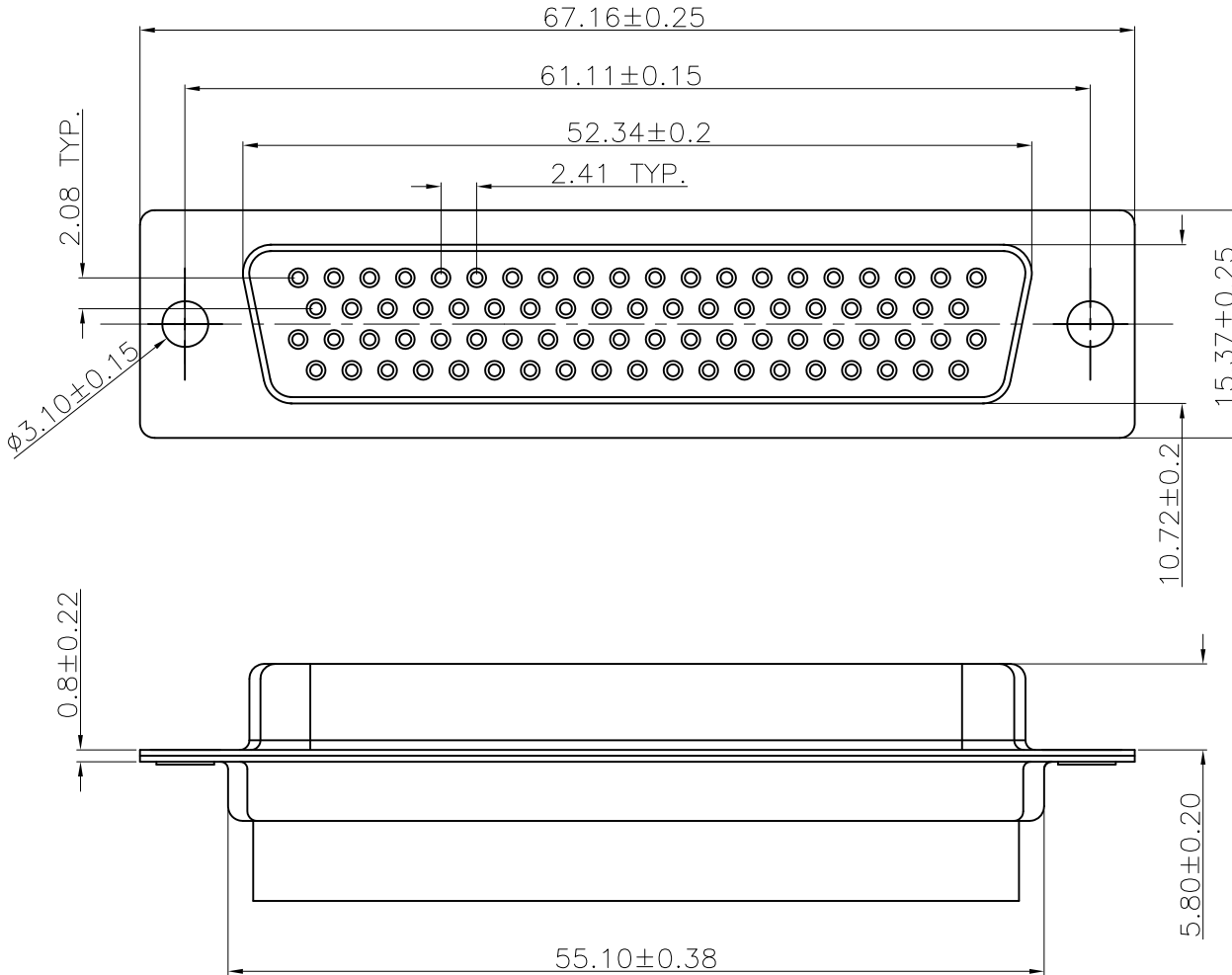


All rights strictly reserved. Reproduction or issue to third parties in any form whatever is not permitted without written authority from the proprietor. Property of FCI. Copyright FCI.

1 | 2

3

4



REMARK:

1. CHARACTERISTICS:

OPERATING TEMPERATURE RANGE: $-55^{\circ}C \sim 105^{\circ}C$

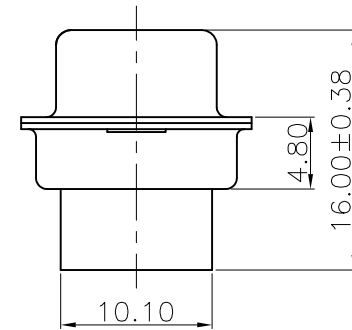
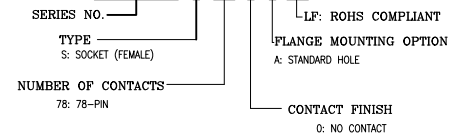
2. MATERIAL:

INSULATORS: THERMOPLASTIC G.F(UL94V-0) BLACK

SHELL: CARBON STEEL, 100u" Min NICKEL TIN TOP OVER,
50u" Min COPPER UNDER PLATE.

STOPPER: CARBON STEEL.

3. PART NUMBER DESCRIPTION: **10090931-S XX X X LF**



PART NO.: 10090770-S780ALF

mat'l. code				tolerances unless otherwise specified			CUSTOMER COPY		FCI www.fciconnect.com		
ltr	ecn no	dr	date	linear	.X ± 0.38		projection	title			
A					.XX ± 0.25			HDEC 78P FEMALE CRIMPING	product family D-SUB		code
					.XXX ± 0.10				MM	size dwg no	
				angles	0' $\pm 2'$		scale	A4		sheet	
				dr	JASON HSU	12/10/09	1:1	10090931		2 of 2	
				enr	JASON HSU	12/10/09					
				chr	GARY HSIEH	12/10/09					
				appd	JOSEPH HSIA	12/10/09					
sheet index	revision sheet										

1 | 2

3

4