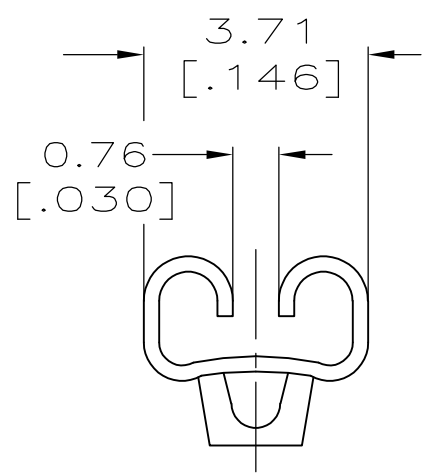
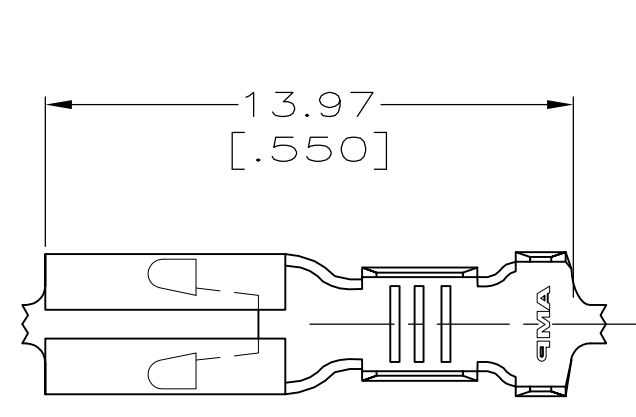


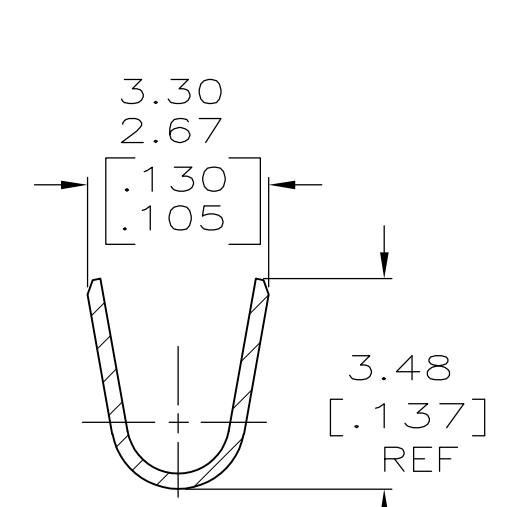
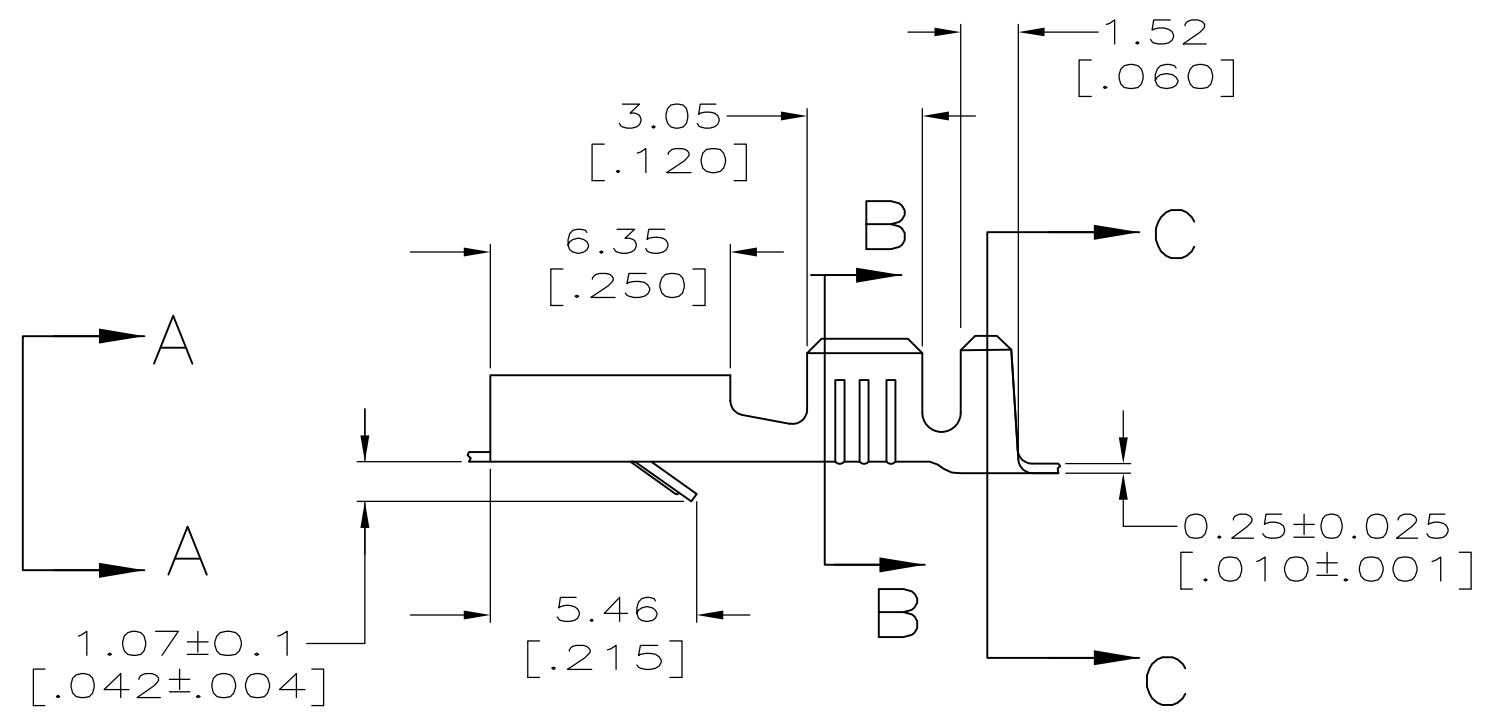
THIS DRAWING IS UNPUBLISHED. RELEASED FOR PUBLICATION
 © COPYRIGHT - By - ALL RIGHTS RESERVED.

LOC	DIST	REVISIONS			
P	LTR	DESCRIPTION	DATE	DWN	APVD
AF	50	J	REVISED PER ECR-13-005733	22AUG2013	KH PD

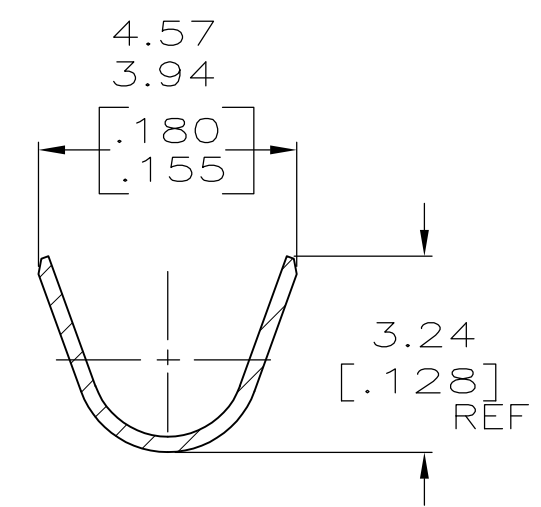


VIEW A-A
SCALE 8:1

- 1 CONTINUOUS STRIP ON REELS.
 - 2 MATING TAB THK TO BE 0.81 ± 0.025 [0.032±.001].
 - 3 WIRE SIZE IS [#18-#14] AWG.
 - 4 INSULATION RANGE IS 1.52-2.79 [0.060-.110] DIA.
- 5 PRELIMINARY - NOT FOR PRODUCTION



SECTION B-B
SCALE 8:1



SECTION C-C
SCALE 8:1

	0.00381 [0.000150] MIN SILVER	5	1217321-3
	PRE-TIN		1217321-2
OBSOLETE	0.002032 [0.000080] MIN TIN		1217321-1
	FINISH		PART NO.

THIS DRAWING IS A CONTROLLED DOCUMENT.		DWN	JR RUTH	20JAN00	TE Connectivity RECEPTACLE, FASTIN-FASTON, 2.79 [0.110] SERIES								
DIMENSIONS: mm [INCHES]		CHK	MS FEHER	20JAN00				NAME					
TOLERANCES UNLESS OTHERWISE SPECIFIED:		APVD	D BRATINA	20JAN00				PRODUCT SPEC					
0 PLC ± - 1 PLC ± - 2 PLC ± 0.38 [0.015] 3 PLC ± - 4 PLC ± - ANGLES ± -		APPLICATION SPEC		114-2065									
MATERIAL	BRASS	FINISH	SEE TABLE	WEIGHT	-	SIZE	A3	CAGE CODE	00779	DRAWING NO	C-1217321	RESTRICTED TO	-
CUSTOMER DRAWING						SCALE	5:1	SHEET	1 OF 1	REV	J		