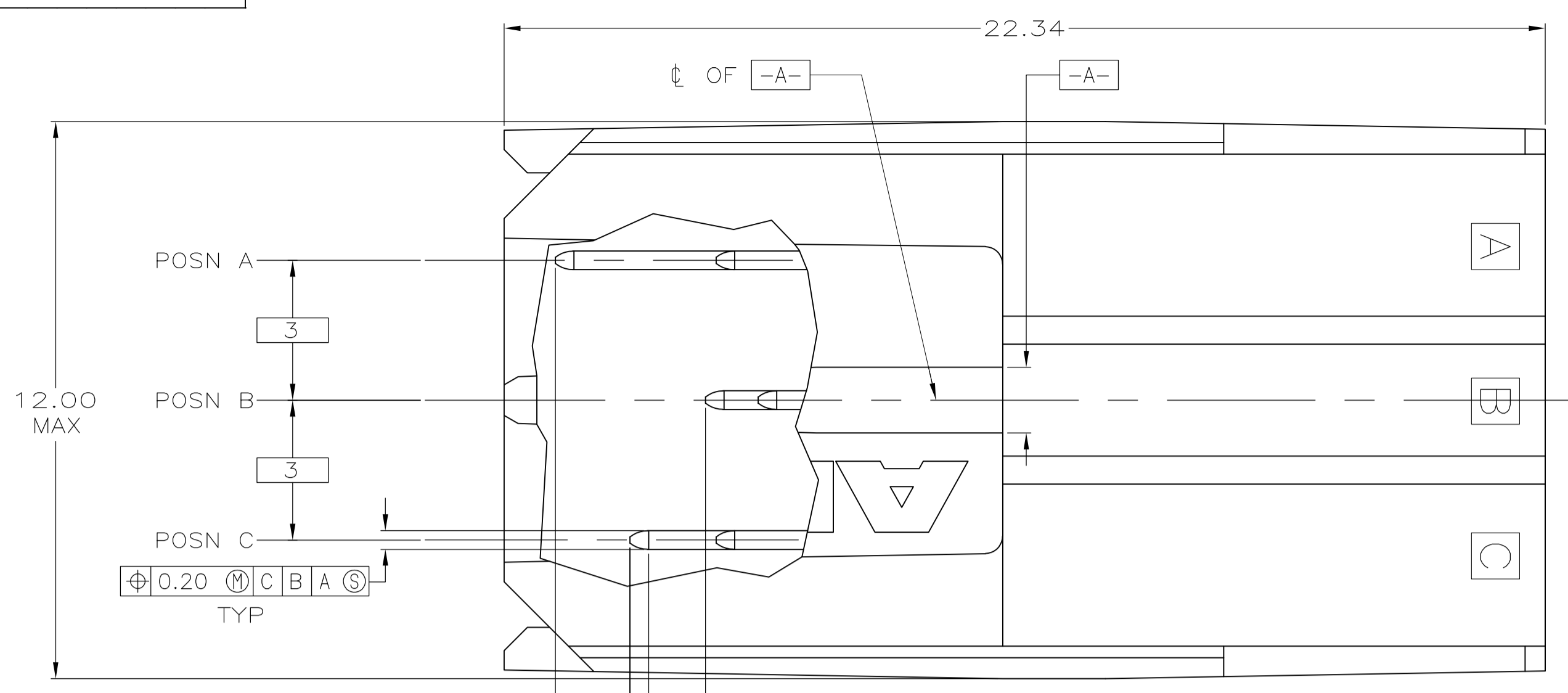
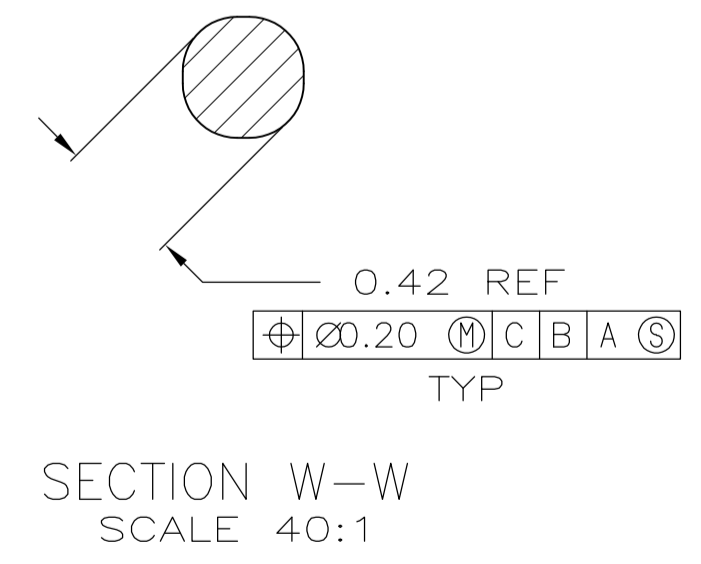
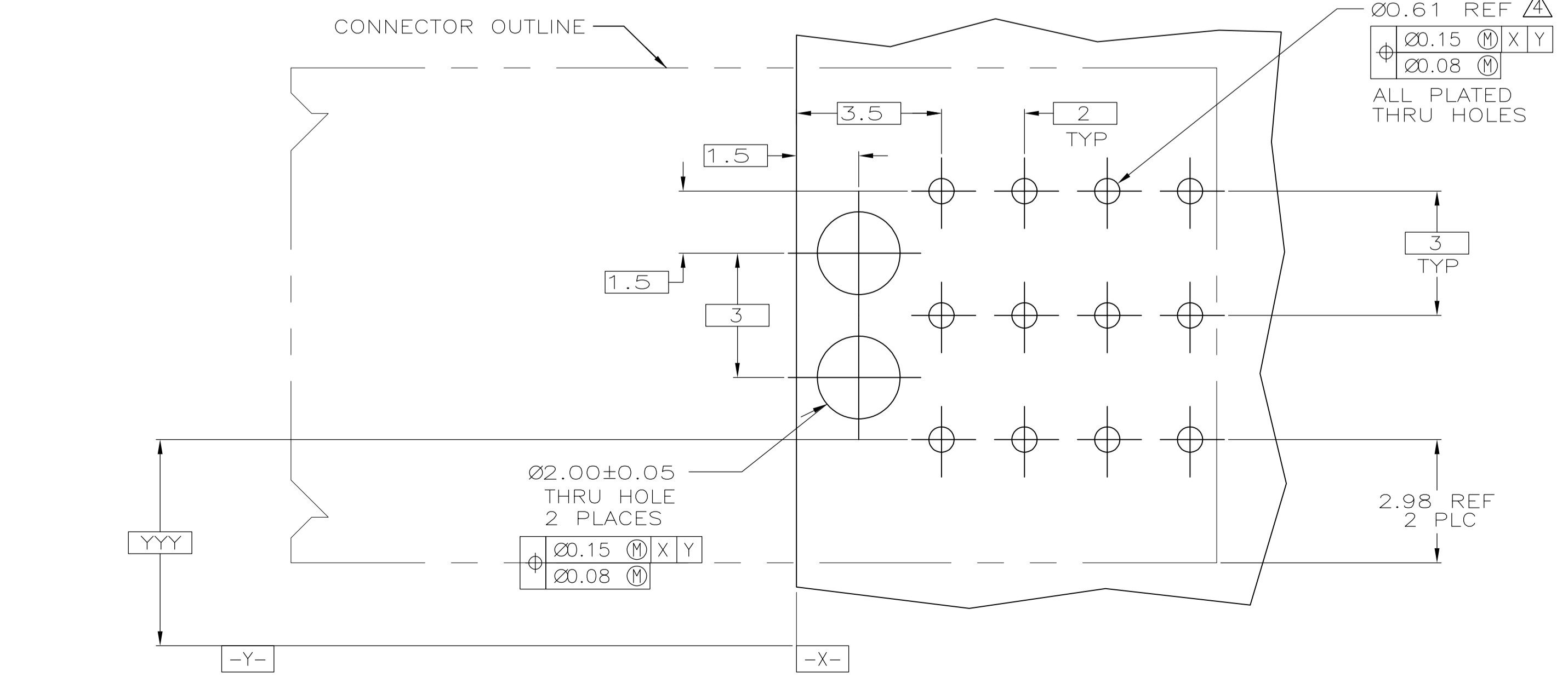
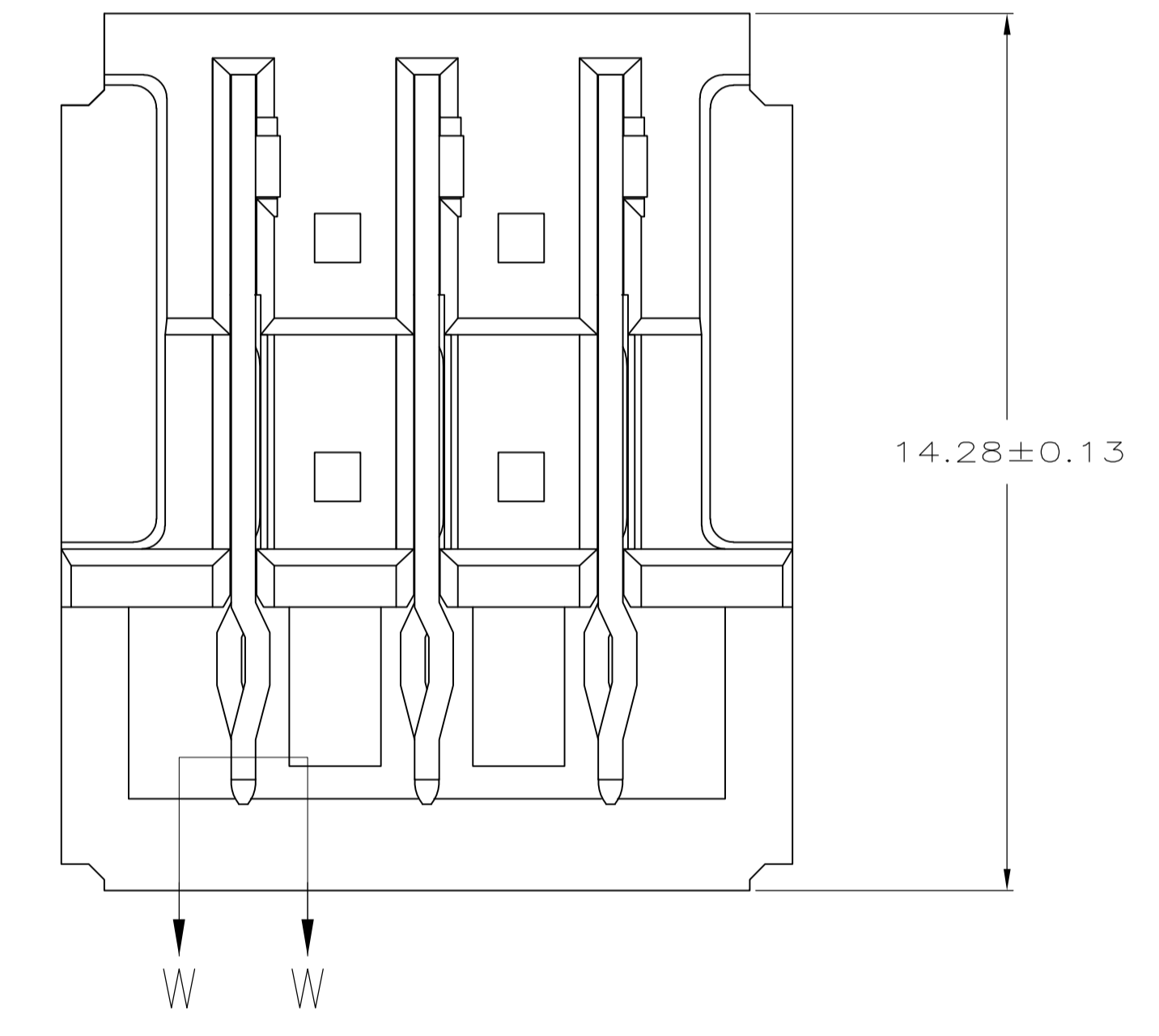
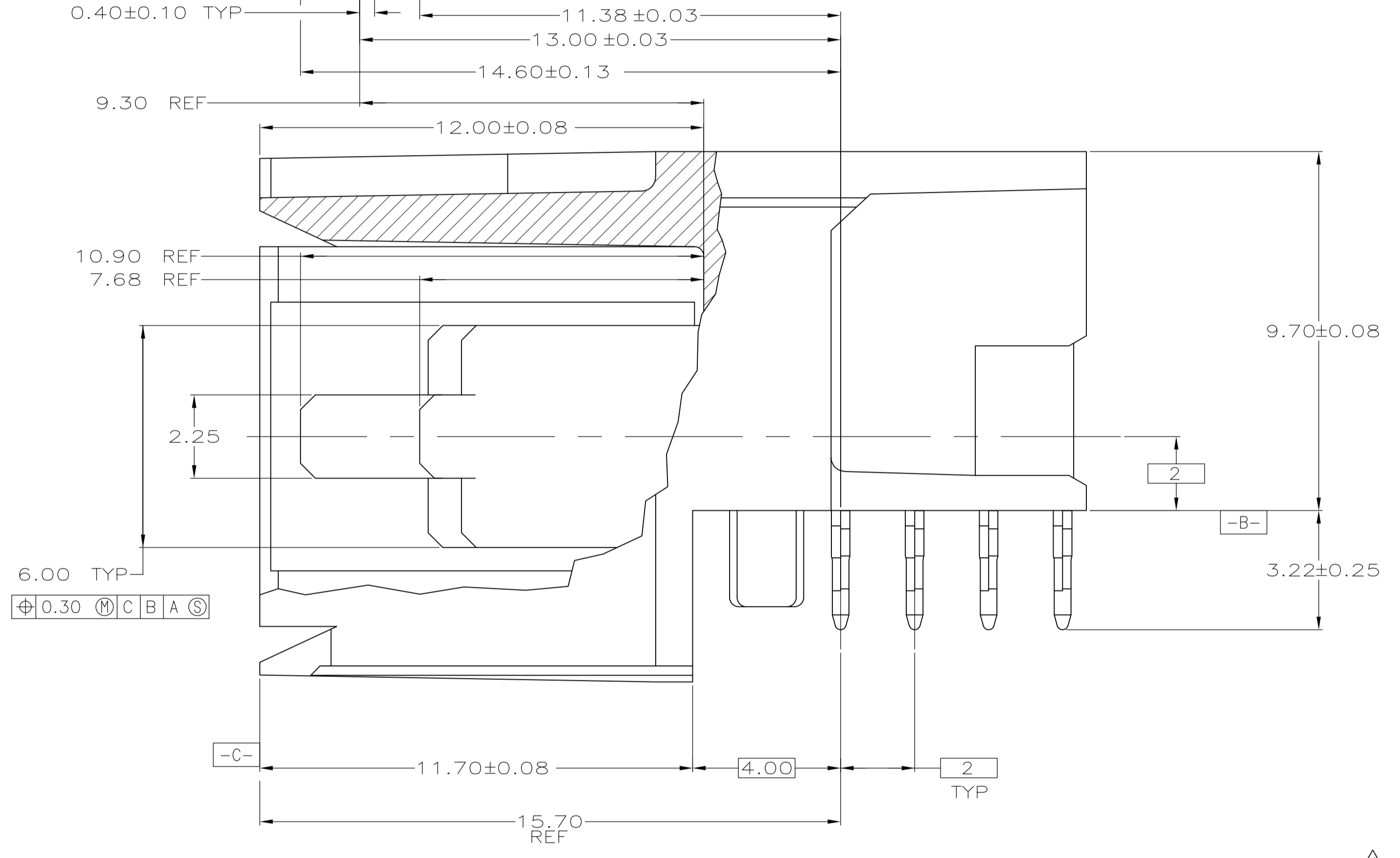
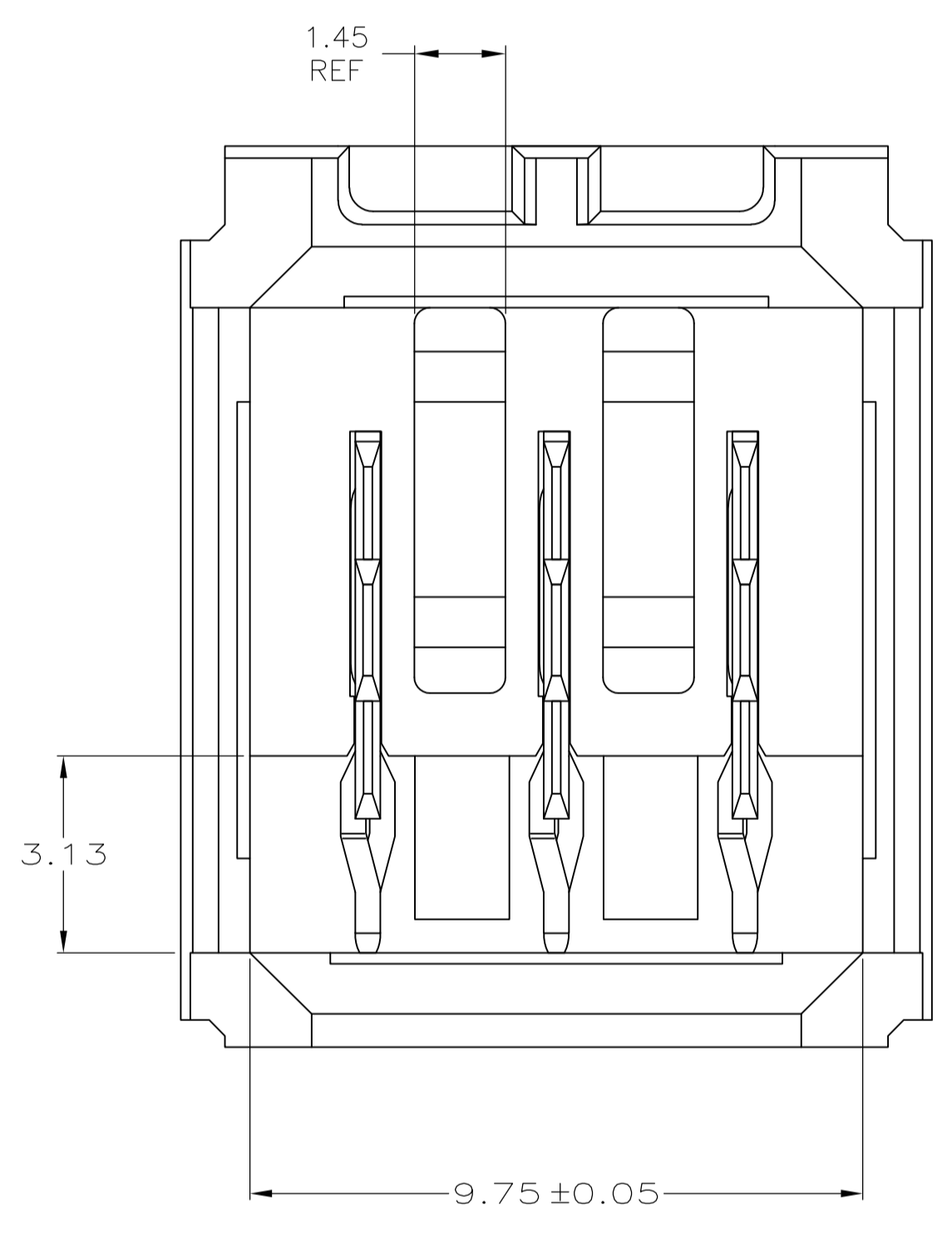


LOC		DIST		REVISIONS			
F	LTR	DATE	DMN	APVD			
F	REVISED PER ECO-11-000045	04JAN11	DH	DY			



- ⚠ MATERIAL: HOUSING: POLYESTER. COLOR: GRAY. UL 94V-0.
CONTACT: PHOSPHOR BRONZE.
- ⚠ FINISH: CONTACT MATING AREA: 1.27µm MIN GOLD OR 0.08µm MIN GOLD OVER 0.76µm MIN PALLADIUM-NICKEL.
ACTION PIN AREA: 0.5µm MIN TIN LEAD PLATE,
ALL OVER 1.27µm MIN NICKEL UNDERPLATE.
- ⚠ FINISH: CONTACT LUBRICATION WITH BELLCORE APPROVED LUBRICANT. TECHNICAL REFERENCE: TR-NWT-001217 ISSUE 1, SEPT 1992.
- ⚠ REFERENCE APPLICATION SPEC 114-1103 FOR RECOMMENDED PLATED THRU HOLE DIAMETER AND PLATING THICKNESSES.
- 5. CURRENT RATING 10A/CONTACT PER PRODUCT SPEC 108-1651.



223971-1
PART NUMBER

THIS DRAWING IS A CONTROLLED DOCUMENT.		DIN J.LOCONDR0 23MAR98	Tyco Electronics Corporation Harrisburg, PA 17105-3608
DIMENSIONS: mm		CHK R.A.PATTERSON 23MAR98	
TOLERANCES UNLESS OTHERWISE SPECIFIED:		APP'D R.A.PATTERSON 23MAR98	NAME
0 PLC ± -	1 PLC ± -	PRODUCT SPEC	ASSEMBLY, RIGHT ANGLE HEADER, W/ RETENTION PEGS, UNIVERSAL POWER MODULE
2 PLC ± 0.13	3 PLC ± -	APPLICATION SPEC	SIZE CAGE CODE DRAWING NO
4 PLC ± -	ANGLES ± -	RESTRICTED TO	A1 00779 C=223971
MATERIAL	FINISH	WEIGHT	CUSTOMER DRAWING SCALE 10:1 SHEET 1 OF 1 REV F