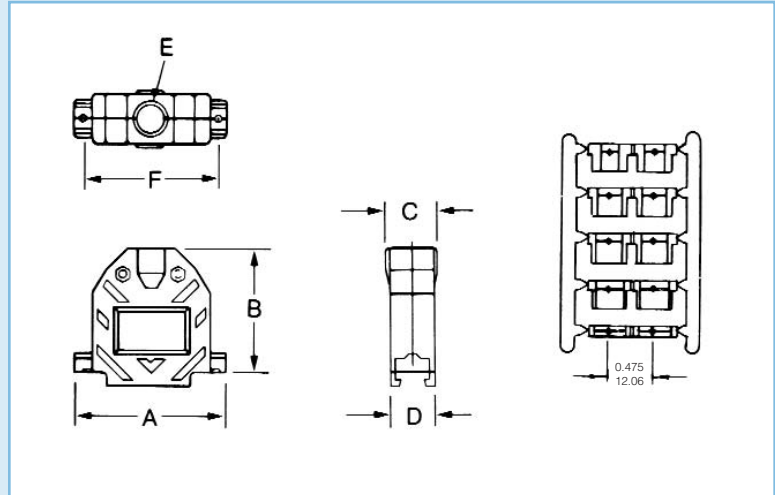


Amphenol's black plastic backshell accommodates most standard and high-density D-Subminiature connectors and is appropriate for most cable assemblies. This version is economical and highly durable. The split-grommet insert provides cable strain relief while making it easy to assemble.

SPECIFICATIONS:

Housing Material: Styrene (UL 94 VO)
Grommet Material: Polypropylene
Mounting Hardware: Steel, clear zinc finish

* All materials are RoHS Compliant



DIMENSIONS AND ORDERING INFORMATION

| Shell Size | Standard # of Contacts | Hi-Density # of Contacts | Part # | Dimensions | | | | | | Cable Diameter Range | |
|------------|------------------------|--------------------------|------------|------------------|------------------|------------------|------------------|------------------|------------------|----------------------|------------------|
| | | | | A | B | C | D | E | F | Minimum | Maximum |
| E | 9 | 15 | 17E-1724-1 | 1.217 (30.91) | 1.547 (39.29) | 0.640 (16.26) | 0.640 (16.26) | 0.400 (10.16) | 0.984 (24.99) | 0.210 (5.33) | 0.350 (8.89) |
| A | 15 | 26 | 17E-1725-1 | 1.545 (39.24) | 1.505 (38.23) | 0.640 (16.26) | 0.640 (16.26) | 0.400 (10.16) | 1.312 (33.32) | 0.210 (5.33) | 0.350 (8.89) |
| B | 25 | 44 | 17E-1726-1 | 2.090 (53.08) | 1.655 (42.04) | 0.710 (18.03) | 0.640 (16.26) | 0.522 (13.26) | 1.857 (47.17) | 0.230 (5.84) | 0.450 (11.43) |
| C | 37 | 62 | 17E-1727-1 | 2.734 (69.44) | 1.830 (46.48) | 0.906 (23.01) | 0.640 (16.26) | 0.726 (18.44) | 2.500 (63.50) | 0.350 (8.89) | 0.640 (16.26) |
| D | 50 | 78 | 17E-1728-1 | 2.645 (67.18) | 1.855 (47.12) | 0.940 (23.88) | 0.770 (19.56) | 0.726 (18.44) | 2.406 (61.11) | 0.350 (8.89) | 0.640 (16.26) |