



Specifications

Electrical Ratings	50mA @ 50VDC	Dielectric Strength	250Vrms min
Electrical Life	100,000 cycles typical	Insulation Resistance	>100MΩ min
Contact Resistance	<50mΩ initial	Operating Temperature	-40°C to 85°C
Actuation Force	160 ± 50gF	Storage Temperature	-40°C to 85°C
Actuation Travel	.25 ± .1mm		

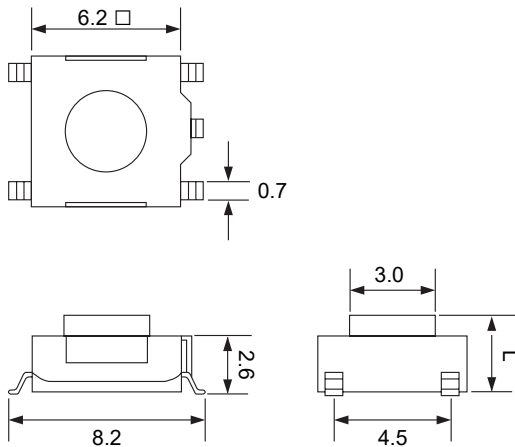
Materials

Actuator	4/6 Nylon
Housing	4/6 Nylon
Cover	Steel
Contacts	Phosphor Bronze, Silver Plated
Terminals	Brass, Silver Plated

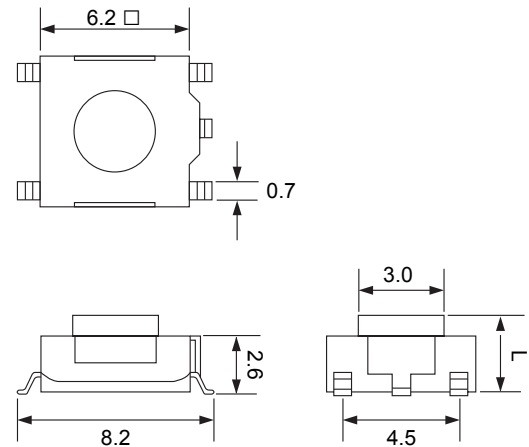
Ordering Information

1. Series	CS1109	2.9
	CS1109	
	CS1109A with grounding pin	
2. Actuator Length "L" mm		
	2.6	
	2.9	
	3.1	

Dimensions

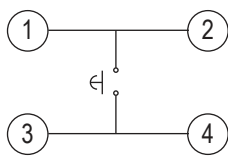


CS1109

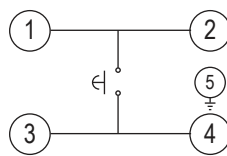


CS1109A

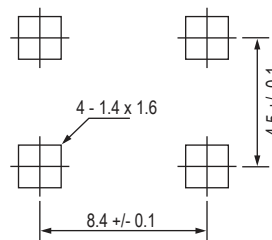
Schematic & PC Layout



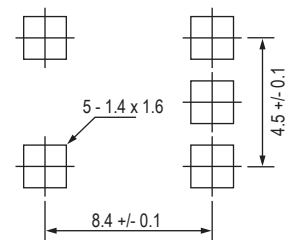
CS1109



CS1109A



CS1109



CS1109A