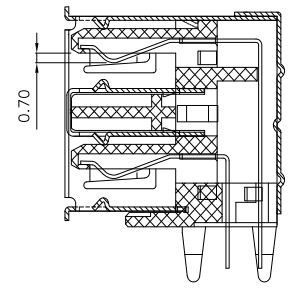
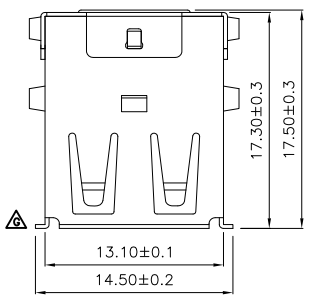
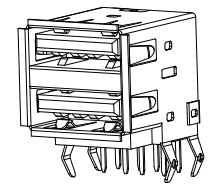
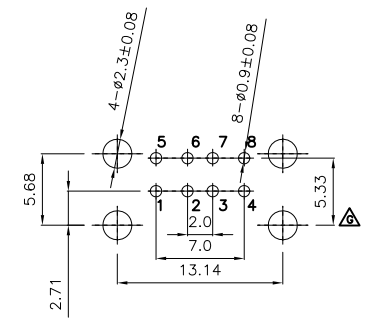
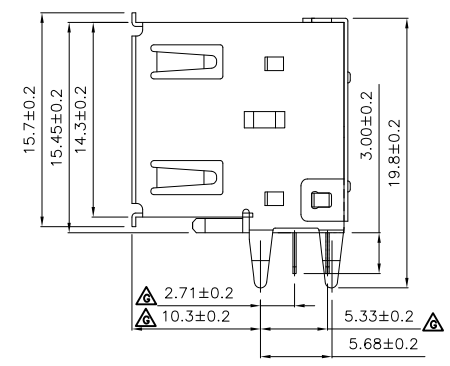
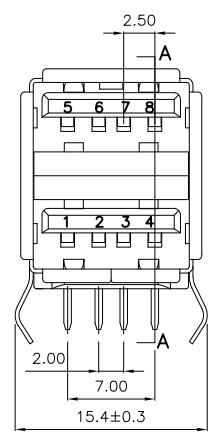


1 2 3 4 5



Section A-A

Specifications:
 Current Rating:1.5A AC/DC
 Voltage Rating:30V AC/DC
 Contact Resistance:30m ohm. Max.
 Insulation Resistance:1,000M ohm. min.
 Withstanding Voltage:500V AC For One Minute
 Operating Temperature Range:-40°C ~ +105°C
 Material and Finish
 Insulator:PBT (UL94V-0)
 Insulator Color:Black
 Contact:Brass
 Plating:30u" Gold Plated on Contact Area,
 Tin Plated on Solder Tail.
 Shell:Brass,Nickel Plated
 Back Cover:Brass,Nickel Plated



PCB layout

RoHS Compliant

				DRAWN:	GENERAL TOLERANCE: .X=±0.20 .XX=±0.15	<h1 style="text-align: center; color: red;">CnC Tech</h1> <p style="text-align: center;">Industrial Cable and Connector Technology</p>	
				CHECKED:	UNIT: MM		
G	02-Jul-2013				SCALE:1:1	USB A Double Socket R/A,30u"	SIZE
F	01-Jun-2011				SHEET: 1 / 2		A4
E	03-May-2011			APPROVAL:	PROJECTION:	PART NO:	
REV	DATE	FILE	BY			1002-004-01010	

A
B
C
D

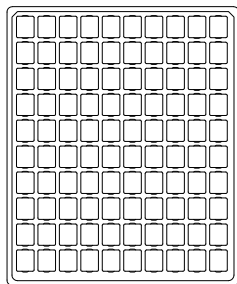
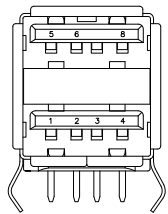
1

2

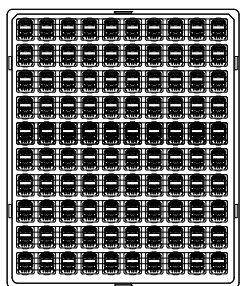
3

4

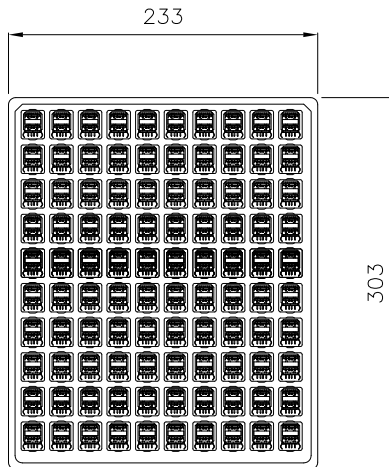
5



TRAY



10 TRAYS



Note:

1.Dimension:

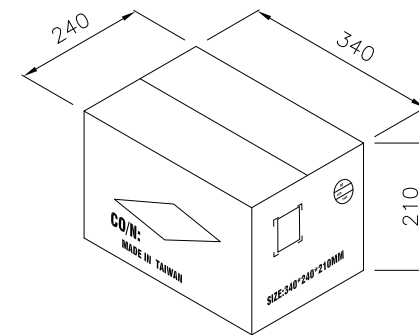
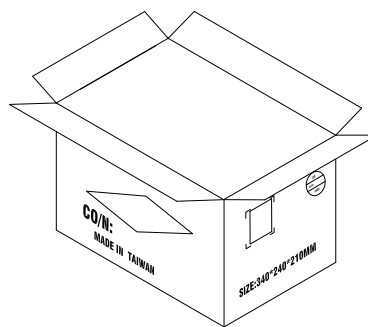
Carton Size:340X240X210 (mm)

2.Quantty:

100 Pcs/Tray

10 Tray/Carton

Q'TY: 1000pcs



CARTON

RoHS Compliant

				DRAWN:	GENERAL TOLERANCE: .X=±0.20 .XX=±0.15	<h1 style="color: red; text-align: center;">CnC Tech</h1> <p style="text-align: center;">Industrial Cable and Connector Technology</p>	
				CHECKED:	UNIT: MM		
G	02-Jul-2013				SCALE:1:1	USB A Double Socket R/A,30u"	SIZE
F	01-Jun-2011				SHEET: 2 / 2	PART NO:	A4
E	03-May-2011			APPROVAL:	PROJECTION:	1002-004-01010	
REV	DATE	FILE	BY				

A

B

C

D