

PART NO.	ENGINEERING NO.	FINISHED LENGTH
1300062144	104007A01M020	2.0M [6'7"]
1300062609	104007A01M017	1.7M [5'7"]

**CABLE LENGTH TOLERANCES**

<.3M [1FT]: +19mm-0 [+ .75in-0]

.3 - .9M [1 - 3FT]: +44.5mm-0 [+1.75in-0]

.9 - 1.8M [3 - 6FT]: +55.6mm-0 [+2.19in-0]

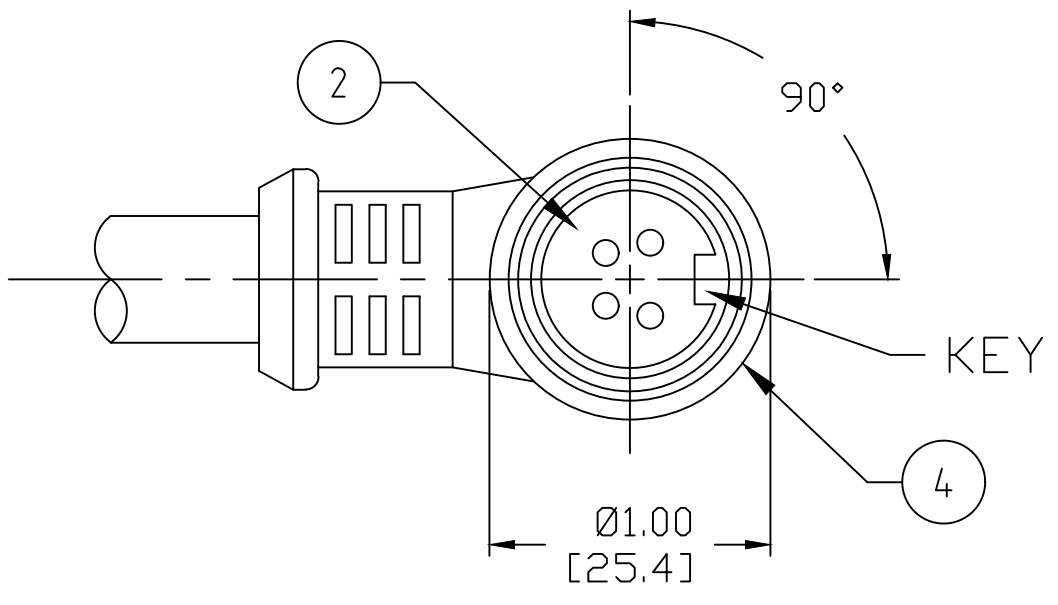
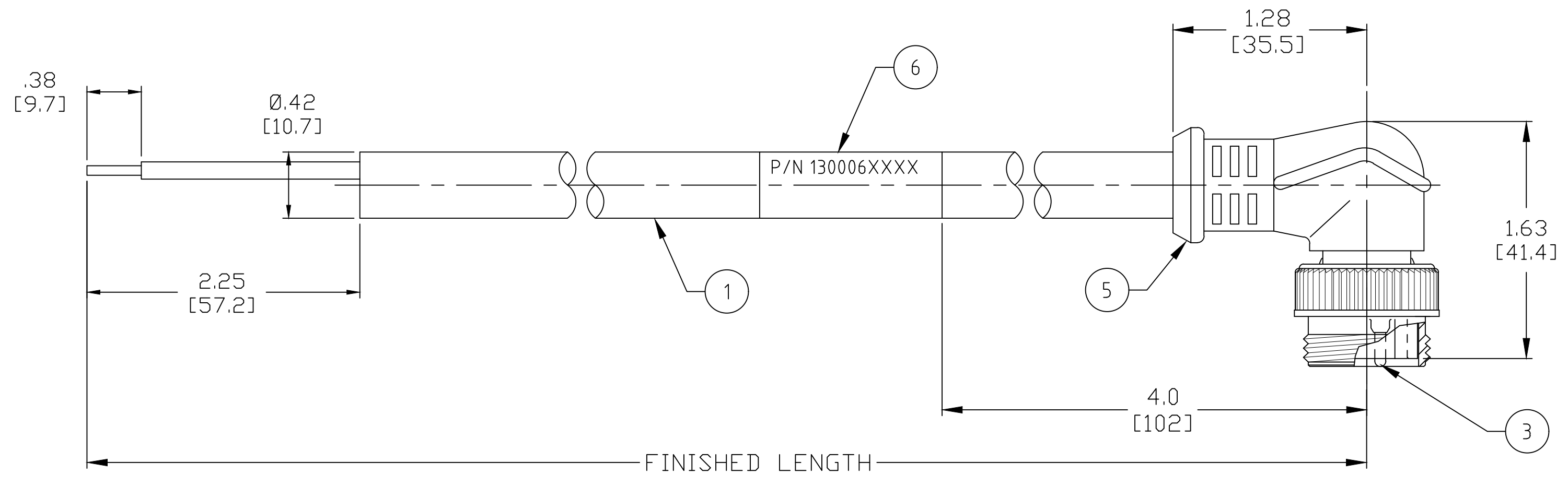
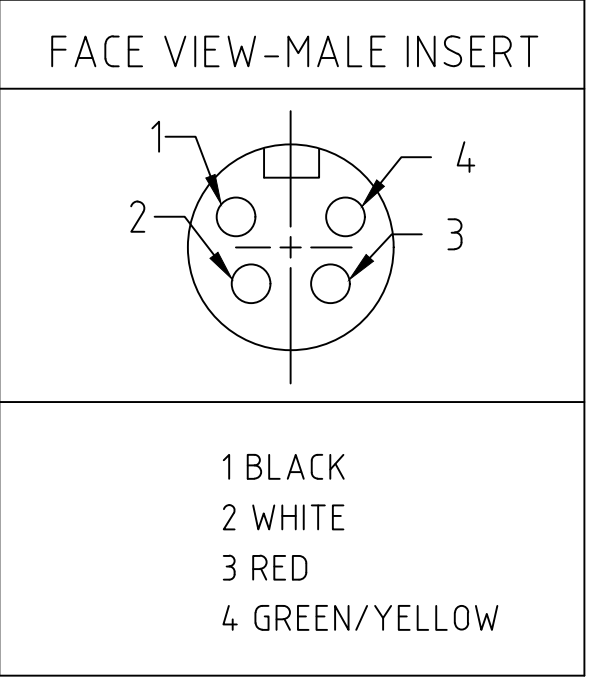
1.8 - 3.7M [6 - 12FT]: +88.9mm-0 [+3.50in-0]

3.7 - 7.3M [12 - 24FT]: +165.1mm-0 [+6.50in-0]

7.3-14.6M [24 - 48FT]: +317.5mm-0 [+12.50in-0]

14.6 - 30.5M [48-100FT]: +622.3mm-0 [+24.50in-0]

OVER 30M [100FT] +2% OF FINISHED LENGTH



- NOTES:**
- MATERIAL: AS NOTED
  - FINISH: AS NOTED
  - ELECTRICAL:  
VOLTAGE: 483V PER IEC 60664  
600V PER UL 2238  
CURRENT: 10A
  - TEMP RATING: -20°C TO +105°C
  - PROTECTION: IP67 (WHEN MATED)
  - COUPLING THREAD: 7/8-16 UN
  - UL RECOGNIZED FILE: E152210  
CSA CERTIFIED FILE: LR6837
  - ALL DIMS ARE FOR REFERENCE UNLESS TOLERANCED OR NOTED OTHERWISE

**PART NUMBER LEGEND**

104007A01M020

FINISHED LENGTH:  
M005= 0.5 METER  
M010= 1.0 METER  
M100= 10.0 METERS

ITEM	DESCRIPTION	MATERIAL	FINISH
6	WRAP LABEL	VINYL	BLACK/YELLOW
5	OVERMOLD	TPE	YELLOW
4	COUPLING, MALE	ZINC-DIE-CAST	BLACK E-COAT
3	CONTACT PIN	Cu ALLOY	GOLD PLATED
2	INSERT, MALE	TPE	YELLOW
1	CABLE, 16 AWG, PVC	PVC JACKET	YELLOW

THIS DRAWING CONTAINS INFORMATION THAT IS PROPRIETARY TO MOLEX ELECTRONIC TECHNOLOGIES, LLC AND SHOULD NOT BE USED WITHOUT WRITTEN PERMISSION

FUNCTIONAL SYMBOLS	DIMENSION UNITS	SCALE	CURRENT REV DESC: OBSOLETE PART NUMBER AS PER PCN#509457.	
	INCH/MM	1:1		
DIVISIONAL SYMBOLS	GENERAL TOLERANCES (UNLESS SPECIFIED)		EC NO: 680890	
		mm	INCH	DRWN: SANTHN 2021/08/09
	4 PLACES	±----	±----	CHK'D: SANTHN 2021/11/08
	3 PLACES	±----	±----	APPR: GGA 2021/11/25
	2 PLACES	±----	±----	INITIAL REVISION:
	1 PLACE	±----	±----	DRWN: RSTONE 2020/11/17
	0 PLACES	±----	±----	APPR: BWOODMAN 2020/11/30
	ANGULAR TOL ± ---- °		THIRD ANGLE PROJECTION	
	DRAFT WHERE APPLICABLE MUST REMAIN WITHIN DIMENSIONS		DRAWING	SERIES
			C-SIZE	130006

<b>molex</b>	
MINI-CHANGE SINGLE ENDED CABLE ASSEMBLY	
4 POLE, MALE 90 DEG, SINGLE KEY, 16AWG PVC CABLE	
PRODUCT CUSTOMER DRAWING	
DOCUMENT NUMBER	DOC TYPE/DOC PART/REVISION
1300062609	PSD 000 B
MATERIAL NUMBER	CUSTOMER
SEE P/N LEGEND	GENERAL MARKET
SHEET NUMBER	1 OF 1