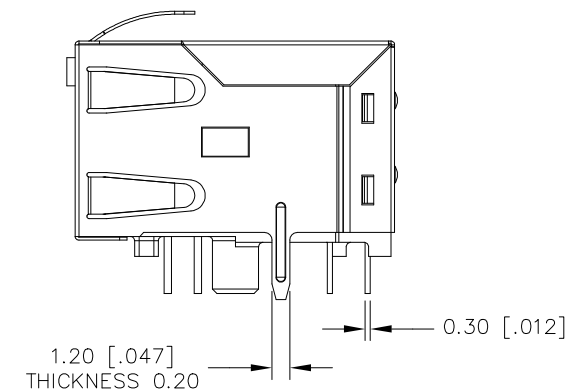
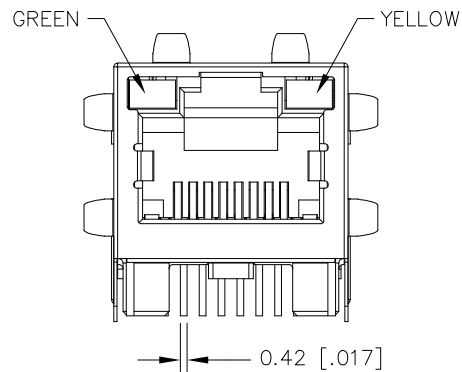
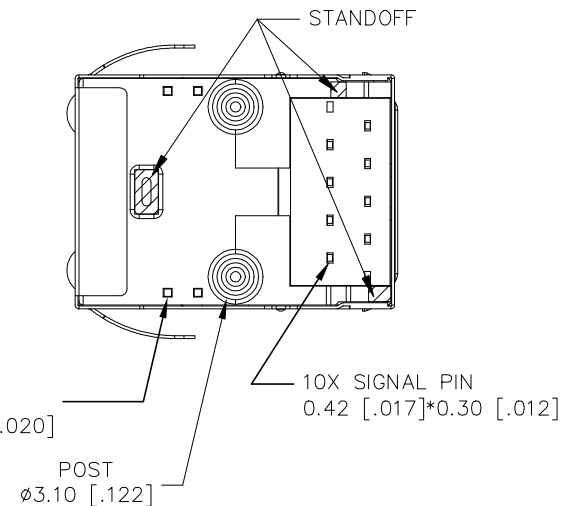
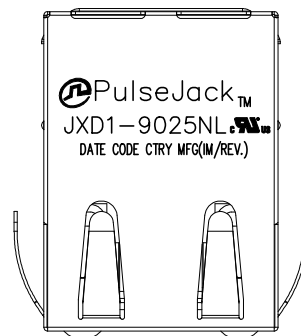




NOTES:

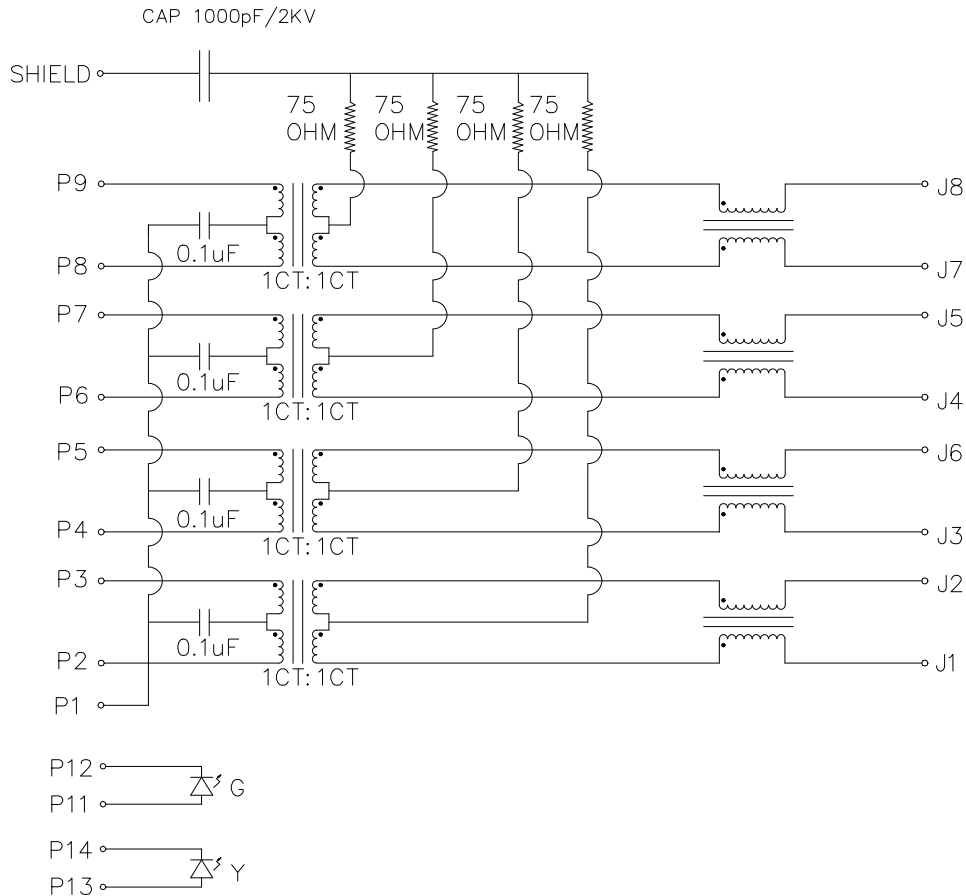
- CONNECTOR MATERIAL:
HOUSING: LCP BLACK UL94 V-0
INSERTER: LCP BLACK UL94 V-0
SHIELD: BRASS
SHIELD PLATING: NICKEL
CONTACT: COOPER ALLOY
CONTACT PLATING: SELECTIVE GOLD, 30 MICRO-INCHS MIN IN CONTACT AREA
- PIN NOT ELECTRICALLY CONNECTED MAYBE OMITTED SEE ELECTRICAL DRAWING FOR OMITTED PINS
- RJ45 CAVITIES CONFORM TO FCC RULES AND REGULATION PART 68.
- THE PART IS RECOMMENDED FOR REFLOW SOLDERING PROCESS PEAK SOLDERING TEMPERATURE IS 245°C MAX, 10 SECS MAX
- OPERATING TEMPERATURE T=-40°C TO +85°C.
- STORAGE TEMPERATURE T=-40°C TO +85°C.



FINAL OUTLINE

© Copyright, 2019. Pulse Electronics Corp. All rights reserved. Pulse confidential & proprietary. (02/22/19)

PRODUCT DESCRIPTION	TLA DRAWING	PS DRAWING	SHEET	PART NO.	DATASHEET REV.
CONN,RJ45,1X1,1GD,1:1,1,TY	JXD1-9025NL-P1	-	1 OF 6	JXD1-9025NL	A



SCHEMATIC

ELECTRONICAL SPECIFICATIONS:

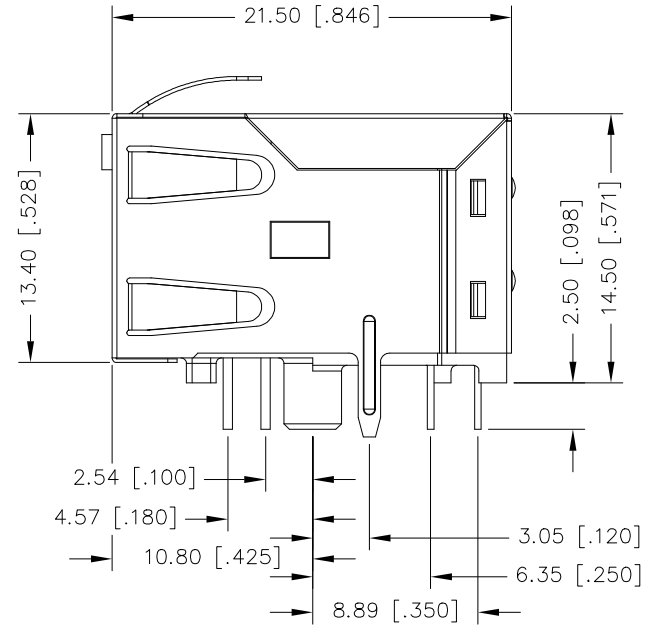
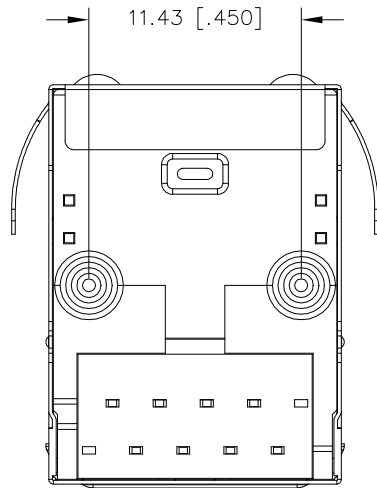
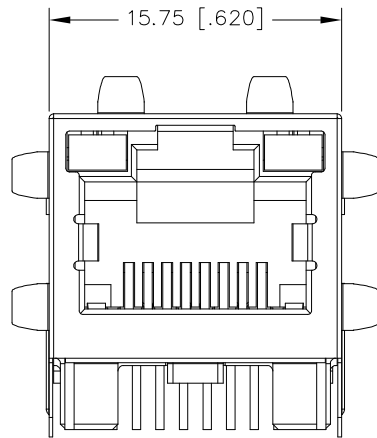
- TURN RATIO @100KHZ: (P2~P3):(J1~J2) = 1:1±5%
(P4~P5):(J3~J6) = 1:1±5%
(P6~P7):(J4~J5) = 1:1±5%
(P8~P9):(J7~J8) = 1:1±5%
- PRIMARY INDUCTANCE: 350uH MIN @100KHZ,0.1V 8mA DC BIAS
- DC RESISTANCE: 1.2 OHMS MAX
- INSERTION LOSS: 1-100MHz -1.0dB MAX
100-125MHz -1.2dB MAX
- RETURN LOSS: 1-40MHz -16dB MIN
40-60MHz -12dB MIN
60-80MHz -10dB MIN
80-100MHz -8dB MIN
- CROSS TALK: 1-100MHz -30dB MIN
- COMMON TO COMMON MODE ATTENUATION: 1-100MHz -30dB MIN
- ISOLATION: PHY SIDE TO LINE SIDE: 2250VDC

LED SPECIFICATION:

STANDARD LED	WAVELENGTH	FORWARD V(MAX)	TYP
GREEN	565nm	2.4V	2.2V
YELLOW	590nm	2.5V	2.1V

*WITH A FORWARD CURRENT OF 20mA

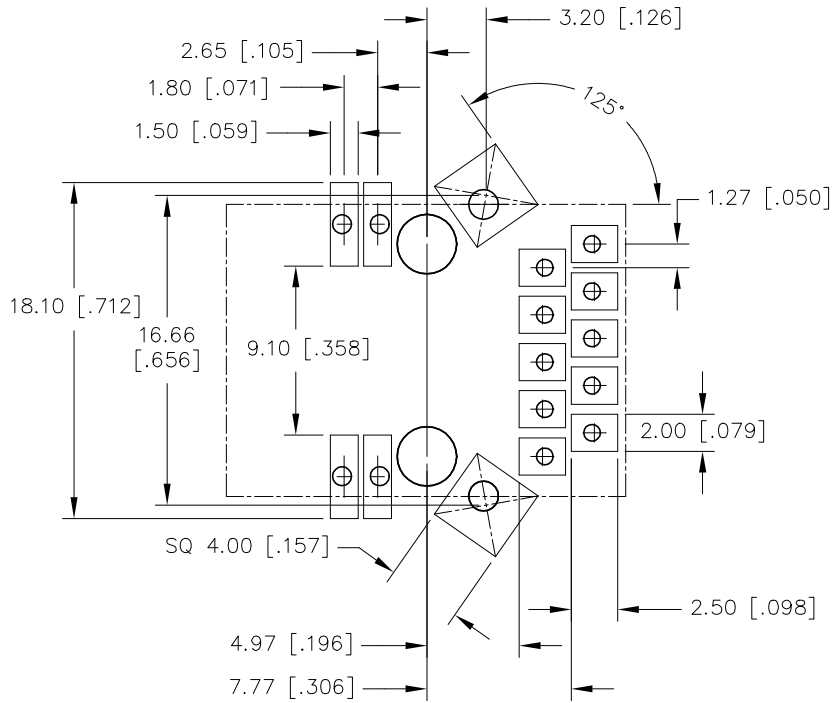
PRODUCT DESCRIPTION	TLA DRAWING	PS DRAWING	SHEET	PART NO.	DATASHEET REV.
CONN,RJ45,1X1,1GD,1:1,TY	JXD1-9025NL-P1	-	2 OF 6	JXD1-9025NL	A



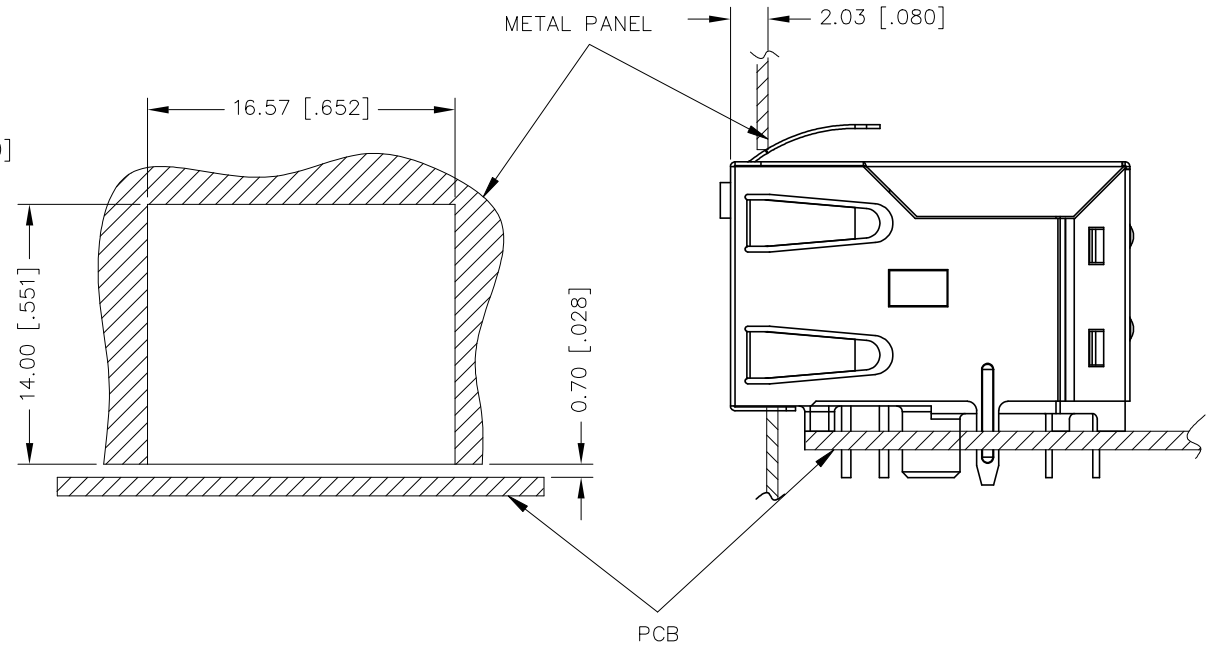
DIMENSIONS ARE IN MILLIMETERS [INCHES] WITH THE FOLLOWING
 TOLERANCES: [INCHES] ARE FOR REFERENCE ONLY.
 X.XX= ±0.25 [±.010]

© Copyright, 2019. Pulse Electronics Corp. All rights reserved. Pulse confidential & proprietary. (02/22/19)

PRODUCT DESCRIPTION	TLA DRAWING	PS DRAWING	SHEET	PART NO.	DATASHEET REV.
CONN,RJ45,1X1,1GD,1:1,TY	JXD1-9025NL-P1	-	3 OF 6	JXD1-9025NL	A



RECOMMENDED STENCIL DESIGN WITH 0.2mm THICKNESS
BASE ON 1.60MM THICKNESS PCB
(COMPONENT SIDE SHOWN)

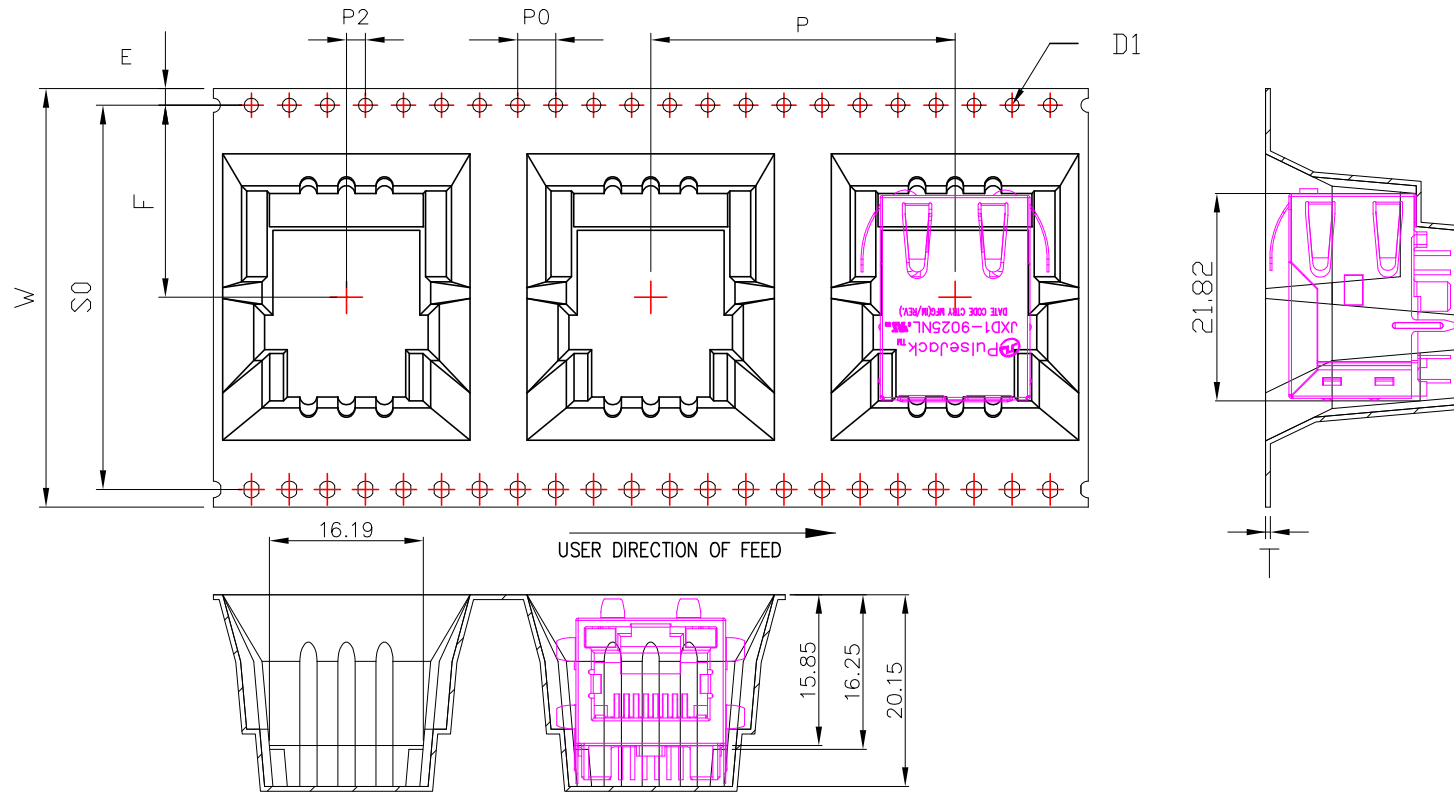


SUGGESTED PANEL CUTOUT

DIMENSIONS ARE IN MILLIMETERS [INCHES] WITH THE FOLLOWING
TOLERANCES: [INCHES] ARE FOR REFERENCE ONLY.
X.XX= ±0.10 [±.004]

© Copyright, 2019. Pulse Electronics Corp. All rights reserved. Pulse confidential & proprietary. (02/22/19)

PRODUCT DESCRIPTION	TLA DRAWING	PS DRAWING	SHEET	PART NO.	DATASHEET REV.
CONN,RJ45,1X1,1GD,1:1,TY	JXD1-9025NL-P1	-	5 OF 6	JXD1-9025NL	A



W	44.00 ±0.30	P	32.00 ±0.10	A0	16.19 ±0.15	B0	21.82 ±0.15
SO	40.40 ±0.10	P0	4.00 ±0.10	A1		B1	
E	1.75 ±0.10	P2	2.00 ±0.15	A2		B2	
F	20.20 ±0.15	D0	1.50 ^{+0.10} / _{-0.00}	K0	20.15 ±0.20	K1	15.85 ±0.15
T	0.50 ±0.05	D1		SCALE:	UNIT:	mm	

1. Material: Black Conductive Polystyrene Alloy.
2. Packing length per 13" reel: 2.2 Meters.
3. Component load per 13" reel: 60 pcs.
5 Reel in one box
300 pcs in one box
4. All dimension meet EIA-481-D requirements.

DIMENSIONS ARE IN MILLIMETERS

© Copyright, 2019. Pulse Electronics Corp. All rights reserved. Pulse confidential & proprietary. (02/22/19)

PRODUCT DESCRIPTION	TLA DRAWING	PS DRAWING	SHEET	PART NO.	DATASHEET REV.
CONN,RJ45,1X1,1GD,1:1,TY	JXD1-9025NL-P1	-	6 OF 6	JXD1-9025NL	A