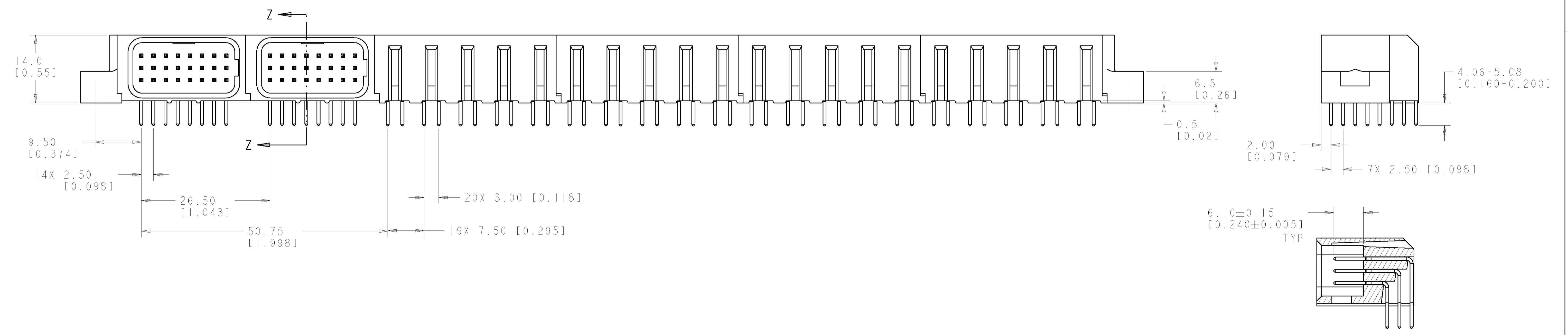
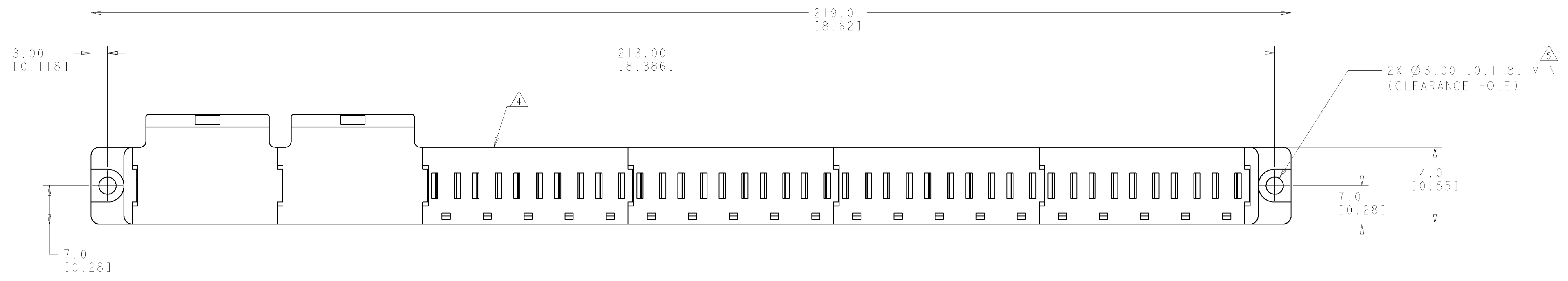


LOC	DIST	REVISIONS					
GP	00	P	LTR	DESCRIPTION	DATE	DWN	APVD
		A		RELEASED	07DEC2006	RG	PD



ELCON FLATPAQ

DIMENSIONS: mm [INCHES]		TOLERANCES UNLESS OTHERWISE SPECIFIED:		DWN: B. GRZYBOWSKI / TDEC06 CHK: P. DAMATO / TDEC06 APVD: S. FLICKINGER / TDEC06		AS SHOWN 6646681-1 DESCRIPTION PART NUMBER	
0 PLC	±	0 PLC	±0.5 [0.020]	PRODUCT SPEC -		tyco Tyco Electronics Harrisburg, PA 17105-3608	
1 PLC	±0.5 [0.020]	1 PLC	±0.25 [0.010]	APPLICATION SPEC -		NAME: TOP ASSEMBLY CONNECTOR, SOCKET RIGHT ANGLE, SOLDER TAILS	
2 PLC	±0.25 [0.010]	2 PLC	±0.000	WEIGHT -		SIZE: CAGE CODE DRAWING NO. RESTRICTED TO A 00779 C=6646681	
3 PLC	±0.000	3 PLC	±0.000	FINISH -		SCALE: 3:1 SHEET 1 OF 3 REV A	
4 PLC	±0.000	4 PLC	±0.000	CUSTOMER DRAWING			
ANGLES	±0.000						

LOC	DIST	REVISIONS					
GP	00	P	LTR	DESCRIPTION	DATE	DWN	APVD
		-	-	SEE SHEET 1	-	-	-

- PART NUMBER CHANGES AND OR DESIGN CHANGES AFFECTING ITEM INTERCHANGEABILITY REQUIRE PRIOR TYCO APPROVAL AND AUTHORIZATION BY REVISION TO THIS DRAWING.
- MATERIAL:
 - INSULATORS - THERMOPLASTIC, GLASS REINFORCED, COLOR: BLACK
UL94V-0 FLAMMABILITY RATED.
 - SOLDER SIGNAL PIN: BRASS ALLOY
 - POWER CONTACTS - PHOSPHOR BRONZE ALLOY,
COPPER ALLOY
 - CROWN BANDS - BERYLLIUM COPPER ALLOY
 - SIGNAL CONTACTS - BRASS ALLOY
- FINISH:
 - CONTACTS - GOLD PLATE .000030" MIN. THK. OVER NICKEL
.000050" MIN. THK.
 - SOLDER TAILS TIN, .000100" MIN. THK. OVER NICKEL
.000050" MIN. THK.

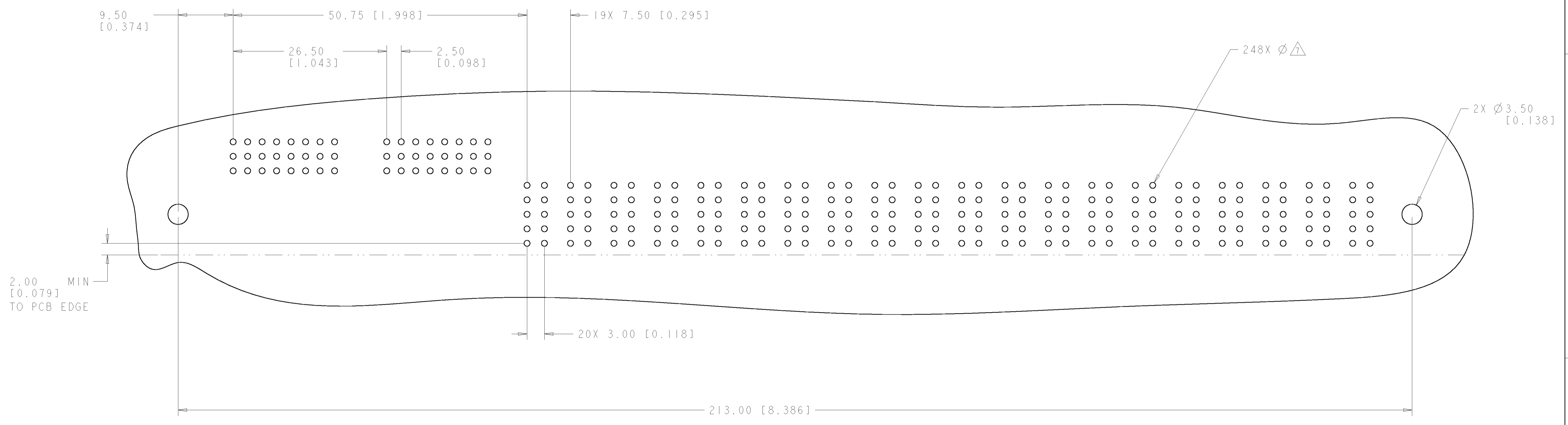
△ ITEMS PROVIDED TO THIS SPECIFICATION TO BE PERMANENTLY IDENTIFIED PER THE FOLLOWING IDENTIFIER LABEL

YEAR WEEK

TYCO PART NO. DATE CODE (e.g. 0106)

XXXXXXX-X XXXX

△ MOUNTING FLANGES ACCEPTS M3 OR #4-40 SCREWS (USER SUPPLIED)

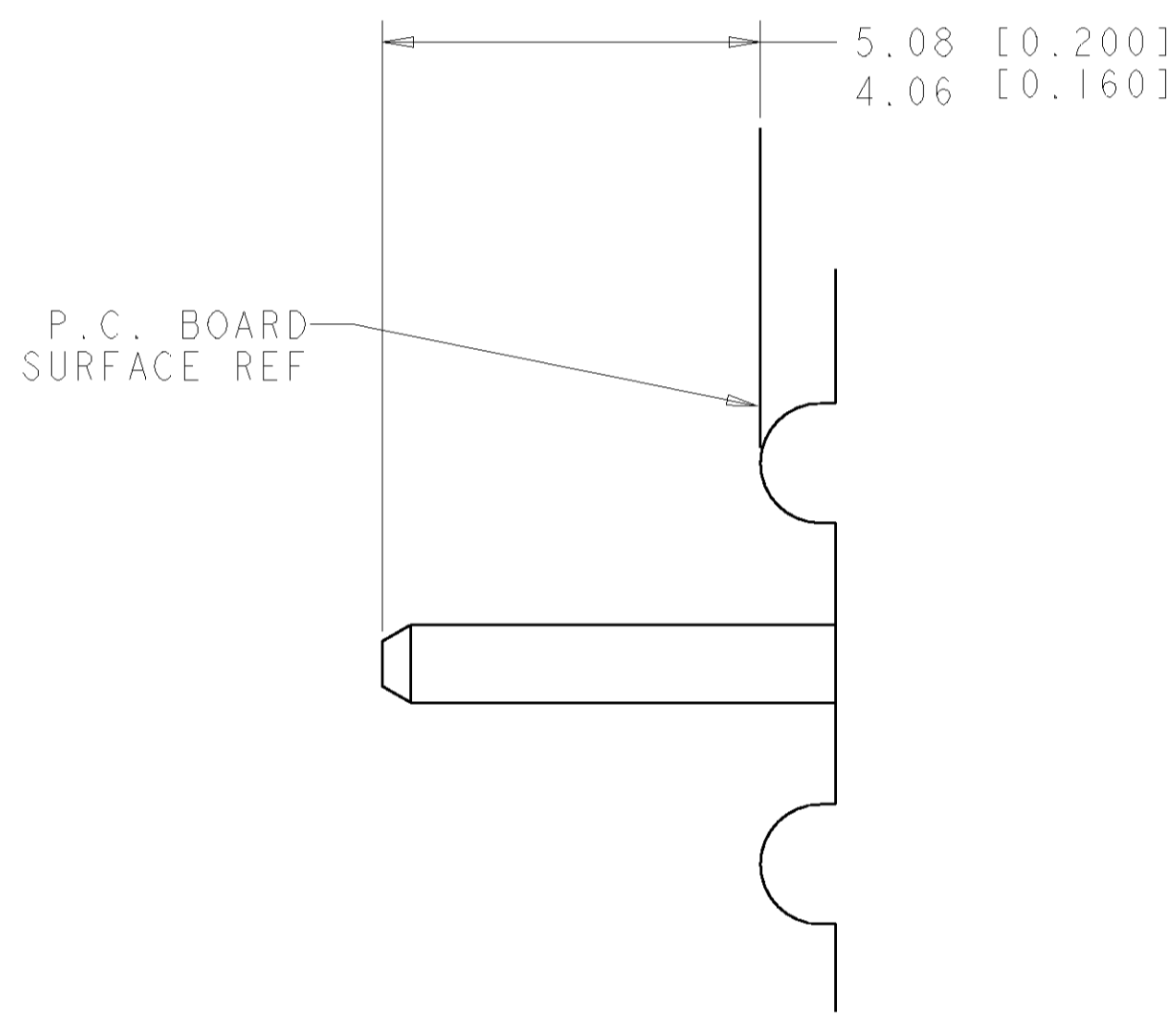


PRINTED CIRCUIT LAYOUT
 COMPONENT SIDE

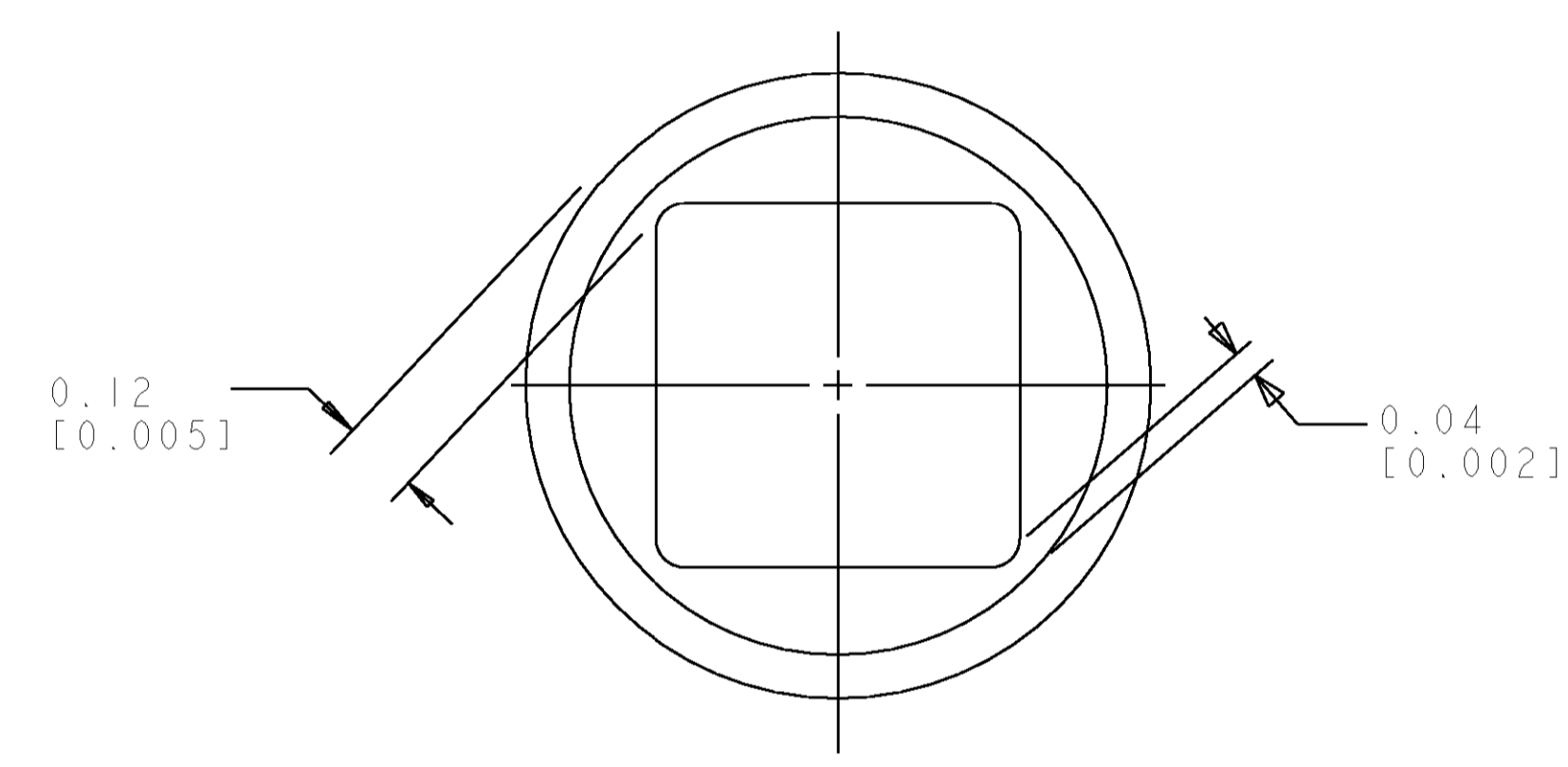
ELCON FLATPAQ

<small>THE INFORMATION CONTAINED HEREIN IS UNCLASSIFIED EXCEPT WHERE SHOWN OTHERWISE. IT IS THE POLICY OF TYCO ELECTRONICS CORPORATION TO MAKE THIS INFORMATION AVAILABLE TO THE PUBLIC.</small>		DWN: R. GRZYBOWSKI / TDEC06 ENR: P. DAMATO / TDEC06 APVD: S. FLICKINGER / TDEC06	tyco Electronics Tyco Electronics Harrisburg, PA 17105-3608
DIMENSIONS: mm [INCHES]	TOLERANCES UNLESS OTHERWISE SPECIFIED: 0 PLC ± 1 PLC ±0.5 [0.020] 2 PLC ±0.25 [0.010] 3 PLC ±0.000 4 PLC ±0.0000 ANGLES ± 5	PRODUCT SPEC APPLICATION SPEC	NAME: TOP ASSEMBLY CONNECTOR, SOCKET RIGHT ANGLE, SOLDER TAILS SIZE: CAGE CODE DRAWING NO. RESTRICTED TO A100779 C=6646681
MATERIAL: -	FINISH: -	WEIGHT: -	CUSTOMER DRAWING
		SCALE: 3:1	SHEET 2 OF 3 REV A

LOC	DIST	REVISIONS			
P	LTR	DESCRIPTION	DATE	DNW	APVD
GP	00	-	SEE SHEET 1	-	-



6. SOLDER TAIL DETAIL
 SCALE 10 : 1



△ SOLDER TERMINATION AREA
 SCALE 40:1
 RECOMMENDED PRINTED CIRCUIT SOLDER HOLE
 FINISHED HOLE: $\varnothing 1.02 [0.40] \pm .08 [0.003]$
 DRILLED HOLE: $\varnothing 1.15 [0.453] \pm .013 [0.0005]$
 COPPER PLATE: .025 [0.0010] MIN.
 TIN PLATE: .008 [0.0003] MIN. (PER SURFACE)

CONNECTOR	CATALOG MODULE #	QTY	SIZE NO.	CONTACT QTY	MATING PIN	MAX. CURRENT (PER CONTACT)	CONTACT SPACING	VOLTAGE RATING
SOCKET	FP104	20	8	40	1.25 X 7.00 [.049 X .276]	35 amps	7.50 [.2953]	250
	FP303	2	22	48	.64 [.025] SQ.	3 amps	2.50 [.0984]	125 VOLTS
	FP0500	1	LEFT MOUNTING FLANGE					
	FP0501	1	RIGHT MOUNTING FLANGE					

ELCON FLATPAQ

THIS DRAWING IS UNPUBLISHED. RELEASED FOR PUBLICATION. THE INFORMATION IS CHANGED FOR THE CUSTOMER'S ORGANIZATION. SHOULD BE CONTACTED FOR THE LATEST EDITION.

DIMENSIONS: mm [INCHES]	TOLERANCES UNLESS OTHERWISE SPECIFIED:	DWN: B. GRZYBOWSKI / TDEC06	Tyco Electronics Harrisburg, PA 17105-3608
0 PLC ±	1 PLC ±0.5 [0.020]	CHK: P. DAMATO / TDEC06	
2 PLC ±0.25 [0.010]	3 PLC ±0.000	APVD: S. FLICKINGER / TDEC06	
4 PLC ±0.000	ANGLES ±.5	PRODUCT SPEC	
MATERIAL	FINISH	APPLICATION SPEC	NAME: TOP ASSEMBLY CONNECTOR, SOCKET RIGHT ANGLE, SOLDER TAILS
		WEIGHT	SIZE: CAGE CODE: DRAWING NO: A100779C=6646681
		CUSTOMER DRAWING	RESTRICTED TO: -

SCALE 3:1 SHEET 3 OF 3 REV A