



soberton inc.

RC DYNAMIC RECEIVER UNIT

Acoustic Product Specification

Product Number: RC-1504



Release | Revision: B/2018

CONTENTS

This document contains the technical specifications for the dynamic receiver unit.

Page 1

Speaker Electroacoustic Characteristics

General Specifications

Page 2

Reliability Tests

Page 3

Measuring Method (Speaker Mode)

Standard Test Condition of Speakers

Page 4

Frequency Response Curve

Page 5

Dimensions

Page 6

Packing

Dynamic Receiver Electroacoustic Characteristics

Sound Pressure Level

115±3dB SPL @1.0KHz Sine Wave 180mV with IEC318
Measuring Condition: 1mW (Sine wave) with baffler

Frequency Response Curve

As shown in Figure 2

Input Power (Nominal and Maximum)

Nominal Rated Power 10mW
Short Term Noise 15mW must be normal at a white noise (10mW, 200 ~ 3.4KHz) for one minute

Operation Test

Must be free audible noise (buzzes and rattles)
(200 ~ 3.4KHz frequency range, input level up to 0.6Vrms)

Distortion

Less than 10% @1KHz 10mW

General Specifications

Temperature Range

Operating Temperature -20°C~+60°C
Storage Temperature -30°C ~ +70°C

Standard Test Conditions

Temperature 17°C ~ 25°C
Relative Humidity 45% ~ 80% (RH)

AC Impedance

32±15%Ω(@2KHz 1V) without baffler

Dimension

ø15.0 x 3.9mm
WIRE 40mm UL1571 / AWG32#

IP Level

IP50



soberton inc.

RC DYNAMIC RECEIVER UNIT

Acoustic Product Specification

Product Number: RC-1504



Release | Revision: B/2018

CONTENTS

This document contains the technical specifications for the dynamic receiver unit.

Page 1

Speaker Electroacoustic Characteristics

General Specifications

Page 2

Reliability Tests

Page 3

Measuring Method (Speaker Mode)

Standard Test Condition of Speakers

Page 4

Frequency Response Curve

Page 5

Dimensions

Page 6

Packing

Reliability Tests

The sound pressure as specified shall neither deviate more than $\pm 3\text{dB}$ from the initial value, nor have any significant damage after any of following testing.

High Temperature Test

High Temperature $+60\pm 2^\circ\text{C}$

Duration 96 hours

Low Temperature Test

Low Temperature $-20\pm 2^\circ\text{C}$

Duration 96 hours

Heat Shock Test

High Temperature $+60\pm 2^\circ\text{C}$

Low Temperature $-20\pm 2^\circ\text{C}$

Changeover time < 30 seconds

Duration 1 hour

Cycle 100

Humidity Test

Temperature $+40\pm 2^\circ\text{C}$

Relative Humidity 90%~95%

Duration 96 hours

Temperature Cycle Test

Temperature -20°C $+60^\circ\text{C}$

Duration 45 minutes 45 minutes

Temperature gradient $1 \sim 3^\circ\text{C}/\text{min}$

Cycle 25

Drop Test

Mounted with dummy set mass: 100 g

Height 1.5 m

Cycle 6 (1 each plain) Onto the concrete board

Load Test

Speaker mode: White noise (EIA filter) for 96 hour@10mW input power



soberton inc.

RC DYNAMIC RECEIVER UNIT

Acoustic Product Specification

Product Number: RC-1504

Release | Revision: B/2018

CONTENTS

This document contains the technical specifications for the dynamic receiver unit.

Page 1
Speaker Electroacoustic Characteristics

General Specifications

Page 2
Reliability Tests

Page 3
Measuring Method (Speaker Mode)

Standard Test Condition of Speakers

Page 4
Frequency Response Curve

Page 5
Dimensions

Page 6
Packing

Measuring Method (Speaker Mode)

Standard Test Condition

Temperature 15 ~ 35°C

Relative humidity 45% ~ 85%

Atmospheric pressure 860mbar to 1060mbar

Standard Test Fixture

Input Power 180mWW

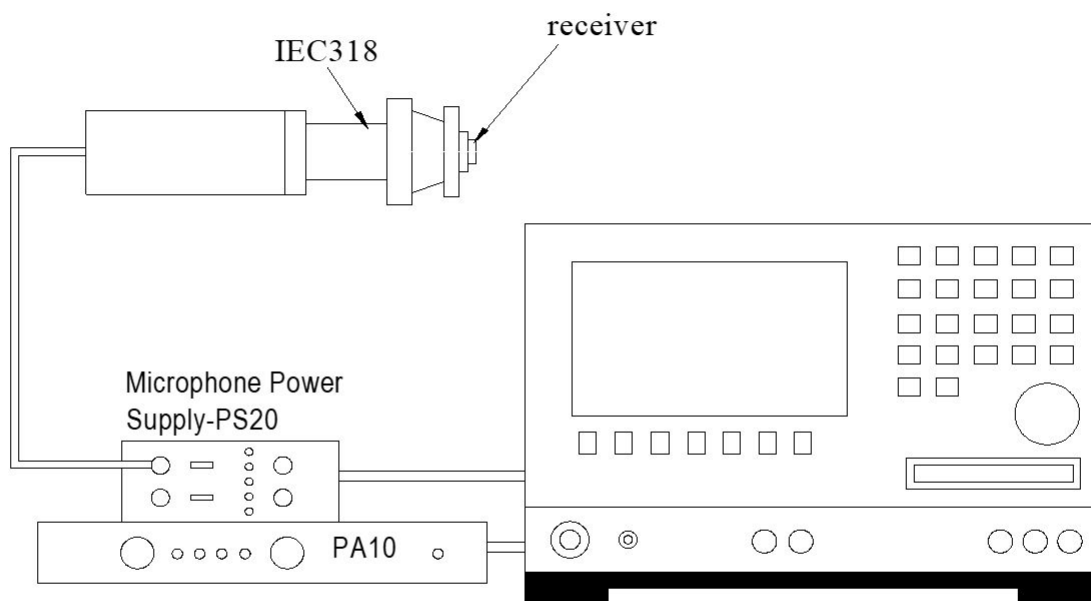
Zero Level -dB

Mode TSR

Potentiometer Range 50dB

Sweep Time 0.5sec

Standard Test Condition of Speaker (Fig. 1)



Audio Analyzer Sound check 11.1



soberton inc.

RC DYNAMIC RECEIVER UNIT

Acoustic Product Specification

Product Number: RC-1504



Release | Revision: B/2018

CONTENTS

This document contains the technical specifications for the dynamic receiver unit.

Page 1

Speaker Electroacoustic Characteristics

General Specifications

Page 2

Reliability Tests

Page 3

Measuring Method (Speaker Mode)

Standard Test Condition of Speakers

Page 4

Frequency Response Curve

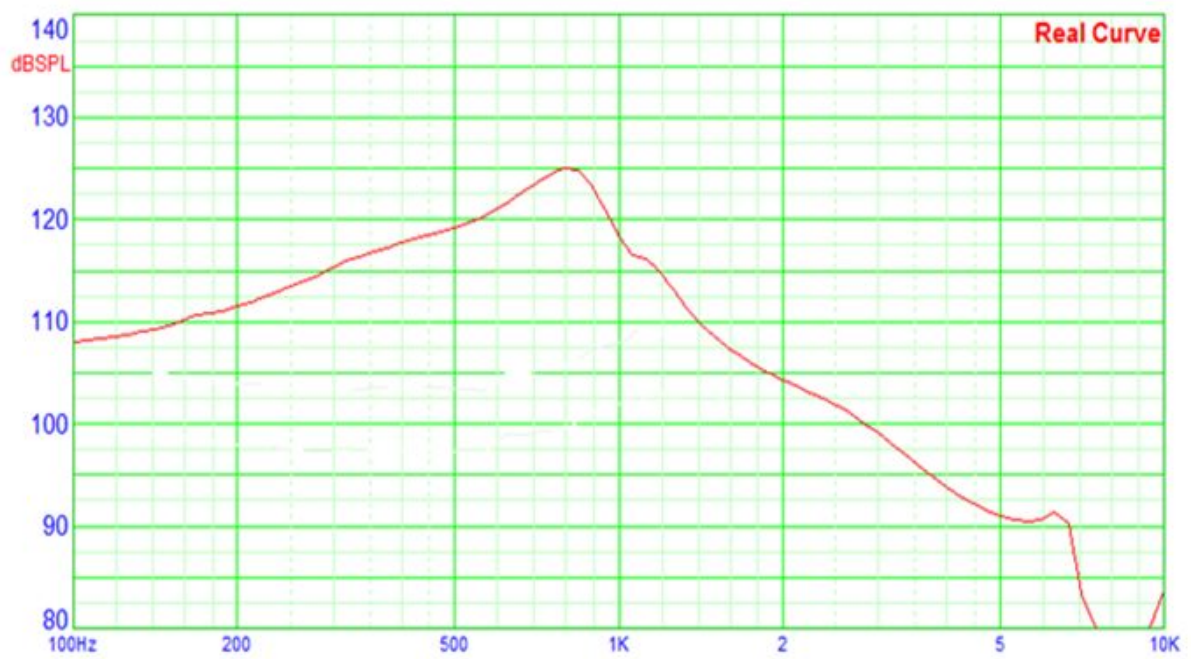
Page 5

Dimensions

Page 6

Packing

Frequency Response Curve (Fig. 2)





soberton inc.

RC DYNAMIC RECEIVER UNIT

Acoustic Product Specification

Product Number: RC-1504

Release | Revision: B/2018

CONTENTS

This document contains the technical specifications for the dynamic receiver unit.

Page 1

Speaker Electroacoustic Characteristics

General Specifications

Page 2

Reliability Tests

Page 3

Measuring Method (Speaker Mode)

Standard Test Condition of Speakers

Page 4

Frequency Response Curve

Page 5

Dimensions

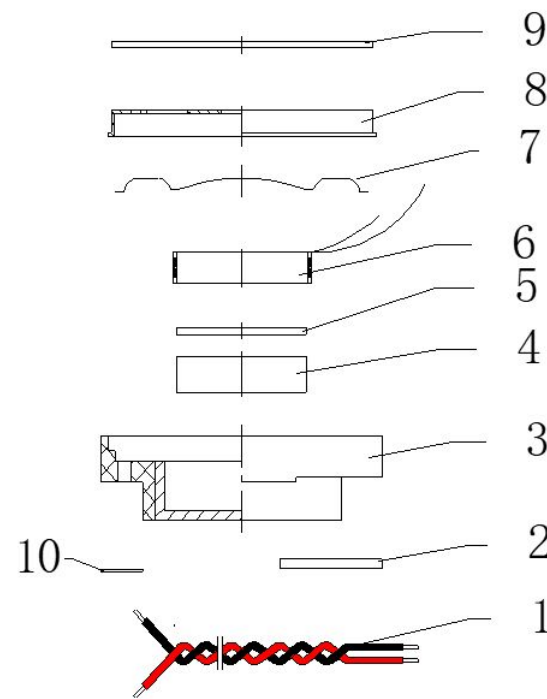
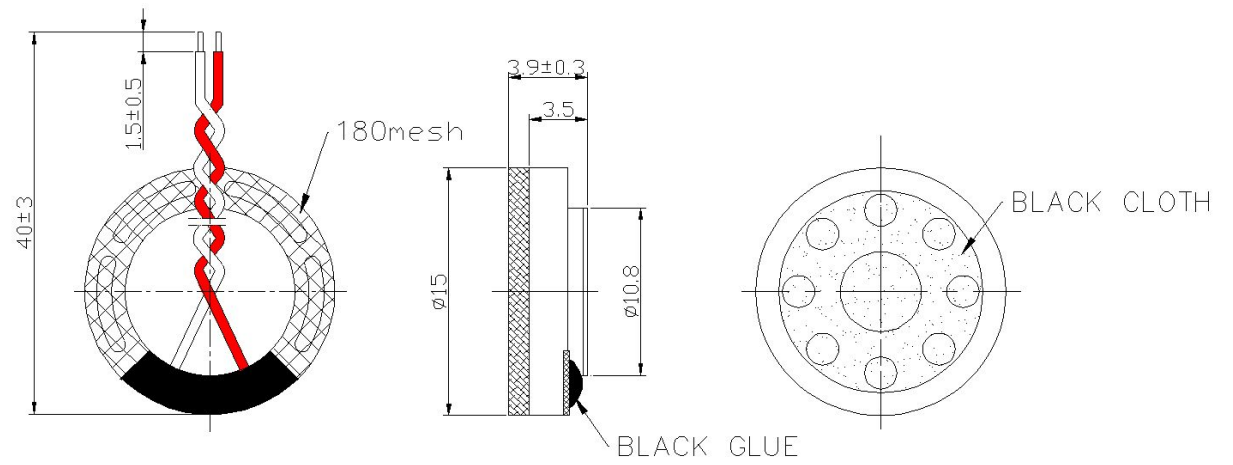
Page 6

Packing

Dimensions

Tolerance: ± 0.5 (unit: mm)

Wire: UL1571/AWG32#



No.	Part Name	Material	Quantity
1	Wire (40mm)	UL1571 AWG32#	2
2	PCB	0.4 Tinned PCB	1
3	Frame	PBT	1
4	Magnet	Nd Fe B-N42	1
5	Plate	SPCC	1
6	Voice Coil	Copper	1
7	Membrane	PEN	1
8	Cap	SUS304	1
9	Screen Gasket	0.4 Single-sided cloth	1
10	Damping Net	180 mesh	1



soberton inc.

RC DYNAMIC RECEIVER UNIT

Acoustic Product Specification

Product Number: RC-1504



Release | Revision: B/2018

CONTENTS

This document contains the technical specifications for the dynamic receiver unit.

Page 1

Speaker Electroacoustic Characteristics

General Specifications

Page 2

Reliability Tests

Page 3

Measuring Method (Speaker Mode)

Standard Test Condition of Speakers

Page 4

Frequency Response Curve

Page 5

Dimensions

Page 6

Packing

Packing

