

# WC Series Heatsinks



For TO-220, TO-247, and TO-264 devices



The unique design (patent pending) of the WC Series heat sinks combines a tin plated, solderable, integral cam clip with an compressed ceramic heat sink body for an all-in-one solution to through-hole mounting of TO-220, TO-247, and TO-264 packages. These self-aligning heat sinks feature solderable feet and an integrated clip with 13.2 (lbf) of force on the center of the device to enhance thermal performance.

## FEATURES

- Reduced assembly cost: cam clip and auto-align feature makes fasteners and fixtures obsolete
- Maximum repeatability: clamping force of the cam clip is not degraded by repeated loading and unloading
- Great electrical characteristics: ceramic material provides great electrical isolation while offering thermal performance similar to aluminum heatsinks
- Maximum resistance to shock and vibration: light weight, resilient cam clip locks the component in place and is highly resistant to shock and vibration

## SERIES SPECIFICATIONS

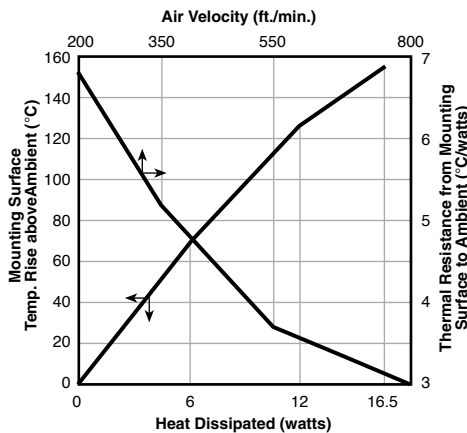
Heatsink Part Number	For Package Type	Ohmite Resistor Series	Surface Area (in <sup>2</sup> )	Weight	Thermal Resistance*
WC-T2X-38E	TO-220, TO-247, TO-264	TBH25, TCH35, TEH100	17.3	1.48 oz/42g	12°C/W

\* at 12 watts

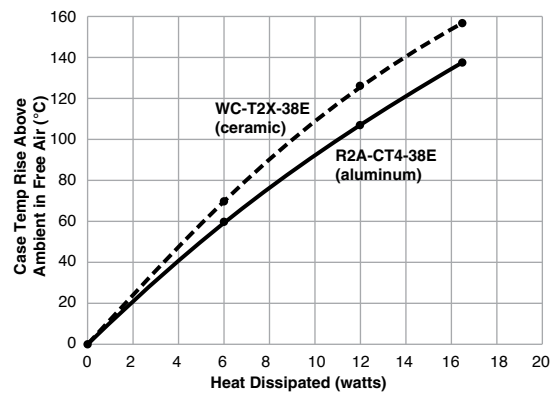
## CHARACTERISTICS

<b>Heat Sink</b>	95% Al <sub>2</sub> O <sub>3</sub>
<b>Spring Clip</b>	Music wire, per ASTM A228
<b>Interface thermal resistance</b>	for improvement, use thermal joint compound or 0.005 Grafoil (TGon 800 by Laird)
<b>Mounting</b>	Vertical thru-hole mount
<b>Clip Force</b>	13.2 lbf.
<b>Dielectric withstanding voltage</b>	4KV (from clip to device)

### Heat Dissipation



### Heat Dissipation: Aluminum vs. Ceramic



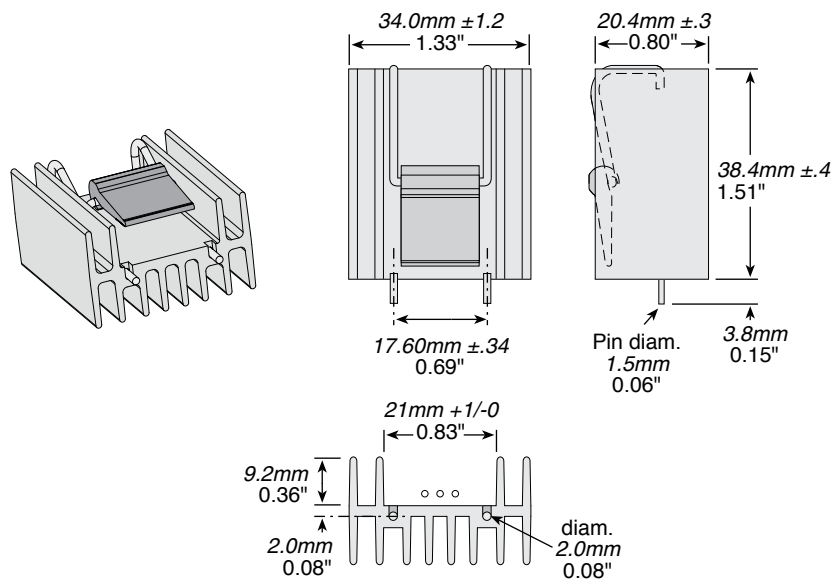
(continued)

# WC Series Heatsinks

For TO-220, TO-247, and TO-264 devices

## DIMENSIONS

(in./mm  $\pm 0.3$ mm)



## ORDERING INFORMATION

**WC - T 2 X - 3 8 E**

Ceramic  
Heatsink series

TO-  
Packages

Device  
height

RoHS  
Compliant