

PRODUCT NUMBER

10120689-110ALF

LEAD FREE, RoHS COMPATIBLE, NOTE 5.

PACKAGING SEE NOTE 4

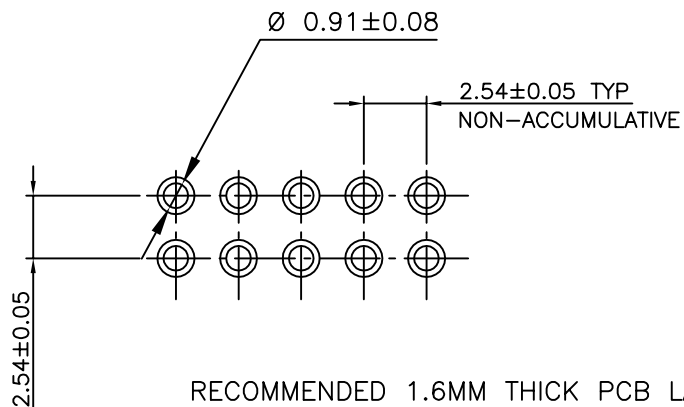
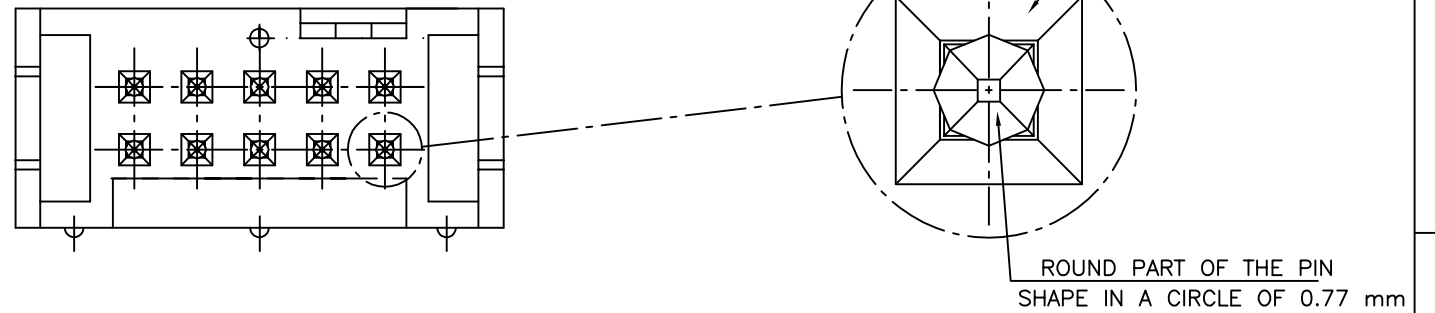
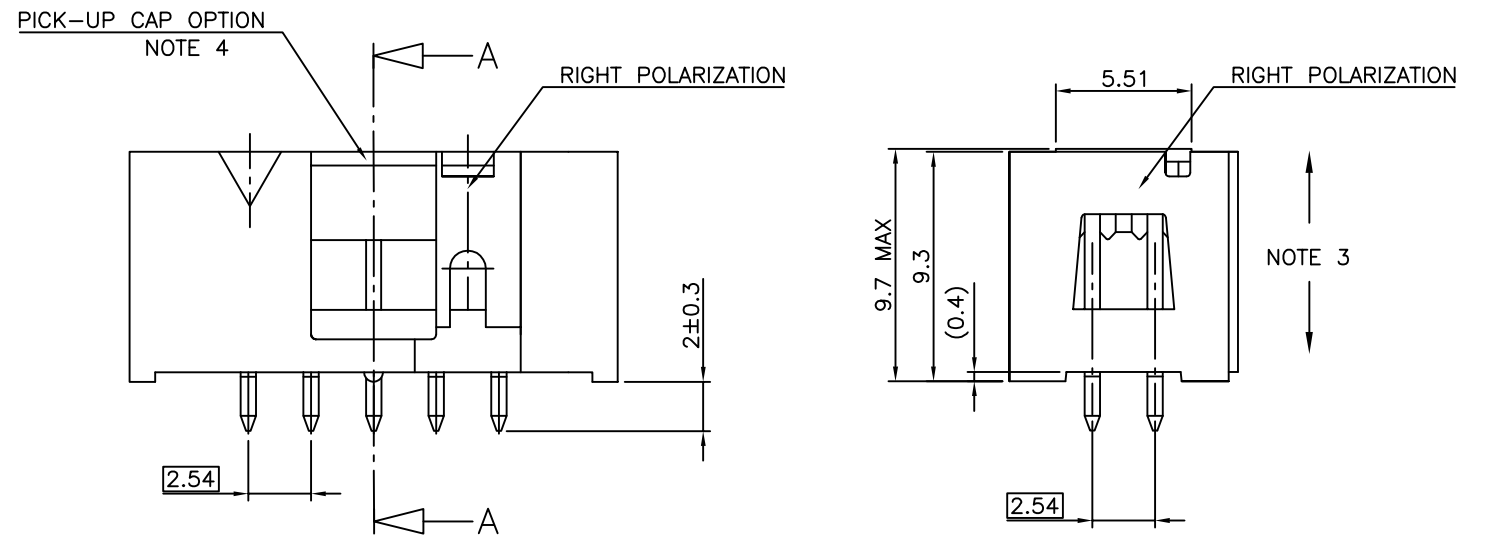
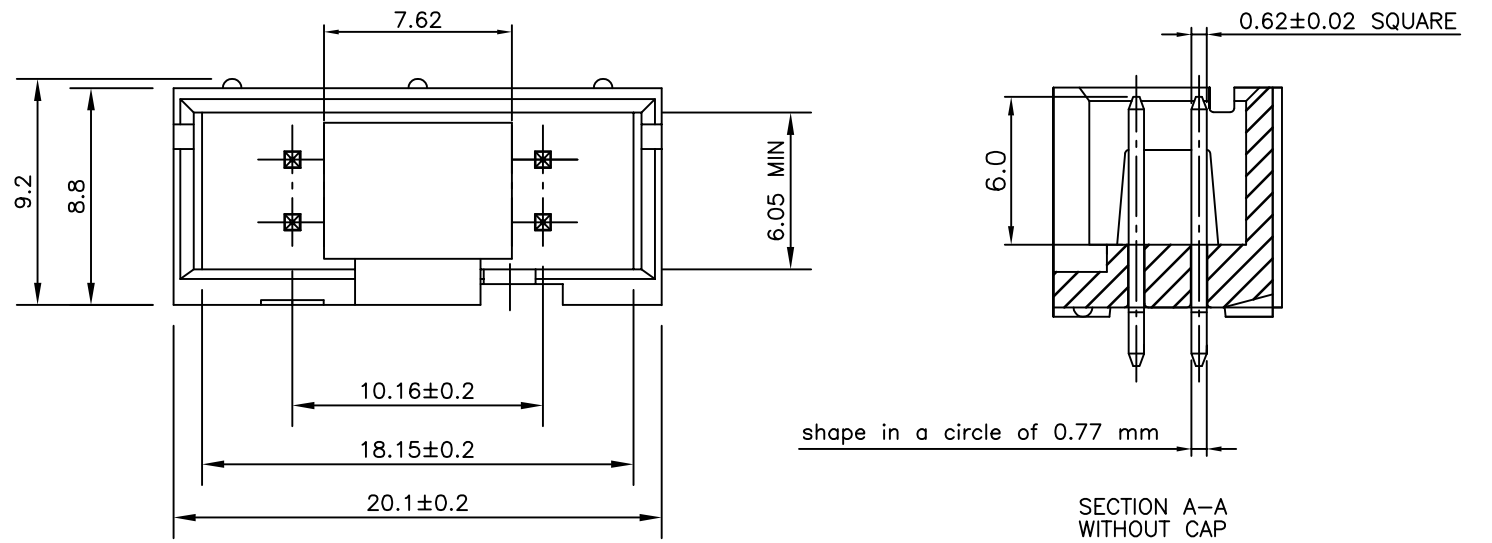
PLATING

TOTAL NBR OF POSITION

- 1 - 0.76µm GOLD/GXT (PdNi WITH GOLD FLASH) ON CONTACT AREA
- 2µm MIN MATTE TIN ON TAILS.
- 1.27µm NICKEL MIN UNDERPLATING

NOTES:

- 1 - HOUSING MATERIAL: HIGH TEMPERATURE THERMOPLASTIC, UL94 V-0 COLOR WHITE.
- 2 - CONTACT MATERIAL: COPPER ALLOY
- 3 - MINIMUM PUSH OUT FORCE OF PIN IN EITHER DIRECTION : 20N BEFORE SOLDERING.
- 4 - PACKAGING.  
A = TAPE & REEL WITH PICK-UP CAP.  
SEE TA-893 FOR PRODUCT AVAILABILITY.
- 5. RoHS COMPLIANT & COMPATIBLE PRODUCT SPECIFICATIONS
  - a - PLATING:
    - "LF" MEANS THE PRODUCT IS LEAD-FREE AND RoHS COMPLIANT
    - 2µm MINIMUM MATTE TIN ON TAILS OVER 1.27µm MINIMUM NICKEL UNDERPLATE.
  - b - THIS PRODUCT MEETS EUROPEAN UNION DIRECTIVES AND OTHER COUNTRY REGULATIONS AS PER GS-22-008.
  - c - MANUFACTURING PROCESS COMPATIBILITY
    - THE HOUSING WILL WITHSTAND EXPOSURE TO 260° PEAK TEMPERATURE FOR 10-30 SECONDS IN A CONVECTION INFRA-RED OR VAPOR PHASE REFLOW OVEN.
    - PHASE REFLOW OVEN.



RECOMMENDED 1.6MM THICK PCB LAYOUT,  
STENCIL DESIGN RECOMMENDATIONS AS PER TA-894

mat'l. code		surface		tolerance		projection		product family	
NOTES 1, 2		ISO 1302 ✓		ISO 406 ISO 1101		mm		QKIE HDR	
ltr	ecn no	dr	date	tolerances unless otherwise specified		mm		title	
A	F12-0822	GPE	12.10.30	angles	linear	mm		QKIE HEADER SPECIAL	
					.x ± 0.3			PIN IN PASTE WHITE & ROUND PIN	
					.xx ± 0.15			dwg no	
					xxx ± 0.05	scale 1:1		sheet 1 of 1	
				dr	GPE	12.04.10		size	
				engr	JCO	12.04.10		A3	
				chr				type	
				appd	J COMPAGNON	12.04.10		CUSTOMER Drawing	
sheet index	revision sheet								