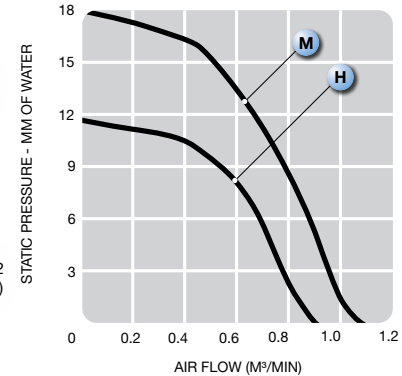
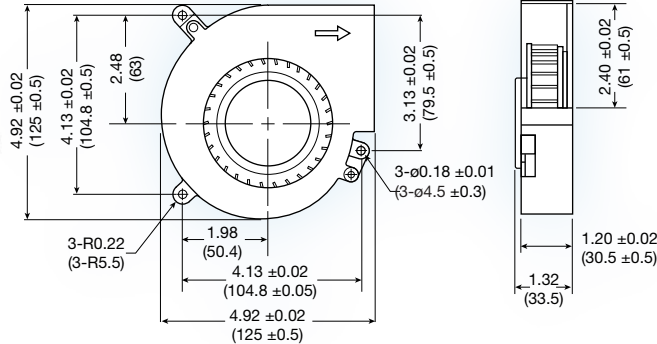


# B1232-SR series



**(125 x 125 x 33.5 mm)**

4.92 x 4.92 x 1.32 inches

|                 |  |
|-----------------|--|
| Construction:   | UL94V-0 PBT impeller; metal and PBT frame      |
| Bearing option: | ball bearing                                   |
| Connection:     | AWG 24, UL1007 lead wires                      |
| Protection:     | thermal  |
| Options:        | tachometer output or locked rotor alarm signal |

| Model No.        | Rated Voltage<br>V | Current<br>mA | Speed<br>RPM | Air Volume           |     | Max. Static Pressure (H <sub>2</sub> O) |      | Sound Noise<br>dbA | Weight<br>g |
|------------------|--------------------|---------------|--------------|----------------------|-----|---|------|--------------------|-------------|
|                  |                    |               |              | M <sup>3</sup> /Min. | CFM | MM                                      | INCH |                    |             |
| <b>B1232M-SR</b> | 24                 | 330           | 2,000        | 0.91                 | 32  | 11.80                                   | 0.46 | 47                 | 340         |
| <b>B1232H-SR</b> | 24                 | 480           | 2,400        | 1.10                 | 39  | 18.00                                   | 0.70 | 53                 | 340         |
| <b>B1232M-SR</b> | 48                 | 250           | 2,000        | 0.91                 | 32  | 11.80                                   | 0.46 | 47                 | 340         |
| <b>B1232H-SR</b> | 48                 | 330           | 2,400        | 1.10                 | 39  | 18.00                                   | 0.70 | 53                 | 340         |