

REV	DOCUMENT	CHANGED BY	CHECK
5	0033839	PRS 13SEP07	CMH

**XSC**  
**SERIES**  
**DESIGNATES PRESSURE**

**L** - LOW PRESSURE (IN H<sub>2</sub>O)  
 - NO DESIGNATION (PSI)

**PRESSURE RANGE**

**04, 10** IN H<sub>2</sub>O  
**0.3, 01, 05, 15, 30,**  
**60, 100, 150** PSI

**ACCURACY GRADE**

**C** - COMMERCIAL GRADE  
**H** - HIGH GRADE

**PORT OPTION**

**F** - AXIAL (GAGE ONLY)  
 - NO PORT

**PRESSURE REFERENCE**

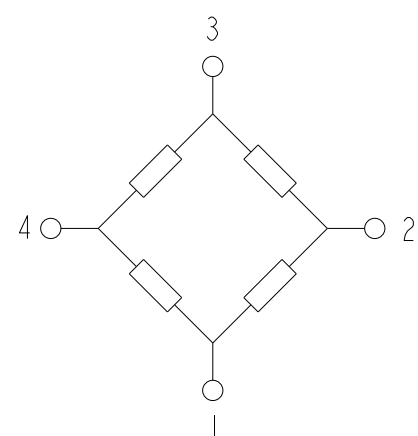
**G** - GAGE  
**D** - DIFFERENTIAL

**CATALOG LISTINGS**

XSCL04DC
④
XSCL10DC
⑤
XSC01DH
④
④
XSC100DH
⑤

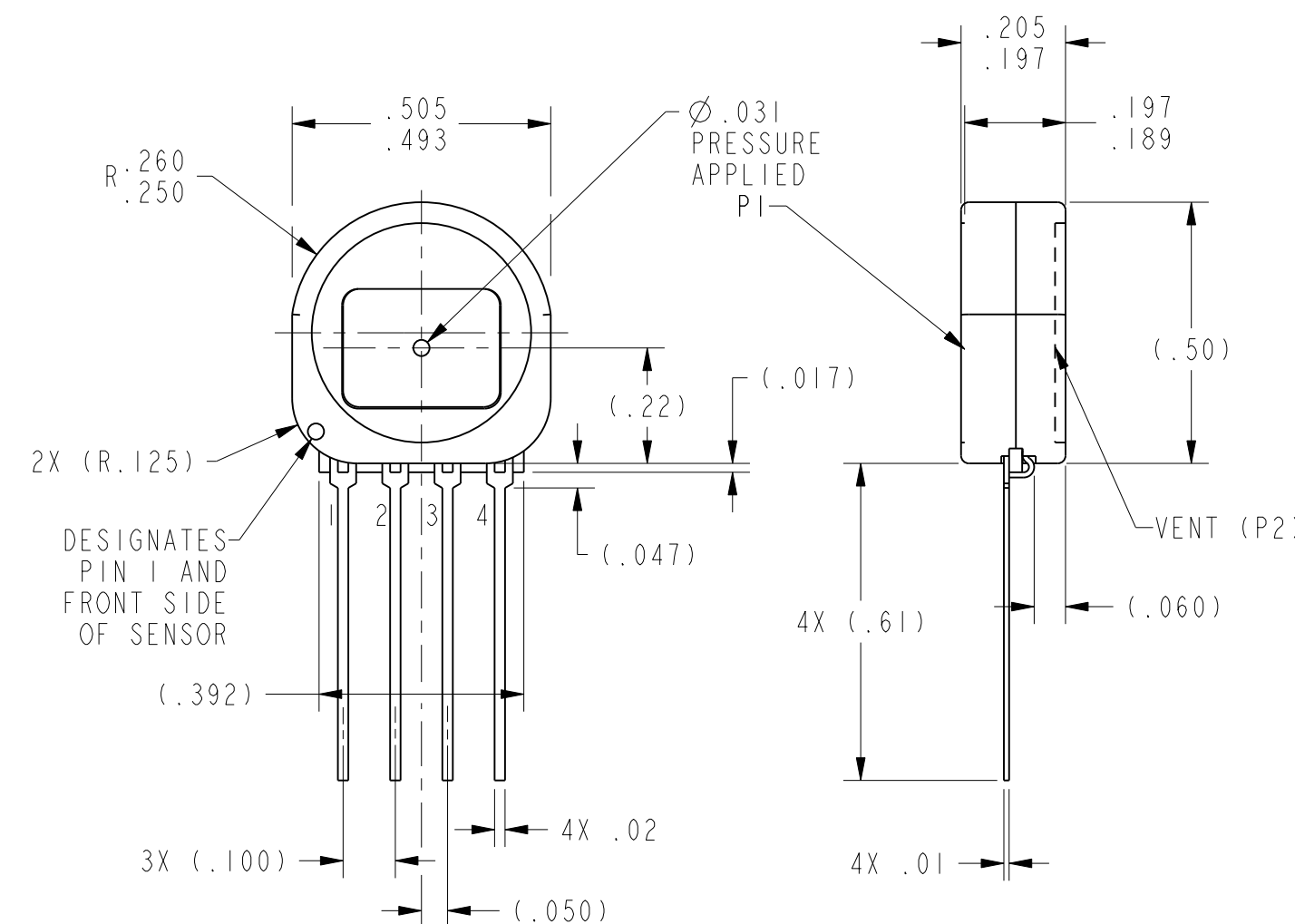
XSC G AND D STYLES (GAGE/DIFFERENTIAL)	PERFORMANCE AT 25°C AND 12±0.01 V <sub>dc</sub> (UNLESS OTHERWISE STATED)						UNITS	FULL SCALE PRESSURE PSI	PROOF PRESSURE PSI	BURST PRESSURE PSI
	C-GRADE			H-GRADE						
	MIN	NOM	MAX	MIN	NOM	MAX				
OFFSET (0 IN H <sub>2</sub> O)	-1	0	1	-0.5	0	+0.5	mV			
4 IN H <sub>2</sub> O SPAN (P1>P2)	23	25	27	N/A	N/A	N/A	mV	4 IN H <sub>2</sub> O	3	5
10 IN H <sub>2</sub> O SPAN (P1>P2)	19	20	21	19.5	20	20.5	mV	10 IN H <sub>2</sub> O	3	5
0.3 PSI SPAN (P1>P2)	19	20	21	19.5	20	20.5	mV	0.3	3	5
1 PSI SPAN (P1>P2)	17	18	19	17.8	18	18.2	mV	1	3	5
5 PSI SPAN (P1>P2)	57	60	63	59	60	61	mV	5	15	25
15 PSI SPAN (P1>P2)	85	90	95	89	90	91	mV	15	45	75
30 PSI SPAN (P1>P2)	85	90	95	89	90	91	mV	30	90	150
60 PSI SPAN (P1>P2)	85	90	95	89	90	91	mV	60	180	300
100 PSI SPAN (P1>P2)	95	100	105	99	100	101	mV	100	250	400
150 PSI SPAN (P1>P2)	85	90	95	89	90	91	mV	150	250	400
COMBINED LINEARITY AND HYSTERESIS ④	---	0.25	1	-0.5	---	0.5	%SPAN			
NULL SHIFT OVER TEMPERATURE (0-25, 25-70°C) ②/③	-1	---	1	-0.5	---	0.5	mV			
SPAN SHIFT OVER TEMPERATURE (0-25, 25-70°C) ②/③	-2	---	2	-1	---	1	%SPAN			

GENERAL OPERATING CHARACTERISTICS	ALL PRESSURES AND GRADES			UNITS
	MIN	NOM	MAX	
EXCITATION VOLTAGE	3	12	16	V <sub>dc</sub>
INPUT RESISTANCE	5	---	---	K-OHMS
OUTPUT RESISTANCE	---	3	---	K-OHMS
OPERATING TEMPERATURE	-25	25	85	°C
STORAGE TEMPERATURE	-40	---	125	°C

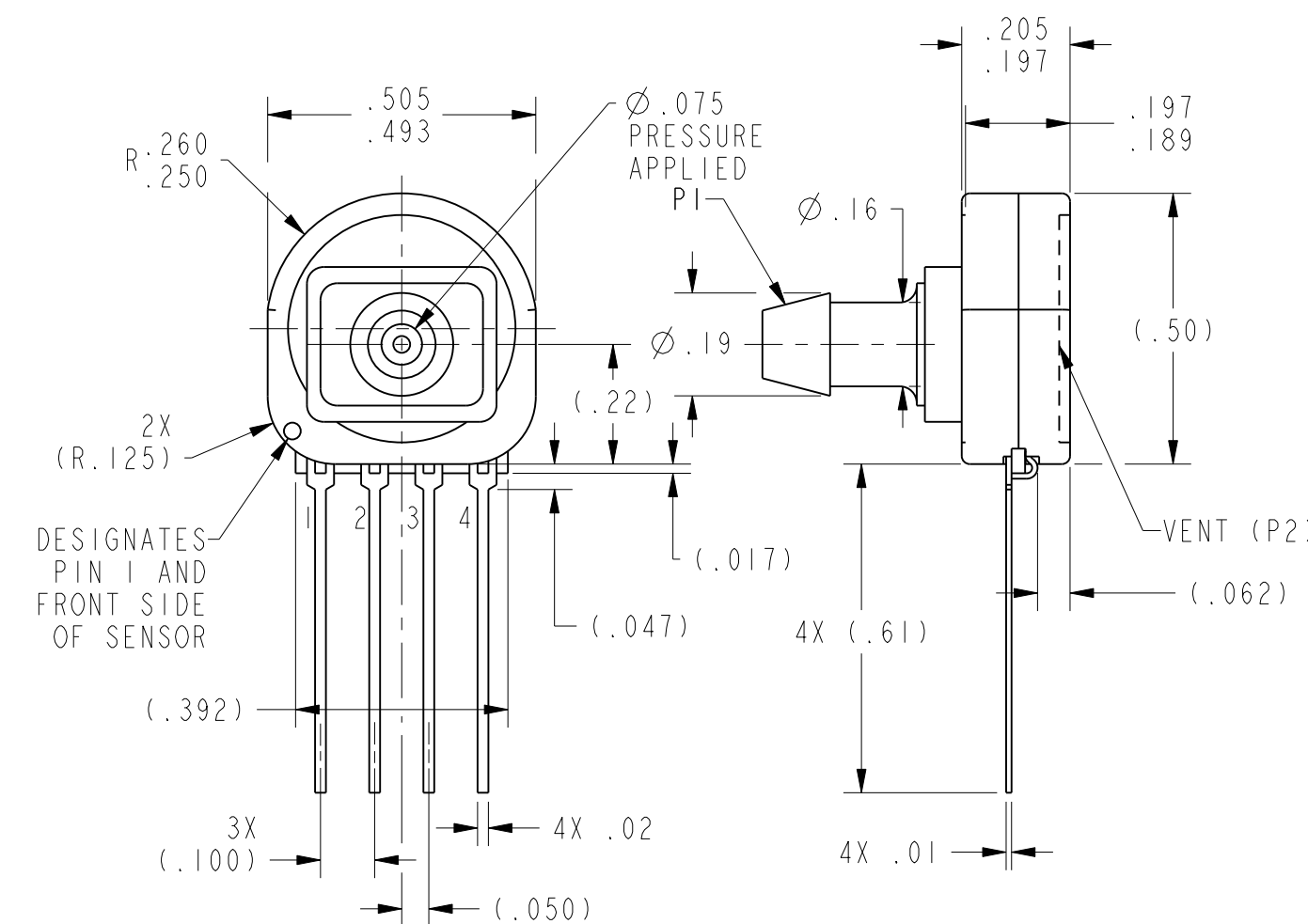


**EQUIVALENT CIRCUIT**

PIN OUT	
1	-V EXCITATION
2	+ OUTPUT SIGNAL
3	+ V EXCITATION
4	- OUTPUT SIGNAL



**D HOUSING**



**GF HOUSING**

**NOTES**

- SPAN IS THE ALGEBRAIC DIFFERENCE BETWEEN THE OUPUT AT FULL SCALE PRESSURE AND THE OFFSET OUTPUT
- TEMPERATURE ERROR IS CALCULATED WITH RESPECT TO 25°C
- THE L04 LISTING HAS A TEMPERATURE SHIFT RANGE FROM 0°C TO 25°C AND 25°C TO 50°C
- LINEARITY IS MEASURED AT 1/2 FULL SCALE PRESSURE USING BEST STRAIGHT LINE FIT
- THE OUTPUT OF THE SENSOR IS PROPORTIONAL, RATIOMETRIC, TO THE EXCITATION VOLTAGE. ALL SPECIFICATIONS WILL NOMINALLY BE CHANGED BY THE RATIO OF V<sub>EXCITATION</sub>/12.0 V<sub>dc</sub>
- LIMIT SOLDERING TO 315°C FOR LESS THAN 10 SECONDS
- POSITIVE PRESSURE APPLIED TO PORT 1 > PORT 2 RESULTS IN POSITIVE GOING OUTPUT
- INPUT MEDIA RESTRICTED TO DRY GASES ONLY

UNLESS OTHERWISE SPECIFIED TOLERANCES ARE: NO PLACE X ±.040 ±1 ONE PLACE .X ±.030 ±0,4 TWO PLACE .XX ±.015 ±0,15 THREE PLACE .XXX ±.005 ± ANGLES ± RAW MATERIAL-COMMERCIAL STANDARD	<input checked="" type="checkbox"/> US (inch) CUSTOMARY <input type="checkbox"/> SI (mm) METRIC	DRAWN TRF 04APRO1	<b>Honeywell</b>
THIRD ANGLE PROJECTION	CHECK SAV 04APRO1	TITLE <b>PRESSURE SENSOR</b>	
DIMENSIONS ARE TO BE MET BEFORE PROTECTIVE COATINGS ARE APPLIED		SIZE DWG TYPE DRAWING NAME REV	C I XSC G D SERIES CHART 1 5
3D PTC	ASME Y14.5M-1994	SCALE 3:1 WEIGHT SHEET 1 OF 1	