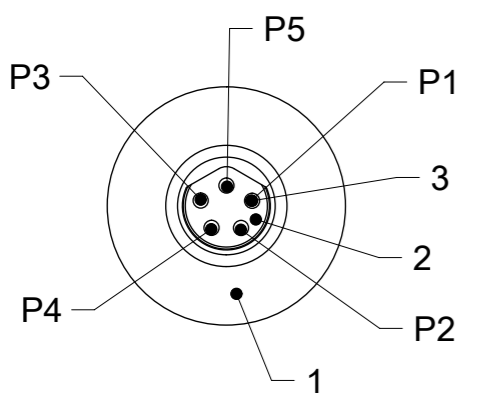


2x FIXING HOLES
SUITABLE FOR M4
SCREWS

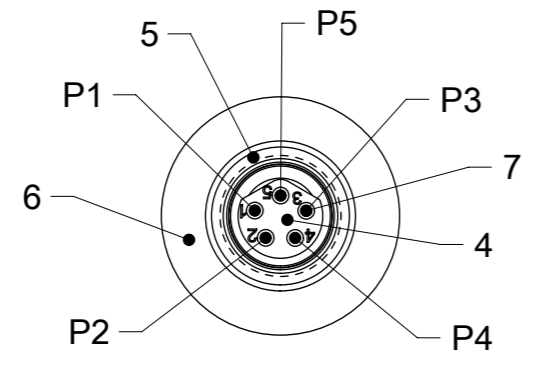
| | | | | | | | | | | | | | |
|---|---|------------|--------------------|--|---|---------------------------------------|-----------------------|---|----------------------------|--------------------------|-------------------------------|--|-----------------|
| THIS DRAWING CONTAINS INFORMATION THAT IS PROPRIETARY TO MOLEX INCORPORATED AND SHOULD NOT BE USED WITHOUT WRITTEN PERMISSION | | | | | | | | | | | | | |
| EC DESCRIPTION EC NO: 101382 DRWN: AAHLERS CHK'D: RSILLER APPR: RSILLER | 2015/10/07 | 2015/10/16 | 2015/10/16 | QUALITY SYMBOLS ∇ = 0 ∇ = 0 ∇ = 0 ▼ = 0 ∇ = 0 ⊠ = 0 ■ = 0 ∇ = 0 | GENERAL TOLERANCES (UNLESS SPECIFIED) ANGULAR TOL ± ° | | DIMENSION UNITS mm | SCALE 1:1 | | | | | |
| | 4 PLACES | ± | DRWN BY | | DATE | ULETTENMEIER 2015/03/24 | | DBO DN FULL M8 NO POWER 30 MM M8 5P MA AC M8 5P FE AC M8 3P 8PT FE | | | | | |
| | 3 PLACES | ± | CHK'D BY | | DATE | 2 PLACES ± 1 PLACE ± 0 PLACES ± | | APPR BY RSILLER | DATE 2015/05/20 | PRODUCT CUSTOMER DRAWING | | | |
| | DRAFT WHERE APPLICABLE MUST REMAIN WITHIN DIMENSIONS | | DRAWING SIZE A3 | | THIRD ANGLE PROJECTION | | SERIES 112092 | MATERIAL NUMBER SEE TABLE 1 | CUSTOMER GENERAL MARKET | | DOCUMENT NUMBER 1120925012 | | DOC TYPE PSD |

A
BUS IN:
1x MALE M12 4P A-CODE



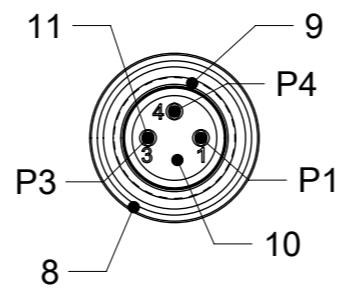
Wiring Information:
P1: SLD Shield
P2: DB B Line
P3: DG Ground
P4: DA A Line

B
BUS OUT:
1x FEMALE M12 5P A-CODE



Wiring Information:
P1: SLD Shield
P2: DB B Line
P3: DG Ground
P4: DA A Line

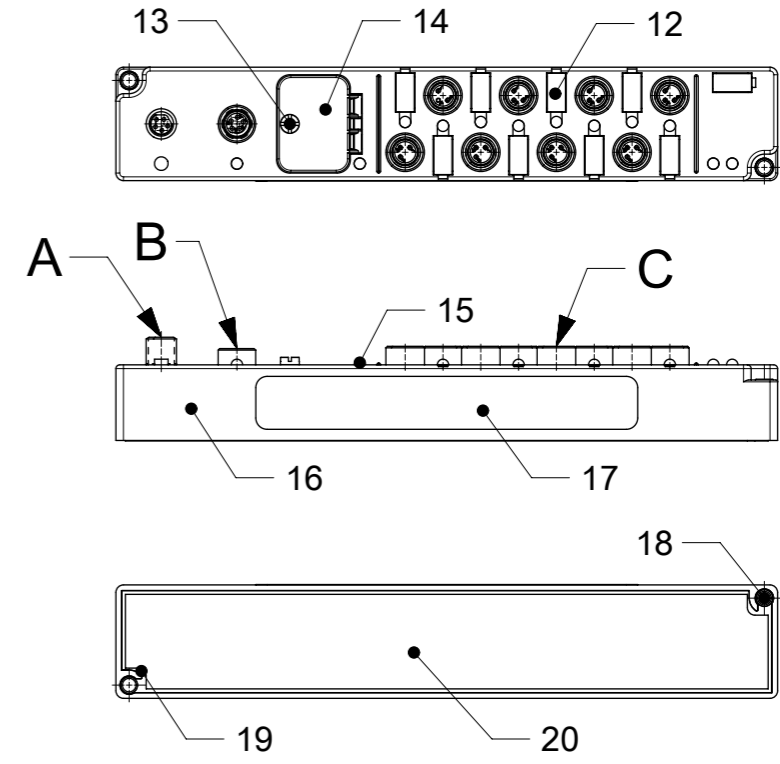
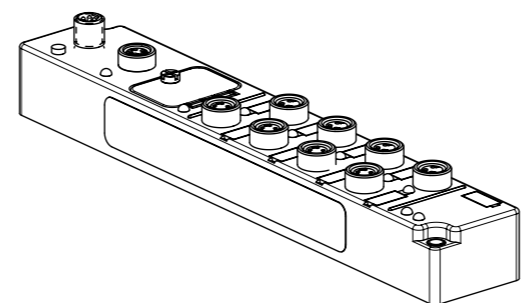
C
INPUT / OUTPUT:
8x FEMALE M8 3P



Wiring Information:
P1 - INPUT POWER SUPPLY
P3 - GND
P4 - INPUT

BILL OF MATERIAL

| ITEM | DESCRIPTION | MATERIAL | FINISH |
|------|-------------|--------------|------------------|
| 1 | SHELL | BRASS | NICKEL PLATET |
| 2 | INSERT | PA | TRANSPARENT |
| 3 | CONTACT | COPPER ALLOY | GOLD OVER NICKEL |
| 4 | INSERT | TPU | BLACK |
| 5 | GASKET | FPM | RED |
| 6 | SHELL | BRASS | NICKEL PLATET |
| 7 | CONTACT | COPPER ALLOY | GOLD OVER NICKEL |
| 8 | SHELL | BRASS | NICKEL PLATET |
| 9 | GASKET | FKM | RED |
| 10 | INSERT | TPU | BLACK |
| 11 | CONTACT | COPPER ALLOY | GOLD OVER NICKEL |
| 12 | LABEL | PC | WHITE |
| 13 | SCREW | V2A | V2A |
| 14 | WINDOW | PC | TRANSPARENT |
| 15 | LED | PA | TRANSPARENT |
| 16 | HOUSING | PBT | BLACK |
| 17 | LABEL | PVC | YELLOW |
| 18 | SLEEVE | BRASS | NICKEL |
| 19 | RESIN | EPOXY | TRANSPARENT |
| 20 | LABEL | PVC | WHITE |

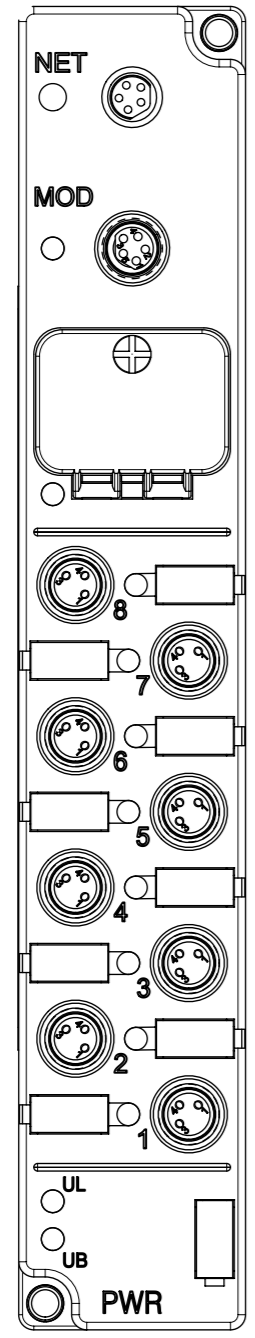


THIS DRAWING CONTAINS INFORMATION THAT IS PROPRIETARY TO MOLEX INCORPORATED AND SHOULD NOT BE USED WITHOUT WRITTEN PERMISSION

| | | | | |
|---|--|--|--|--|
| EC DESCRIPTION EC NO: 101382 DRWN: AAHLERS CHK'D: RSILLER APPR: RSILLER 2015/10/07 2015/10/16 2015/10/16 | QUALITY SYMBOLS ∇ = 0 ∇ = 0 ∇ = 0 ∇ = 0 ∇ = 0 ∇ = 0 ∇ = 0 ∇ = 0 ∇ = 0 | GENERAL TOLERANCES (UNLESS SPECIFIED) ANGULAR TOL ± ° 4 PLACES ± 3 PLACES ± 2 PLACES ± 1 PLACE ± 0 PLACES ± DRAFT WHERE APPLICABLE MUST REMAIN WITHIN DIMENSIONS | DIMENSION UNITS mm SCALE 1:1 DRWN BY ULETTENMEIER DATE 2015/03/24 CHK'D BY DATE APPR BY RSILLER DATE 2015/05/20 DRAWING SIZE A3 THIRD ANGLE PROJECTION | molex DBO DN FULL M8 NO POWER 30 MM M8 5P MA AC M8 5P FE AC M8 3P 8PT FE PRODUCT CUSTOMER DRAWING SERIES: 112092 MATERIAL NUMBER: SEE TABLE 1 CUSTOMER: GENERAL MARKET DOCUMENT NUMBER: 1120925012 DOC TYPE: PSD DOC PART: 000 SHEET NUMBER: 2 OF 3 |
|---|--|--|--|--|

9 8 7 6 5 4 3 2 1

E
D
C
B
A



8 IN

| TABLE 1 8 IN | | | | | |
|-----------------------------|----------------|----|----------------|------------|------------------|
| DEVICE NET FULL M8 NO POWER | | | | | |
| POWER TYPE | INPUT / OUTPUT | | ENG.NO. | MOLEX P/N | 3D MODEL NO. |
| M8 4 POLE | PNP | 8I | TBDDN-880P-H04 | 1120925012 | 1121015012 (PDM) |

THIS DRAWING CONTAINS INFORMATION THAT IS PROPRIETARY TO MOLEX INCORPORATED AND SHOULD NOT BE USED WITHOUT WRITTEN PERMISSION

| | | | | | | | |
|---|-----------------|---|-----------------|-----------------|--------------------------|---|--------------|
| EC DESCRIPTION EC NO: 101382 DRWN: AAHLERS CHK'D: RSILLER APPR: RSILLER 2015/10/07 2015/10/16 2015/10/16 | QUALITY SYMBOLS | GENERAL TOLERANCES (UNLESS SPECIFIED) ANGULAR TOL ± ° 4 PLACES ± 3 PLACES ± 2 PLACES ± 1 PLACE ± 0 PLACES ± DRAFT WHERE APPLICABLE MUST REMAIN WITHIN DIMENSIONS | DIMENSION UNITS | SCALE | | | |
| | ▽ = 0 | | mm | 1:1 | | | |
| | ∇ = 0 | | DRWN BY | DATE | | DBO DN FULL M8 NO POWER 30 MM M8 5P MA AC M8 5P FE AC M8 3P 8PT FE | |
| | ∇ = 0 | | UULETTENMEIER | 2015/03/24 | | | |
| | ∇ = 0 | | APP BY | DATE | PRODUCT CUSTOMER DRAWING | | |
| ∇ = 0 | RSILLER | 2015/05/20 | SERIES | MATERIAL NUMBER | CUSTOMER | | |
| ∇ = 0 | DRIVING SIZE | THIRD ANGLE PROJECTION | 112092 | SEE TABLE 1 | GENERAL MARKET | | |
| A1 | REV | ∇ = 0 | A3 | DOCUMENT NUMBER | DOC TYPE | DOC PART | SHEET NUMBER |
| | | | | 1120925012 | PSD | 000 | 3 OF 3 |

9 8 7 6 5 4 3 2 1