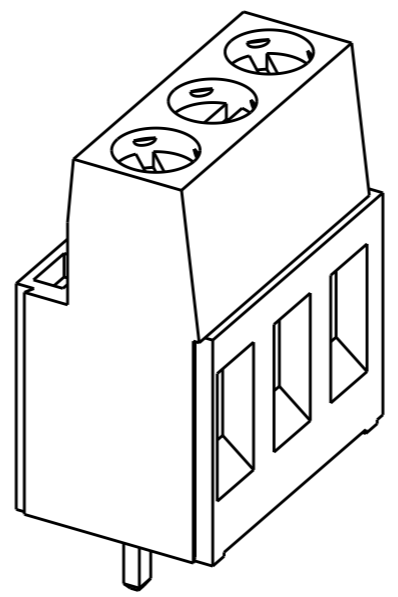
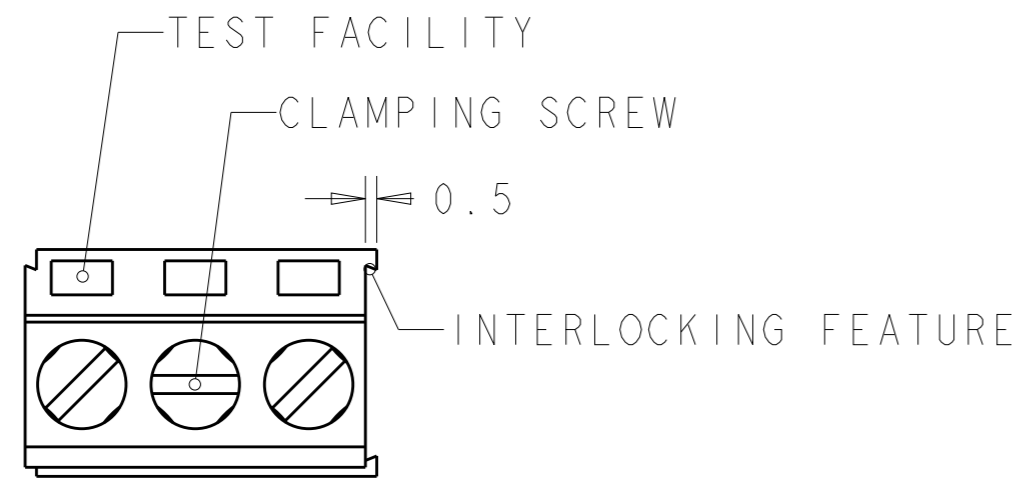
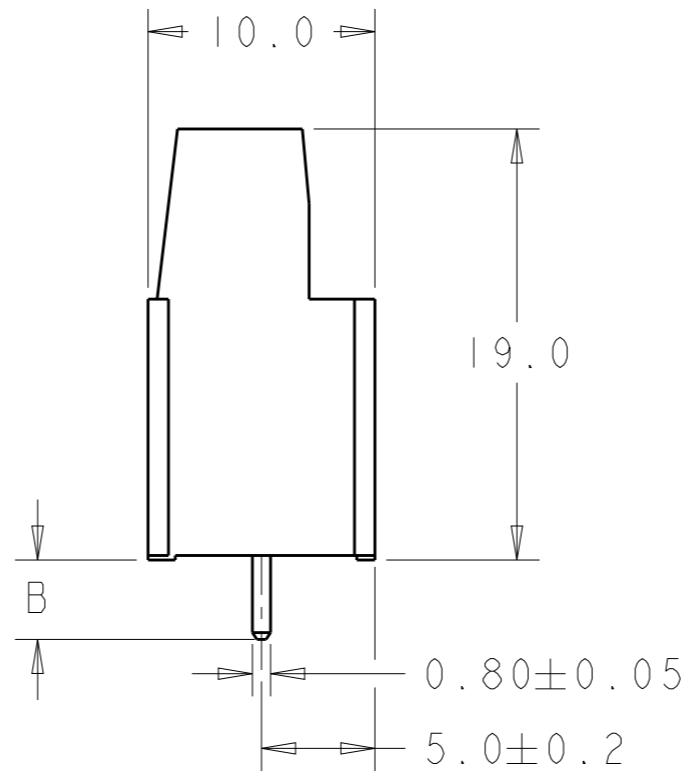
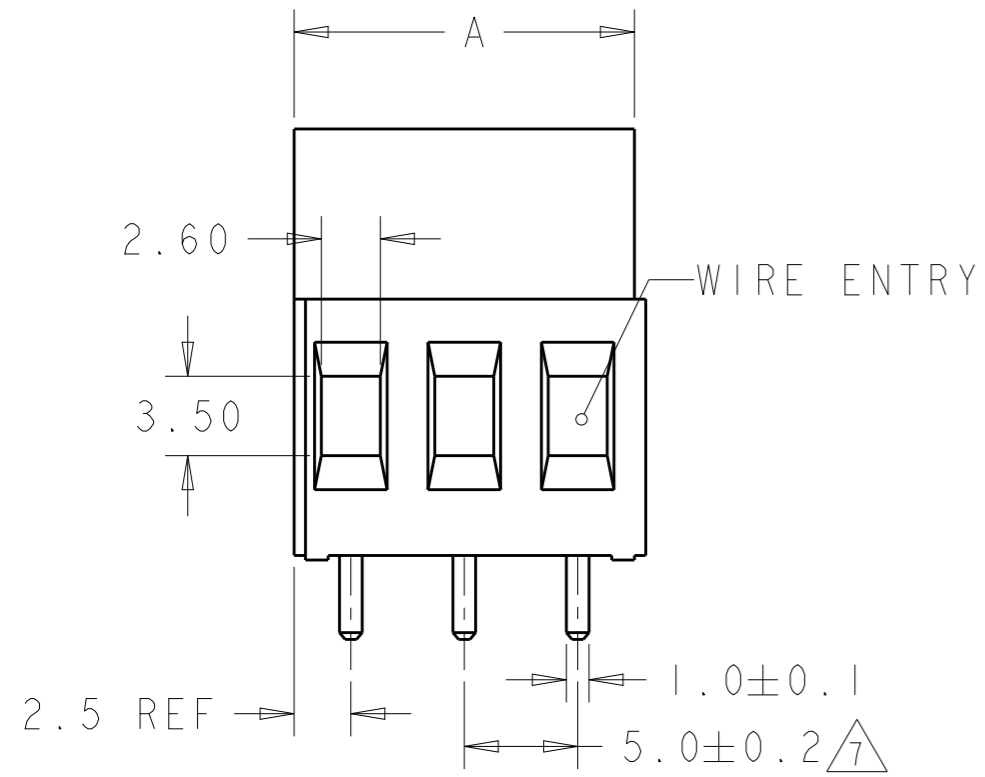


P	LTR	DESCRIPTION	DATE	DWN	APVD
D5		REVISED PER ECO-11-004820	11MAR2011	RK	HMR
D6		PART OBSOLETE	30AUG2020	DV	PS

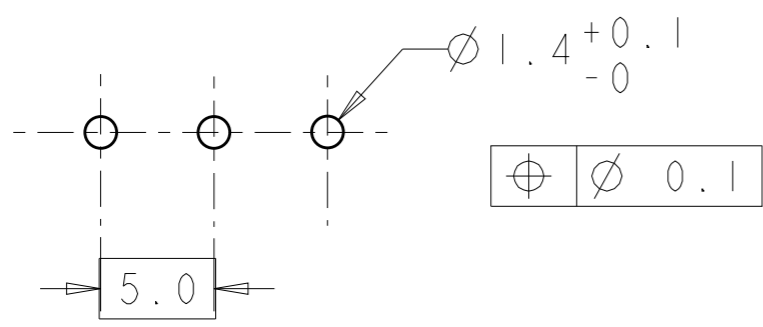


282856-3 AS SHOWN

COLOR	DIM.B	DIM.A	NO OF POS.	PART NUMBER
BLACK	7.0	10	2	2-282856-8
GREEN	7.0	10	2	<del>2-282856-7</del>
	4.5	10	2	<del>2-282856-6</del>
	3.5	125	25	<del>2-282856-5</del>
	3.5	120	24	<del>2-282856-4</del>
	3.5	115	23	<del>2-282856-3</del>
	3.5	110	22	<del>2-282856-2</del>
	3.5	105	21	<del>2-282856-1</del>
	3.5	100	20	<del>2-282856-0</del>
	3.5	95	19	<del>1-282856-9</del>
	3.5	90	18	1-282856-8
	3.5	85	17	<del>1-282856-7</del>
	3.5	80	16	<del>1-282856-6</del>
	3.5	75	15	<del>1-282856-5</del>
	3.5	70	14	1-282856-4
	3.5	65	13	1-282856-3
	3.5	60	12	1-282856-2
	3.5	55	11	1-282856-1
	3.5	50	10	1-282856-0
	3.5	45	9	282856-9
	3.5	40	8	282856-8
	3.5	35	7	<del>282856-7</del>
	3.5	30	6	282856-6
	3.5	25	5	282856-5
	3.5	20	4	282856-4
	3.5	15	3	282856-3
GREEN	3.5	10	2	282856-2



RECOMMENDED PC BOARD LAYOUT




THIS DRAWING IS A CONTROLLED DOCUMENT.		DWN E. ZANOLINI 23AUG2001	TE Connectivity	
DIMENSIONS: mm		CHK D. BIEVENOUR 23AUG2001		
TOLERANCES UNLESS OTHERWISE SPECIFIED:		APVD D. BIEVENOUR 23AUG2001	NAME TERMINAL BLOCK PCB MOUNT SIDE ENTRY WIRE, STACKING W/INTERLOCK, 5mm PITCH	
0 PLC ±.3 1 PLC ±.3 2 PLC ±.25 3 PLC ±. 4 PLC ±. ANGLES ±2		PRODUCT SPEC 108-20166	RESTRICTED TO	
MATERIAL		APPLICATION SPEC 114-20079	SIZE A3	CAGE CODE 00779
FINISH		WEIGHT -	DRAWING NO C-282856	REV D6
CUSTOMER DRAWING			SCALE 3:1	SHEET 1 OF 2

REVISIONS

P	LTR	DESCRIPTION	DATE	DWN	APVD
	-	SEE SHEET 1	-	-	-

- 1 MATERIALS AND FINISH  
HOUSING: PA 6-6, UL 94-V0, COLOR SEE TABLE.  
CLAMP: BRASS, NICKEL PLATED.  
TERMINAL: BRASS, TIN PLATED.  
CLAMPING SCREW: M3, BRASS, NICKEL PLATED.
- 2 SUITABLE FOR 1,6-2,4mm PC BOARD THICKNESS.
- 3 END-TO-END STACKABLE W/INTERLOCK WITHOUT LOSS OF CENTERLINE SPACING.
- 4 WIRE SIZE RANGE  
SOLID WIRE: 0,03-4mm<sup>2</sup> (11AWG).  
STRANDED WIRE: 0,03-2,5mm<sup>2</sup> (13AWG).
- 5 RECOGNIZED UNDER THE COMPONENT PROGRAM OF UNDERWRITERS LABORATORIES INC. FILE N° E60677.
- 6 IMQ CERTIFICATE WITH SURVEILLANCE IN CONFORMITY WITH IEC 998-1/998-2-1.

- 7 NOT CUMULATIVE TOLERANCE.
- 8 PRELIMINARY PART NUMBER
- 9 PART OBSOLETE

THIS DRAWING IS A CONTROLLED DOCUMENT.		DWN E. ZANOLINI 23AUG2001	 TE Connectivity													
DIMENSIONS: mm		CHK D. BIEVENOUR 23AUG2001														
TOLERANCES UNLESS OTHERWISE SPECIFIED:		APVD D. BIEVENOUR 23AUG2001	NAME TERMINAL BLOCK PCB MOUNT SIDE ENTRY WIRE, STACKING W/INTERLOCK, 5mm PITCH													
<table border="0"> <tr><td>0 PLC</td><td>±-</td></tr> <tr><td>1 PLC</td><td>±.3</td></tr> <tr><td>2 PLC</td><td>±.25</td></tr> <tr><td>3 PLC</td><td>±-</td></tr> <tr><td>4 PLC</td><td>±-</td></tr> <tr><td>ANGLES</td><td>±2</td></tr> </table>		0 PLC	±-	1 PLC	±.3	2 PLC	±.25	3 PLC	±-	4 PLC	±-	ANGLES	±2	PRODUCT SPEC 108-20166	RESTRICTED TO	
0 PLC	±-															
1 PLC	±.3															
2 PLC	±.25															
3 PLC	±-															
4 PLC	±-															
ANGLES	±2															
MATERIAL		APPLICATION SPEC 114-20079	SIZE A3	CAGE CODE 00779	DRAWING NO C-282856											
FINISH		WEIGHT -	SCALE 3:1 SHEET 2 OF 2 REV D6													
		CUSTOMER DRAWING														