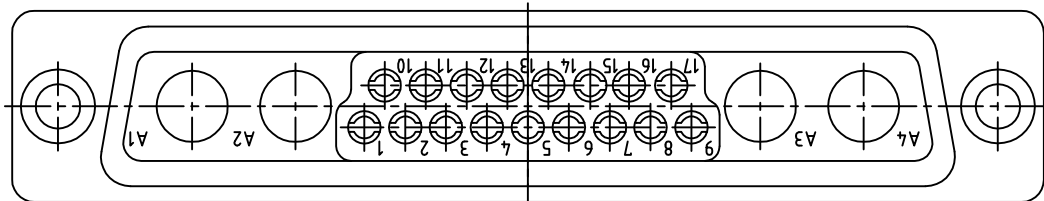
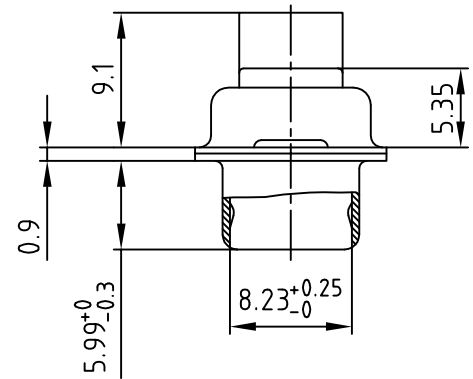
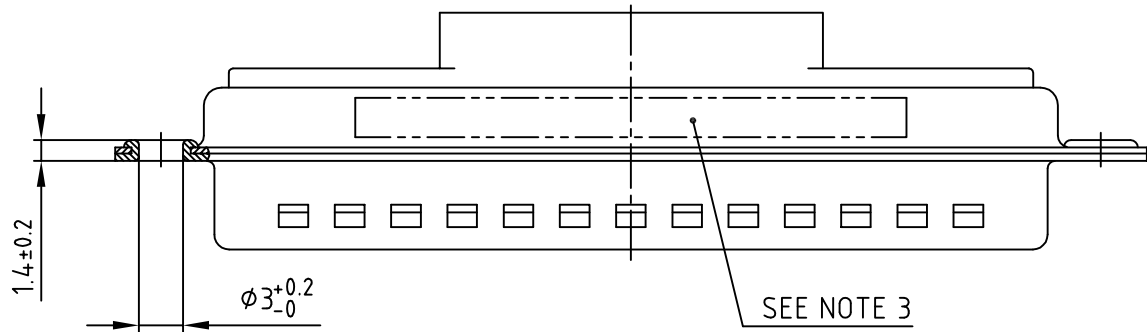
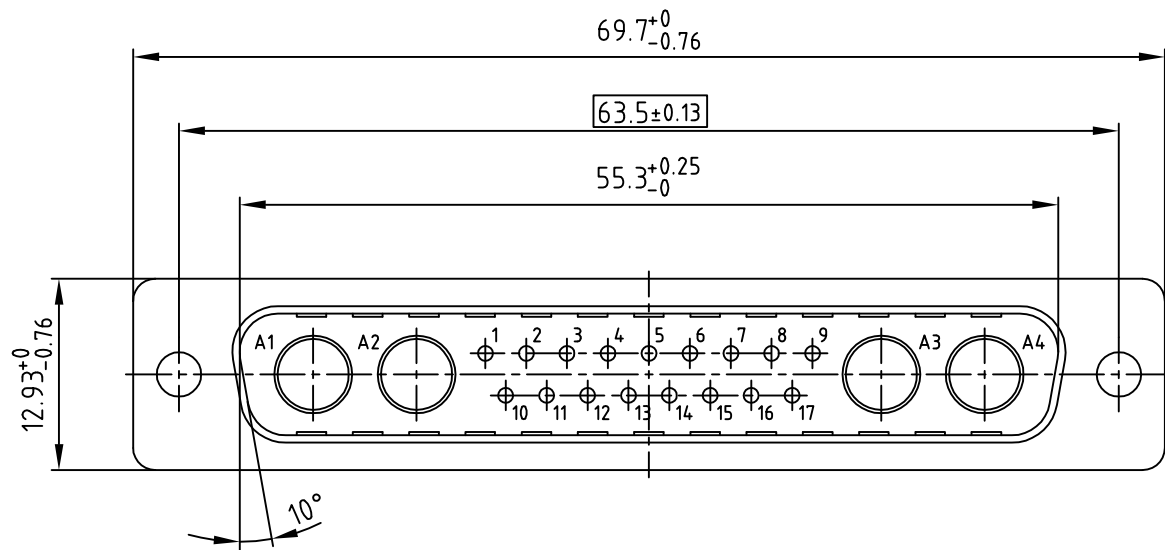


used for: D-SUB COMBINATION CRIMP



NOTES:

1. METALSHELLS: STEEL: TIN PLATED
2. INSULATORS: PBTP GF UL 94 V-0; BLACK
3. CONNECTOR IS PART MARKED: PART NO: CONEC Y/WW
4.  = CRITICAL DIMENSION: SPC

THIS DRAWING MAY NOT BE COPIED OR REPRODUCED IN ANY WAY, AND MAY NOT BE PASSED ON TO A THIRD PARTY WITHOUT WRITTEN PERMISSION. OWNERSHIP AND COPYRIGHT OF CONEC GmbH DO NOT ALTER CAD DRAWING BY HAND				tolerance		scale: 2:1			
				1999	date	name	material: SEE NOTES		
				drawn	06.05.	Barcinski	title: D-SUB COMBINATION MALE CRIMP STYLE 21WA4P		
				appd.	06.05.	Mickenbecker			
				norm			dwg no: AutoCAD/REL.14 DIN-A		
				d-old			13K1P6A 3		
				<b>CONEC</b> <sup>®</sup>			sh:1/1		
rev.	description	date	name				part no: 321WA4P XK99A10X		