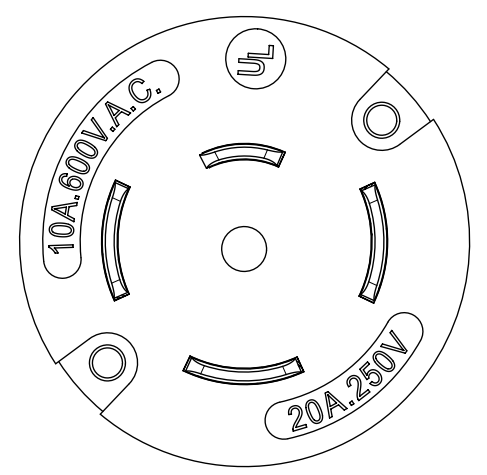
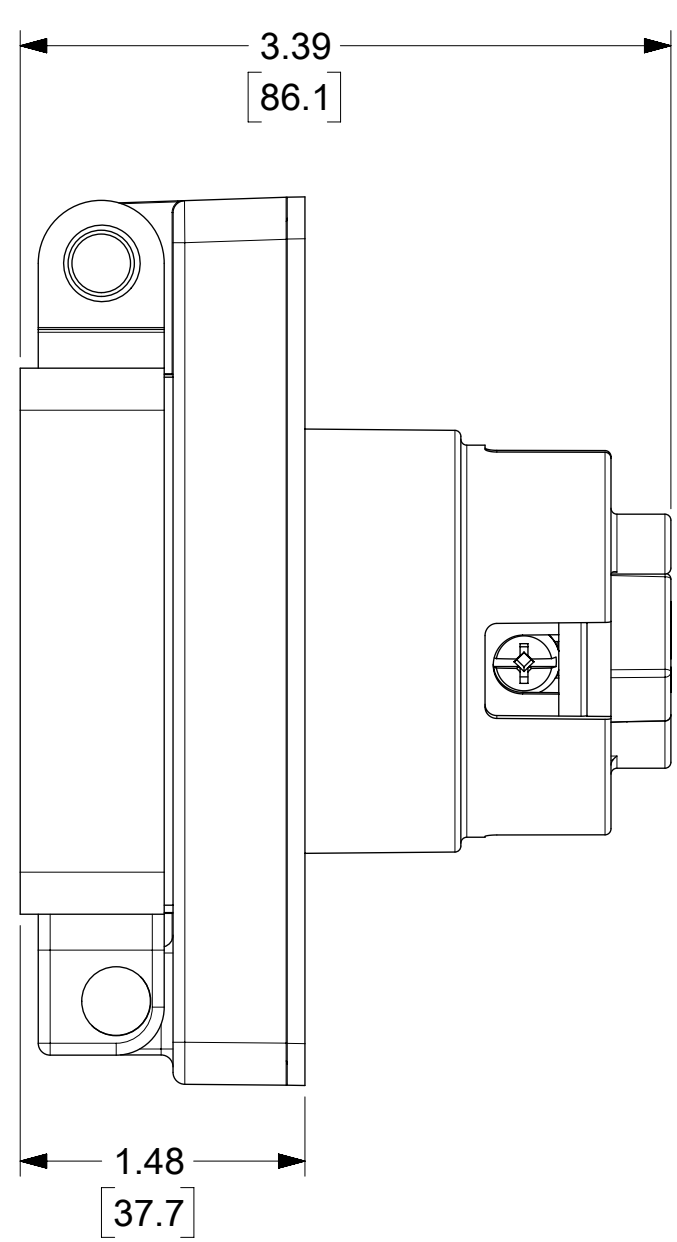
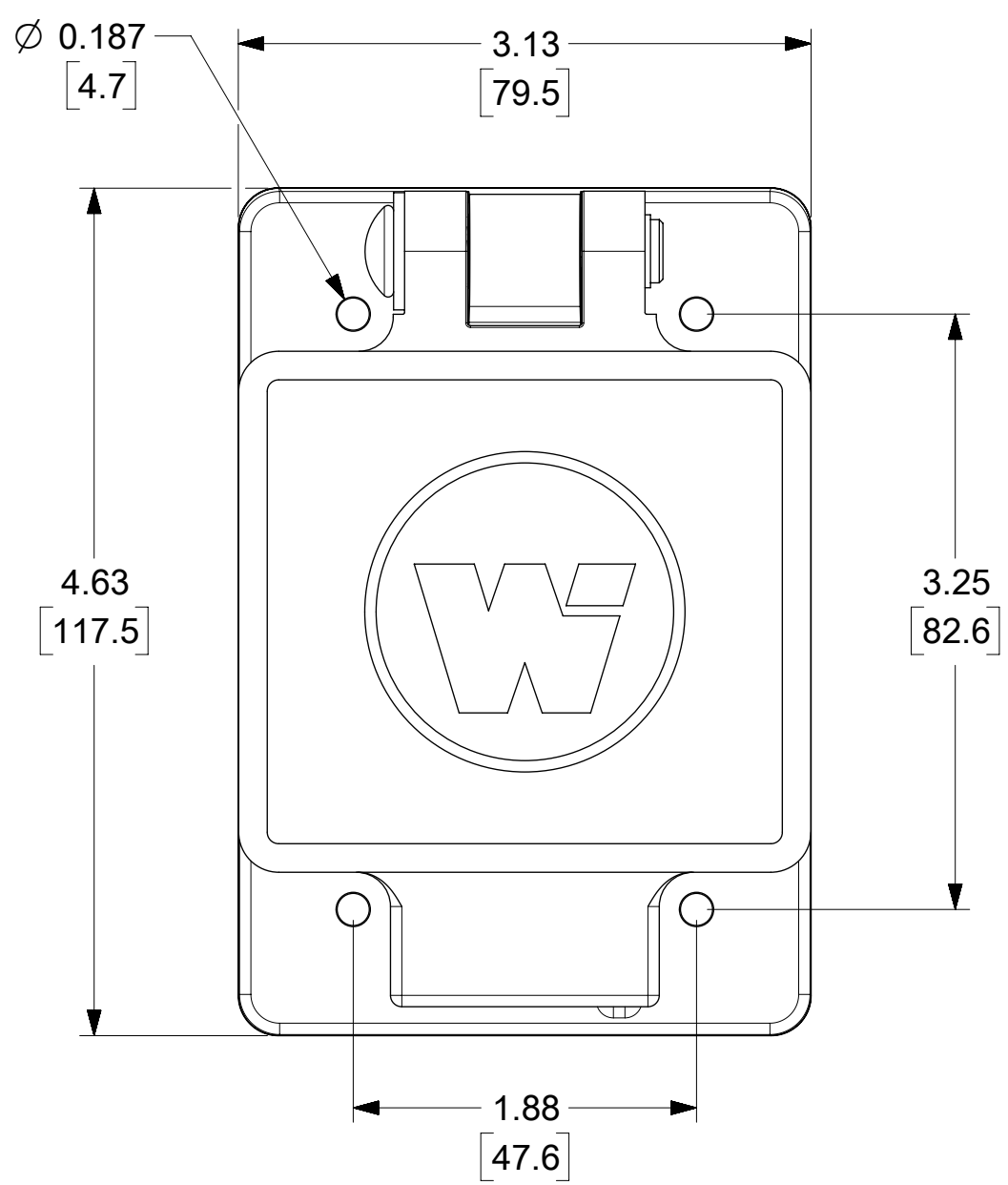
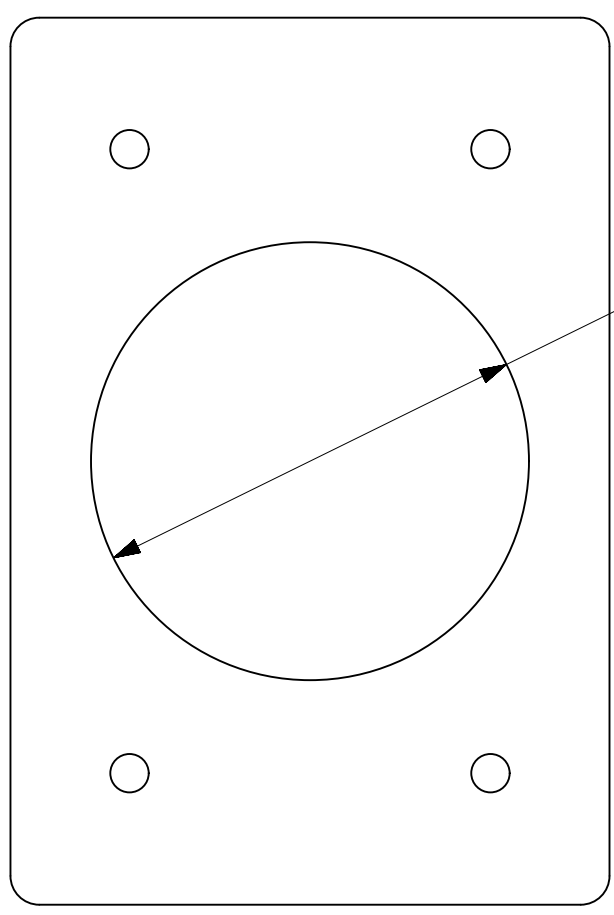
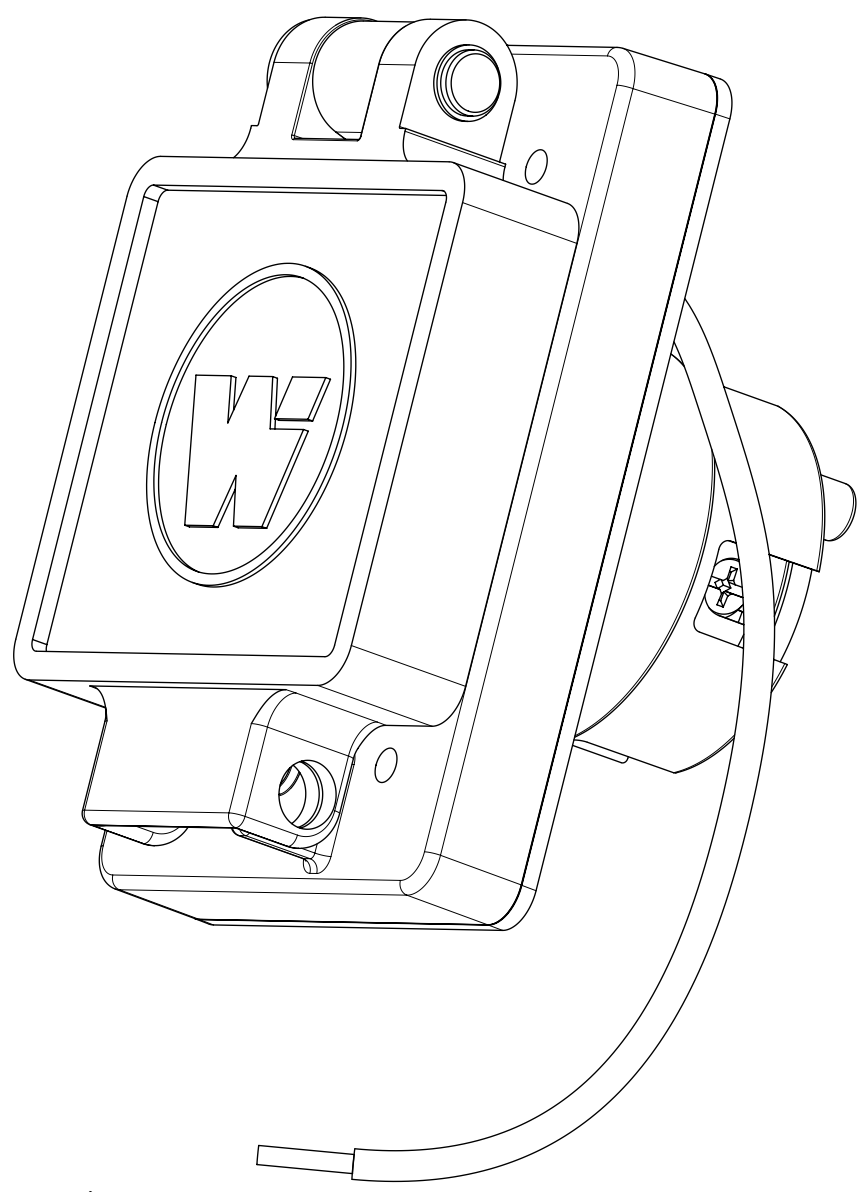


ORDER NO.	WOODHEAD NO.	COLOR
130147-0126	66W10	YELLOW



FACE VIEW



CLEARANCE HOLE (FOR PANEL MOUNT)

DESCRPTION	MATERIAL	QTY.
BLADES	BRASS, NICKEL PLATED	3
RETAINING SCREWS	STAINLESS STEEL	3
CLAMP AND TERMINAL SCREW ASSY.	BRASS, ZINC PLATED	3
MALE INSERT	NYLON	1
TERMINAL COVER	POLYCARBONATE	1
COVER ASSEMBLY	POLYCARBONATE, STAINLESS STEEL, ALUMINUM	1
GASKET FLIP	NEOPRENE	1
MOTOR BASE MTG ASSY	POLYCARBONATE, STAINLESS STEEL, BRASS	1
SCREW (GROUND WIRE)	STAINLESS STEEL	1
JUMPER WIRE ASSY	COPPER, BRASS (TINNED FINISH)	1

THIS DRAWING CONTAINS INFORMATION THAT IS PROPRIETARY TO MOLEX ELECTRONIC TECHNOLOGIES, LLC AND SHOULD NOT BE USED WITHOUT WRITTEN PERMISSION									
SYMBOLS		DIMENSION UNITS		SCALE		CURRENT REV DESC: MIGRATE TO ECTR/NX			
= 0		INCH[MM]		NTS		<b>molex</b> WATERTITE MOTOR BASE COVERPLATE 4P5W NON-NEMA			
= 0		GENERAL TOLERANCES (UNLESS SPECIFIED)							
= 0		4 PLACES ±		MM		INCH		EC NO: 614004	
= 0		3 PLACES ±						DRWN: SRPATIL 2018/12/27	
= 0		2 PLACES ±						CHK'D: DNGUYEN62 2019/03/19	
= 0		1 PLACE ±						APPR: HKNEELAND 2019/03/22	
= 0		0 PLACES ±						INITIAL REVISION:	
= 0		ANGULAR TOL ± °						DRWN: SRPATIL 2018/12/27	
= 0		DRAFT WHERE APPLICABLE MUST REMAIN WITHIN DIMENSIONS						APPR: HKNEELAND 2019/03/22	
= 0		THIRD ANGLE PROJECTION		DRAWING		SERIES		MATERIAL NUMBER	
		C-SIZE		130147		SEE TABLE		CUSTOMER	
						GENERAL MARKET		SHEET NUMBER	
								1 OF 1	