

THIS IS A C.A.D. GENERATED DRAWING
DO NOT MAKE MANUAL REVISIONS TO MASTER.



ISSUE NUMBER

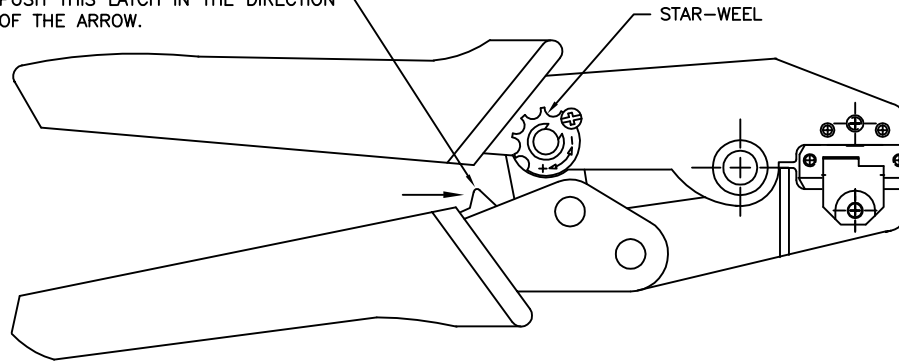
ORIGINAL ①

ADD CC0-293-428

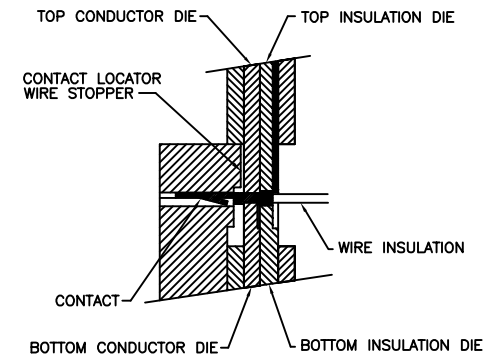
UPDATE PN TABLE

J.L. NOV.21/2022 ②

TO OPEN PARTIALLY CLOSED TOOL
PUSH THIS LATCH IN THE DIRECTION
OF THE ARROW.



STAR-WHEEL



SECTION THROUGH DIE NEST
WITH CONTACT IN POSITION

CRIMP STRENGTH

WIRE AWG	SINGLE WIRE	DOUBLE WIRE
22 AWG	8.0 LBS	16.0 LBS

- 1- THIS HAND TOOL IS DESIGNED FOR CRIMPING 22 AWG WIRES TO EDAC CONTACT P/N CC0-290-028 / CC0-293-428.
- 2- RISK OF ELECTRIC SHOCK- DO NOT USE THIS ON LIVE WIRE.
- 3- CRIMPING INSTRUCTIONS:
 - OPEN THE TOOL, PLACE THE CONTACT INTO THE CORRECT DIE NEST.
 - PARTIALLY CLOSE THE TOOL UNTIL THE CONTACT IS HELD IN PLACE. INSERT THE WIRE INTO THE CONTACT.
 - CLOSE THE TOOL UNTIL THE RATCHET RELEASES. REMOVE THE CRIMPED CONTACT.
- 4- ADJUSTMENT OF CRIMP FORCE (WHEN NECESSARY):
 - LOOSEN THE SCREW
 - ADJUST THE STAR-WHEEL BY TURNING FROM (-) TO(+).
 - CHECK THE PRELOAD AND THE CRIMP FORCE.

TOOL PART NUMBER: CC0-280-201

CC0 SERIES HAND CRIMP TOOL INSTRUCTIONS



YOUR CONNECTION TO QUALITY & SERVICE

EDAC INC
TORONTO, ONTARIO
CANADA

THESE DRAWINGS AND SPECIFICATIONS
ARE THE PROPERTY OF EDAC INC.,AND
SHALL NOT BE REPRODUCED,OR COPIED
OR USED AS THE BASIS FOR THE
MANUFACTURE OR SALE OF APPARATUS
WITHOUT WRITTEN PERMISSION.

ACAD REFERENCE NO. CC0-280-201

DRAWN: K.L.

DATE:AUG.17/2020

CHECKED: R.S.M.

DATE:NOV.21/2022

SCALE: N.T.S.

SHEET 1 OF 2

DRAWING NUMBER

CC0-280-201

ISSUE

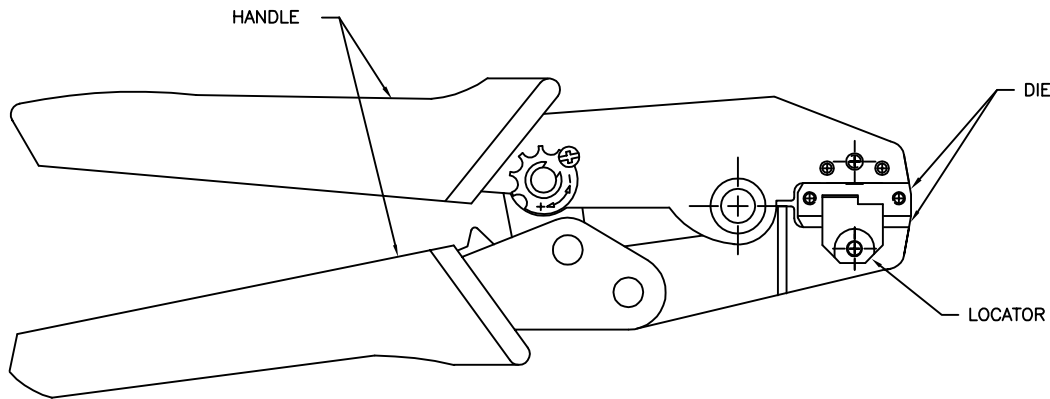
2

THIS IS A C.A.D. GENERATED DRAWING
DO NOT MAKE MANUAL REVISIONS TO MASTER.



ISSUE NUMBER

SEE PAGE 1

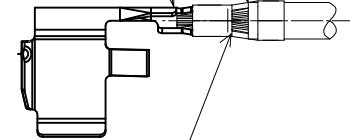


KEEP THE WIRE TO APPEAR

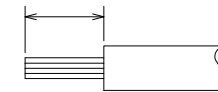
KEEP THE INSULATION TO APPEAR
BE SURE NOT TO ENCROACH ON THE WIRE BARREL

BELL MOUTH MUST EXIST

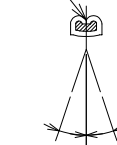
SEAM MUST BE CLOSED
WIRE MUST NOT BE EXPOSED



2.5~3.5



WIRE STRIP LENGTH



ROLLING ± 3'

CRIMP ASM*	HANDLE	LOCATOR
CC0-280-201	CC0-281-001	CC0-282-001

* Assembly includes: Handle and Locator. Parts are available for purchase separately.

CC0 SERIES HAND CRIMP TOOL INSTRUCTIONS

EDAC EDAC INC
TORONTO, ONTARIO
CANADA
YOUR CONNECTION TO QUALITY & SERVICE

THESE DRAWINGS AND SPECIFICATIONS
ARE THE PROPERTY OF EDAC INC., AND
SHALL NOT BE REPRODUCED, OR COPIED
OR USED AS THE BASIS FOR THE
MANUFACTURE OR SALE OF APPARATUS
WITHOUT WRITTEN PERMISSION.

ACAD REFERENCE NO. CC0-280-201

DRAWN: K.L.

DATE: AUG.17/2020

CHECKED: R.S.M.

DATE: NOV.21/2022

SCALE: N.T.S.

SHEET 2 OF 2

DRAWING NUMBER

CC0-280-201

ISSUE

2