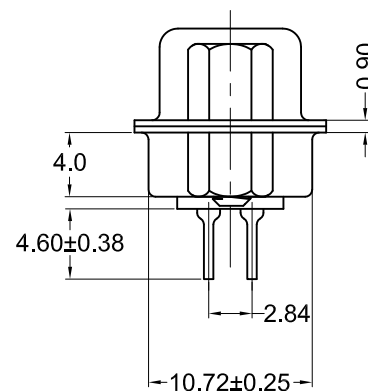
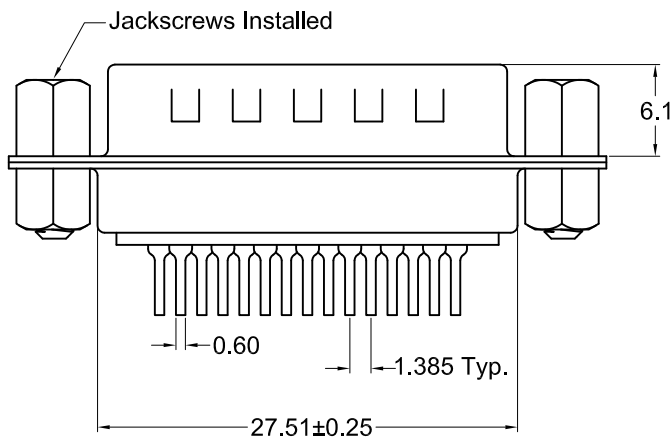


Recommended PCB Layout
(Top View)



Material and Finish

- Shell: Steel, nickel plated
- Insulator: PBT thermoplastic with glass-fiber reinforcement, UL94V-0 rated, Color: Black
- Contact Material: Plug - Brass
- Contact Plating Options:
 - Standard: gold flash on mating end, tin on termination end, nickel underplate on entire contact
 - 15 Option: 15u" gold on mating end, tin on termination end, nickel underplate on entire contact
 - 30 Option: 30u" gold on mating end, tin on termination end, nickel underplate on entire contact

Electrical Specifications

- Rated Current: 2A
- Rated Voltage: 30V RMS
- Insulation Resistance: more than 1000 megohms at 500V DC
- Contact Resistance: 13 milliohms max.
- Dielectric Withstanding Voltage: 1000V for 1 minute
- Operating Temperature: -55°C to +105°C

Part Number	Contact Area Plating Finish
K85X-AD-15P-KJ	Gold Flash (standard)
K85X-AD-15P-KJ15	15u" Gold (15 option)
K85X-AD-15P-KJ30	30u" Gold (30 option)



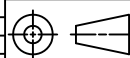
Tolerances
X.X ± 0.25
X.XX ± 0.15
Unless Stated Otherwise

REV.	DATE	DESCRIPTION	REV. BY	CHK. BY	DRAWN BY	DATE
A1	02/25/09	New Drawing	S. Vien	H. MA		
A2	12/31/17	ECO #17-030	J. Elbanna	C. Furumasu	S. Vien	01/16/09

K85X-AD-15P-KJ

D-Sub, Vertical, PCB Mount, RoHS Compliant

15 Pin Male, JS, Threaded Bushings



UNITS
mm