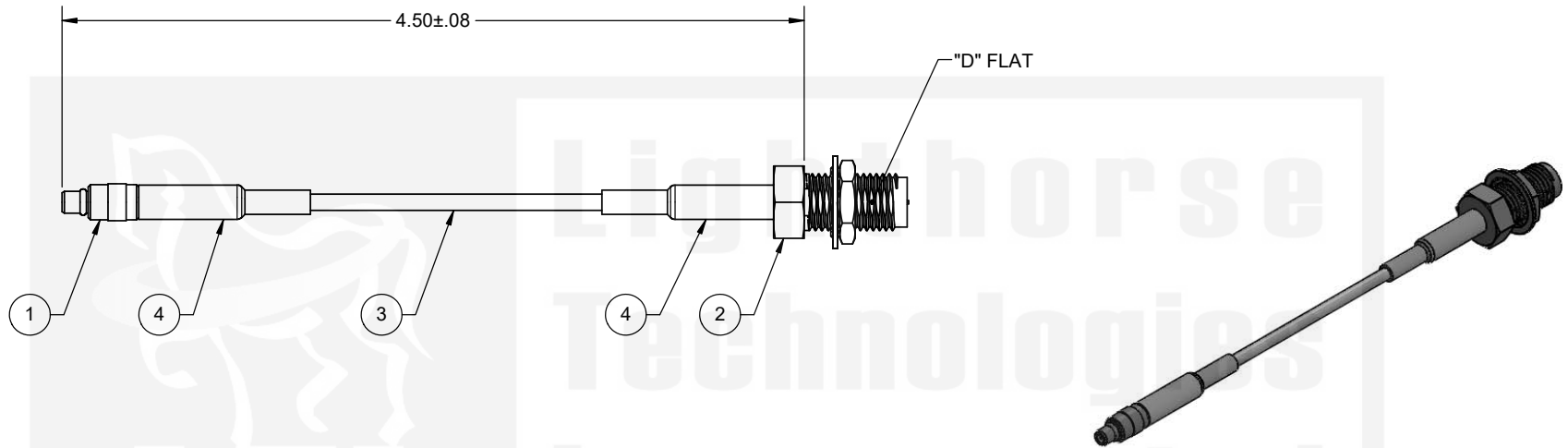



REVISIONS				
REV	ECR	DESCRIPTION	DRAWN	DATE
1		ENGINEERING RELEASE	M. LARSEN	03/24/2023



ITEM	PART NUMBER	DESCRIPTION	QTY
1	MCSM11GT-178	MMCX, STRAIGHT, PLUG, CABLE CRIMP, RG-178 COAX	1
2	SASRF13RGT-316	RP-SMA, STRAIGHT, REV POL JACK, CABLE CRIMP, BULKHEAD MNT	1
3	CABLE	CABLE, RG-178 COAX	AR
4	HEAT SHRINK	.125 (1/8) DIA, .75 LENGTH, GREEN	1

DO NOT SCALE DRAWING		 Lighthouse Technologies San Diego, CA WWW.FPCONNECTOR.COM
TOLERANCES UNLESS OTHERWISE SPECIFIED DIMENSIONS ARE IN MILLIMETERS		
X = ±0.5 XX = ±0.25 XXX = ±0.13 ANGLE = ±30°		TITLE: CABLE ASSEMBLY, MMCX PLUG TO RP-SMA JACK BULKHEAD, CRIMP USING RG-178 COAX
THIRD ANGLE PROJECTION		SIZE: B PART/DWG. NO.: CBG-MCMGT-SARF3GT-4.5IN REV: 1
CUSTOMER APPROVAL SIGN / DATE: _____ ENG APPR. _____ CHECKED _____ DRAWN: M. LARSEN 03/24/2023 NAME DATE		SCALE: 4:1 FILE NAME SHEET 1 OF 1

PROPRIETARY AND CONFIDENTIAL
 UNLESS OTHERWISE SPECIFIED, THIS DOCUMENT CONTAINS LIGHORSE TECHNOLOGIES INFORMATION. REPRODUCTION, USE, DISCLOSURE OR TRANSMITTAL OF ALL OR ANY PART OF THIS DOCUMENT IS PROHIBITED EXCEPT TO THE EXTENT APPROVED IN WRITING BY AN AUTHORIZED REPRESENTATIVE OF LIGHORSE TECHNOLOGIES. LIGHORSE TECHNOLOGIES RESERVES ALL RIGHTS UNDER PATENTS, TRADEMARKS, COPY RIGHTS AND TRADE SECRETS. COPY RIGHTS OF LIGHORSE TECHNOLOGIES 2011, ALL RIGHTS RESERVED.

