

Features

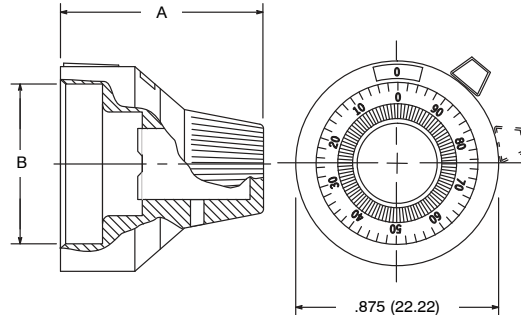
- Vernier Scale
- Set Screw for Mounting (Included)
- Brake Lever Knob
- Open Window Display
- Available in Three Finish Types:
 - Chrome Finish (503-0004-C)
 - Satin Chrome Finish (503-0004, 503-0010)
 - Black Chrome Finish (503-0005)



7/8" Dia. 503 Series

Dial – 7/8" diameter, 1/4" dia shaft

D2



NTE Part No.	A	B
503-0004	.875 (22.22)	.625 (15.88)
503-0004-C	.906 (23.00)	.650 (16.50)
503-0005	.875 (22.22)	.625 (15.88)
503-0010	.925 (23.50)	N/A

Note: Mounting bracket may vary

NTE Part No.	Equivalent Spectrol No.	Numeric Display	Marking	No. of Turns	Diag No.
503-0004	18-1-11**	Vernier Scale	Black	15	D2
NEW 503-0004-C	-	Vernier Scale	Black	15	D2
503-0005	18-1-21	Vernier Scale	White	15	D2
NEW 503-0010	-	Vernier Scale	Black Trim, White	10	D2

** 16-1-11 has been discontinued by Spectrol and has been replaced by 18-1-11.

Specifications

Operation

Readout and Operation: Unit shall register a total count of 10 or 15 turns, depending on the device. The number in the window indicates completed number of turns of the drive sleeve. Graduated circular dial indicates the percent of a partial turn of the drive sleeve.

Dial Division: 50 per turn

Brake Lever: Locking mechanism, positive action.

Accuracy: Backlash shall be zero between graduated dial and drive sleeve

Rotation: The indication shall increase with clockwise and decrease with a counterclockwise rotation.

Transfer Point: The number in the center of the window shall change as graduated dial rotates.

Mechanical

Shaft Bore: 0.250"

Mounting: For ALL devices, excluding the 503-0010, Install mounting bracket (included) between panel and panel nut. Multidial shall mount directly to shaft with spline socket set screw, located adjacent to No. 50 on graduated dial (hex key included).

For mounting the **503-0010 ONLY**, the following steps need to be performed:

1. Remove plastic cap from top of dial.
2. Loosen screw in a counter-clockwise direction and remove sleeve from inside dial.
3. Insert potentiometer shaft into sleeve.
4. Insert the sleeve into the dial
5. Tighten the screw in a clockwise direction to grip the potentiometer shaft.
6. Replace the plastic cap.