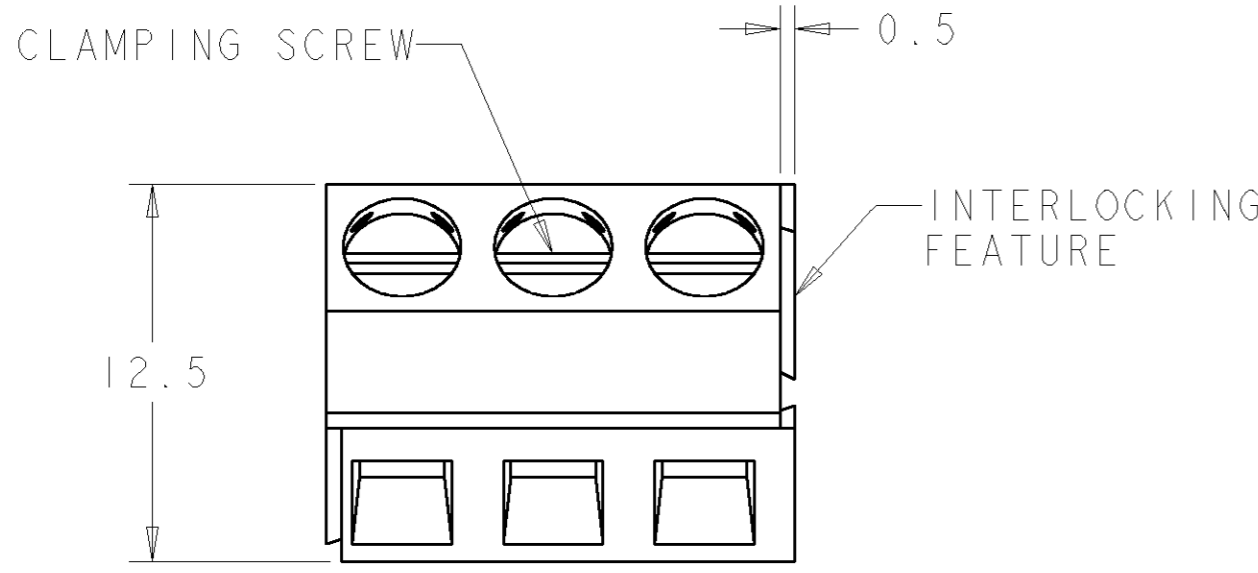
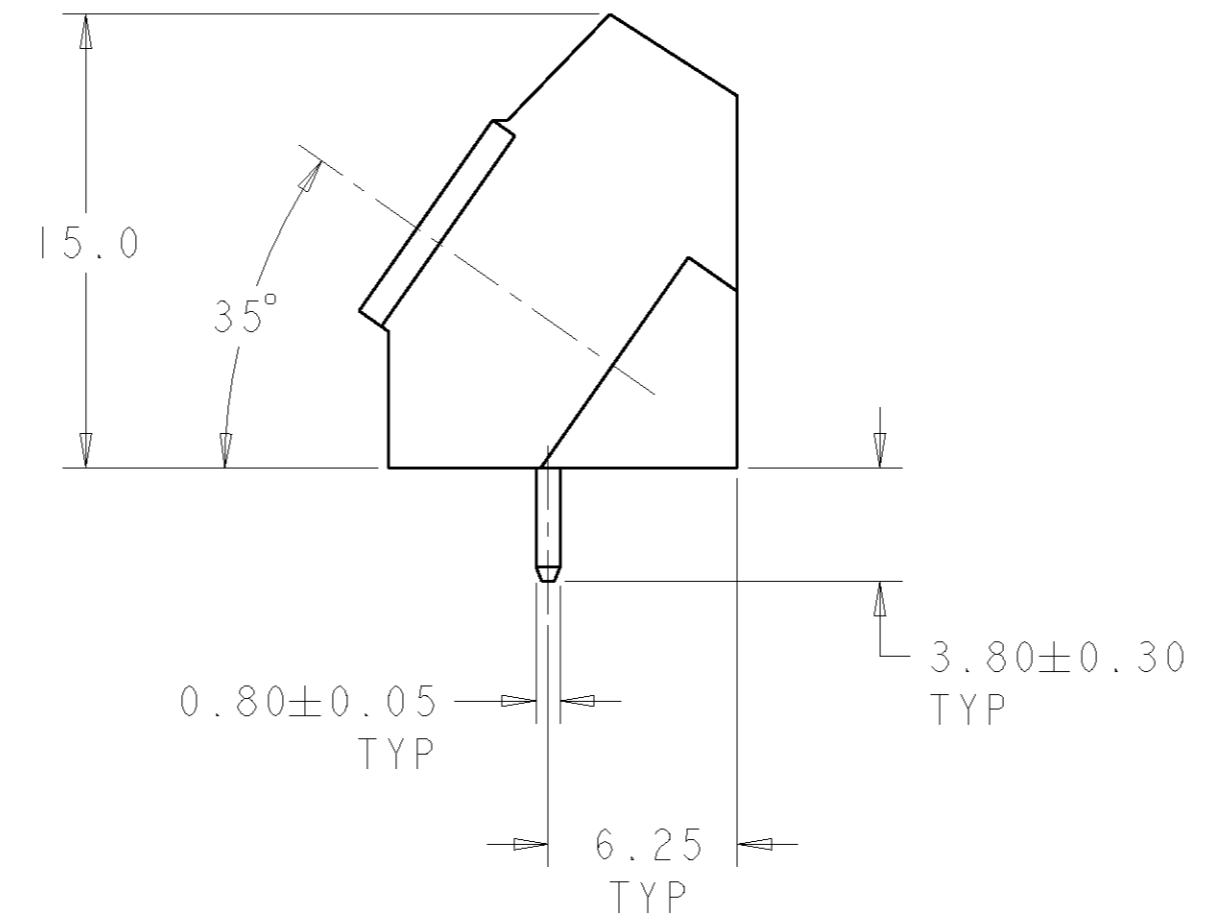
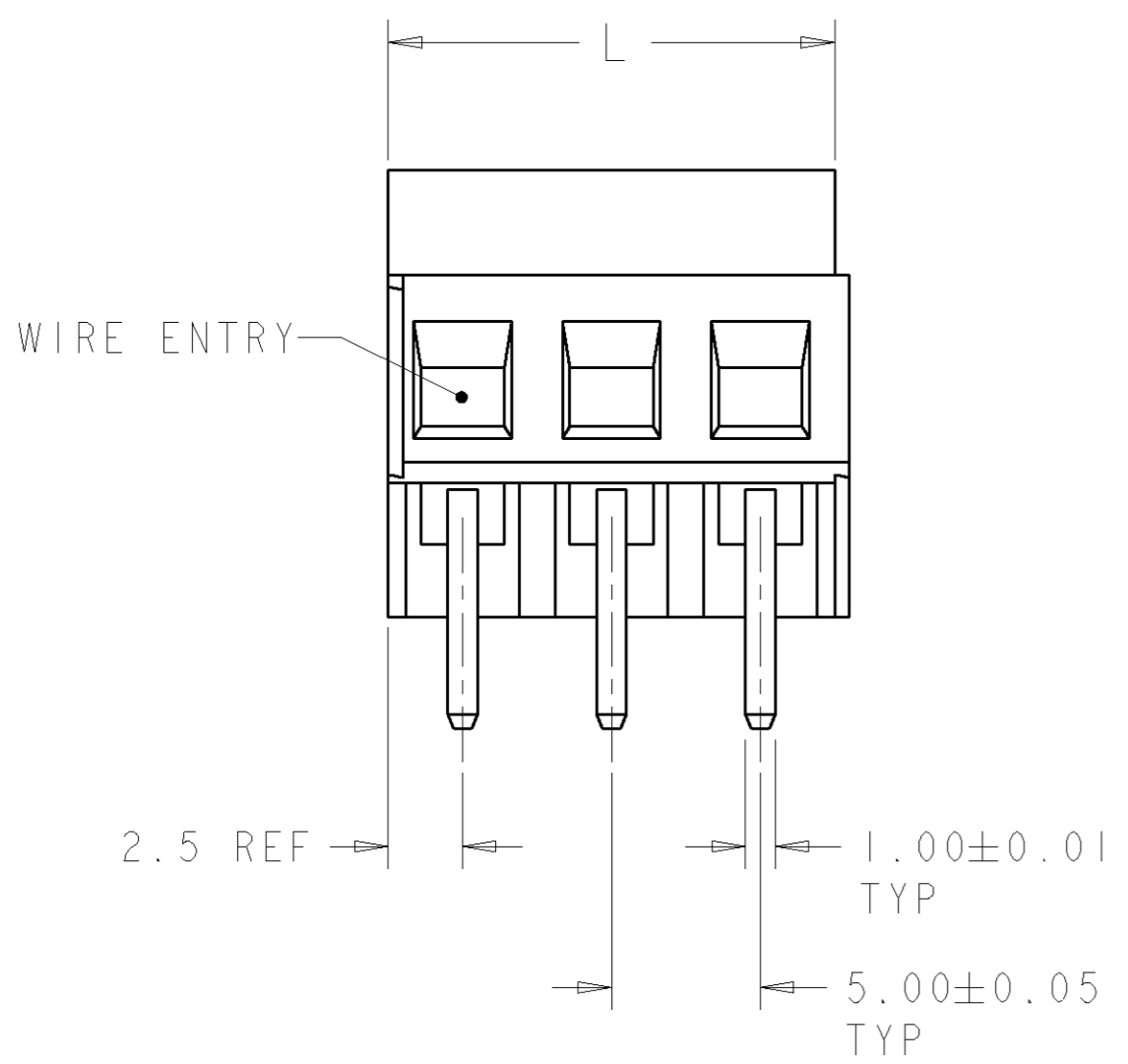


THIS DRAWING IS UNPUBLISHED. RELEASED FOR PUBLICATION 20  
 © COPYRIGHT BY ALL RIGHTS RESERVED.

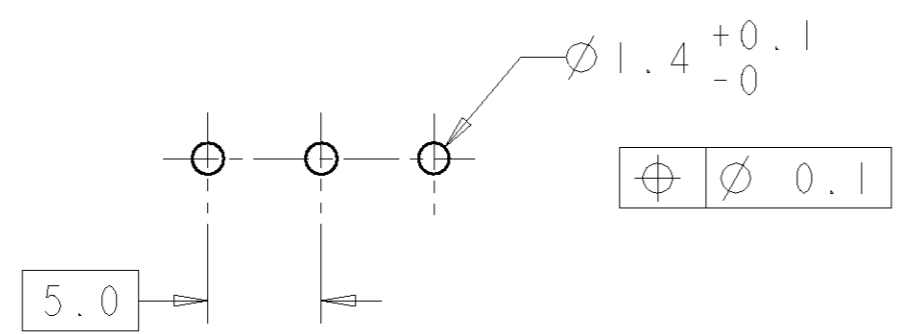
LOC		DIST		REVISIONS			
P	LTR	DESCRIPTION	DATE	DWN	APVD		
FT	0						
	A1	REVISED PER ECO-11-005294	30APR11	RK	HMR		



- ⚠ MATERIALS AND FINISH:  
 HOUSING: PA 6-6, UL 94-V0, COLOR: BLACK.  
 CLAMP: BRASS, NICKEL PLATED.  
 TERMINAL: BRASS, TIN PLATED.  
 CLAMPING SCREW: M3, BRASS, NICKEL PLATED.
- SUITABLE FOR 1,6-2,4mm PCB THICKNESS.
  - END-TO-END STACKABLE W/INTERLOCK, WITHOUT LOSS OF CENTERLINE SPACING.
  - WIRE RANGE: 12-30 AWG.
  - RECOGNIZED UNDER THE COMPONENT PROGRAM OF UNDERWRITERS LABORATORIES INC. FILE N° E60677.
  - IMQ CERTIFICATE WITH SURVEILLANCE IN CONFORMITY WITH IEC 998-1/998-2-1.
- ⚠ NOT CUMULATIVE TOLERANCE.



L	NO OF POSN	PART NUMBER
120.0	24	2-796689-4
115.0	23	2-796689-3
110.0	22	2-796689-2
105.0	21	2-796689-1
100.0	20	2-796689-0
95.0	19	1-796689-9
90.0	18	1-796689-8
85.0	17	1-796689-7
80.0	16	1-796689-6
75.0	15	1-796689-5
70.0	14	1-796689-4
65.0	13	1-796689-3
60.0	12	1-796689-2
55.0	11	1-796689-1
50.0	10	1-796689-0
45.0	9	796689-9
40.0	8	796689-8
35.0	7	796689-7
30.0	6	796689-6
25.0	5	796689-5
20.0	4	796689-4
15.0	3	796689-3
10.0	2	796689-2



RECOMMENDED PC BOARD LAYOUT

DIMENSIONS: mm 		TOLERANCES UNLESS OTHERWISE SPECIFIED: 0 PLC ±.3 1 PLC ±.3 2 PLC ±.25 3 PLC ±. 4 PLC ±. ANGLES ±2 FINISH		DWN 02SEP2003 S. WELDON CHK 02SEP2003 C. RICHARD APVD 02SEP2003 C. RICHARD	<b>STE</b> TE Connectivity NAME TERMINAL BLOCK, PCB MOUNT ANGLED WIRE ENTRY, STACKING W/INTERLOCK, 5.00mm PITCH	
MATERIAL -		PRODUCT SPEC 108-20166 APPLICATION SPEC 114-20079		SIZE A2	CAGE CODE 00779	DRAWING NO 796689
CUSTOMER DRAWING				SCALE 3:1	SHEET 1 OF 1	REV A1