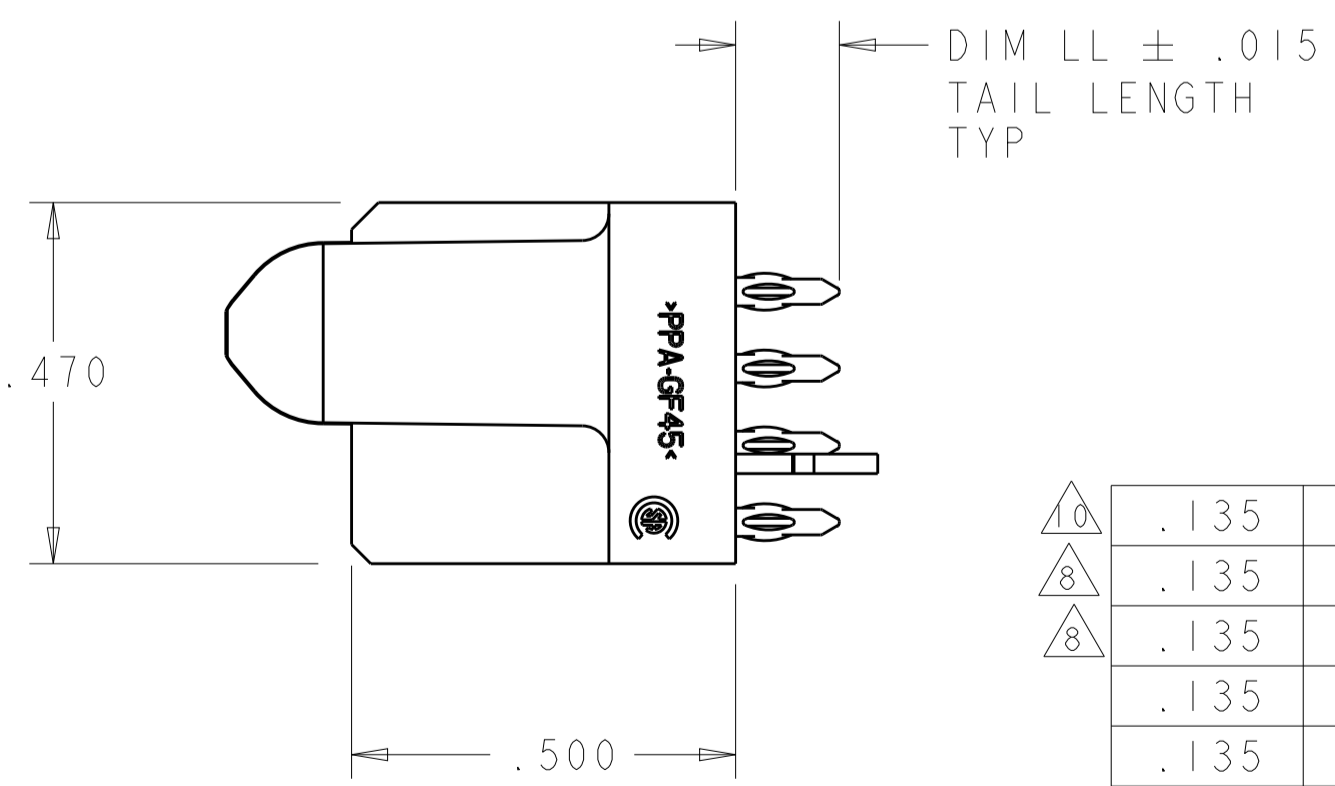
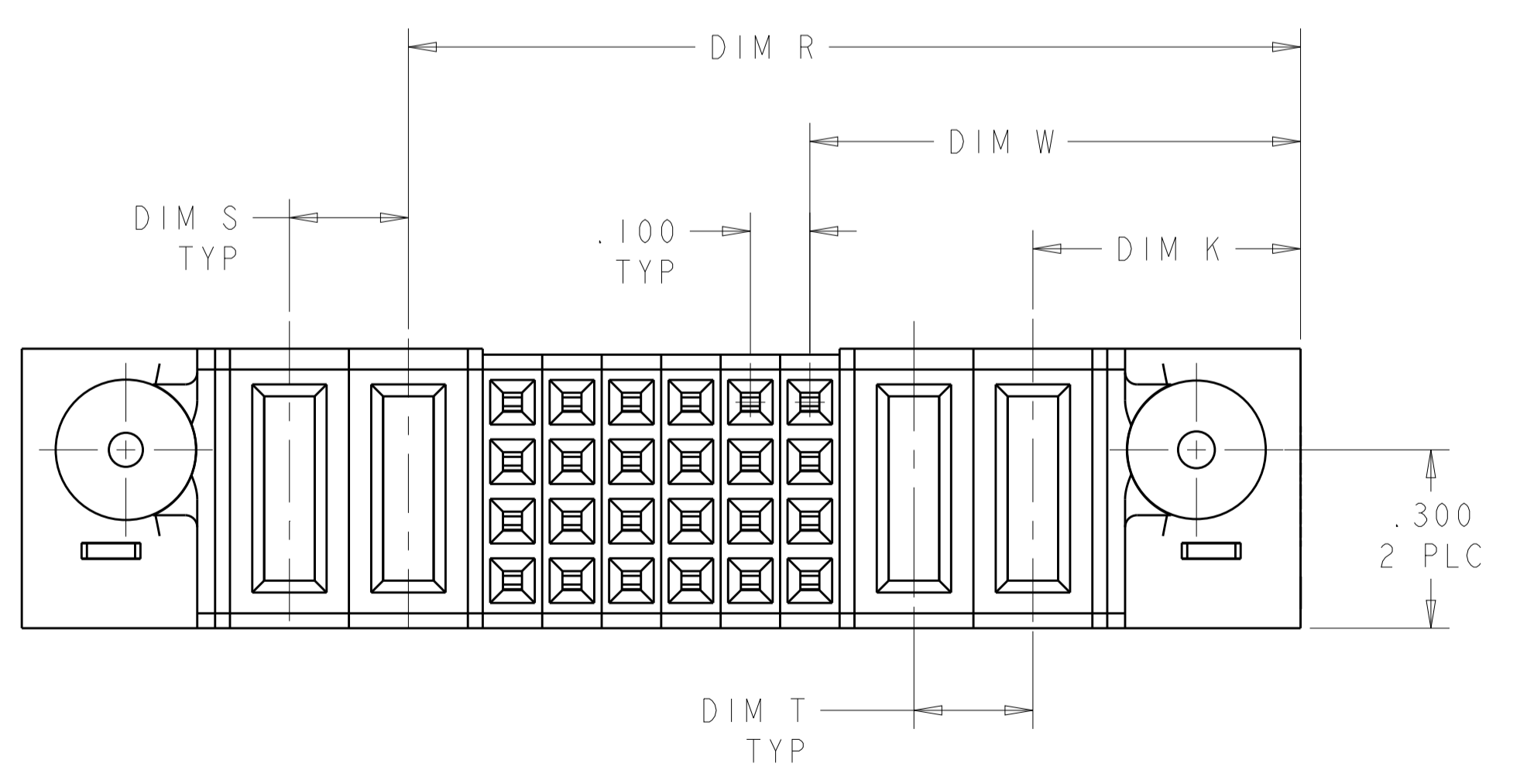
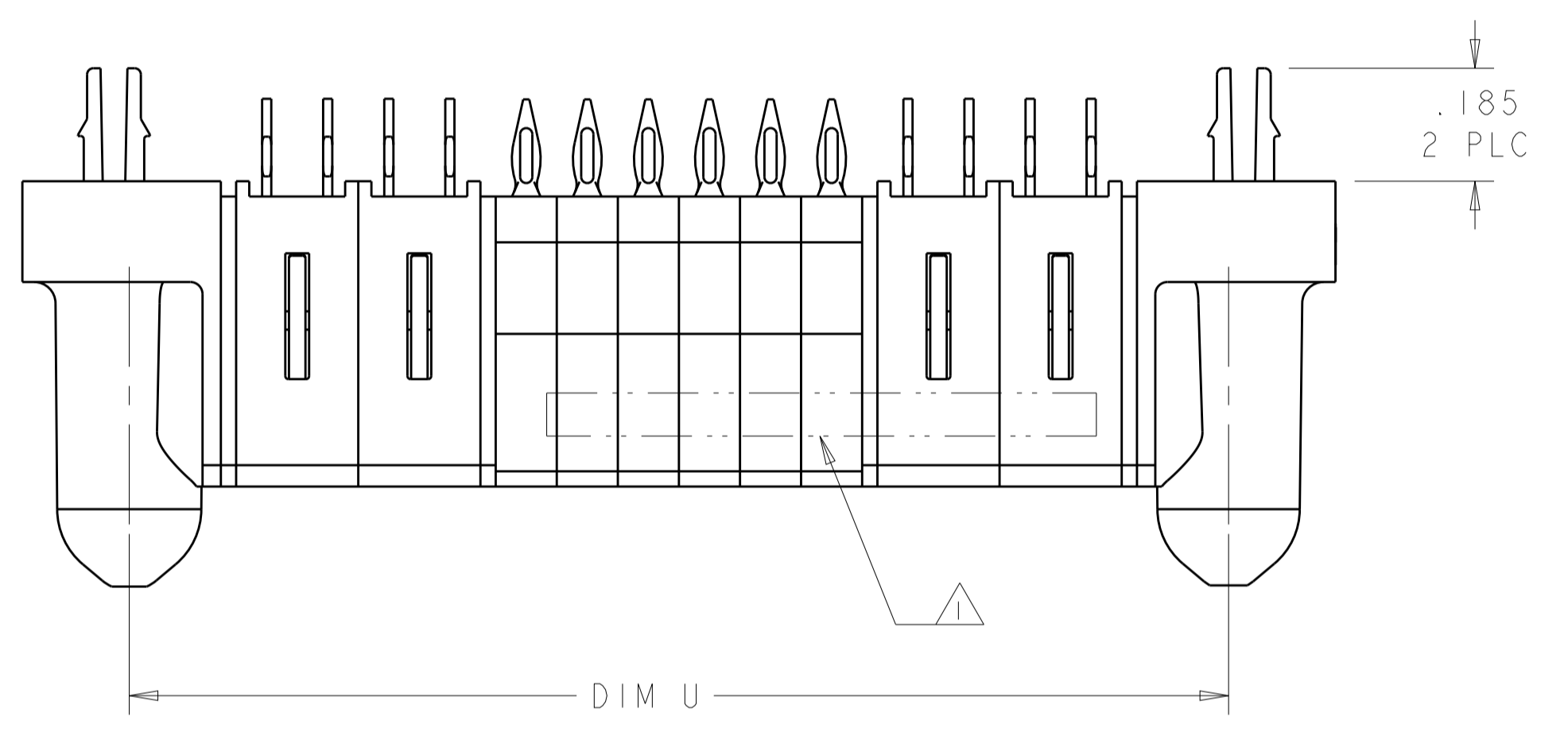
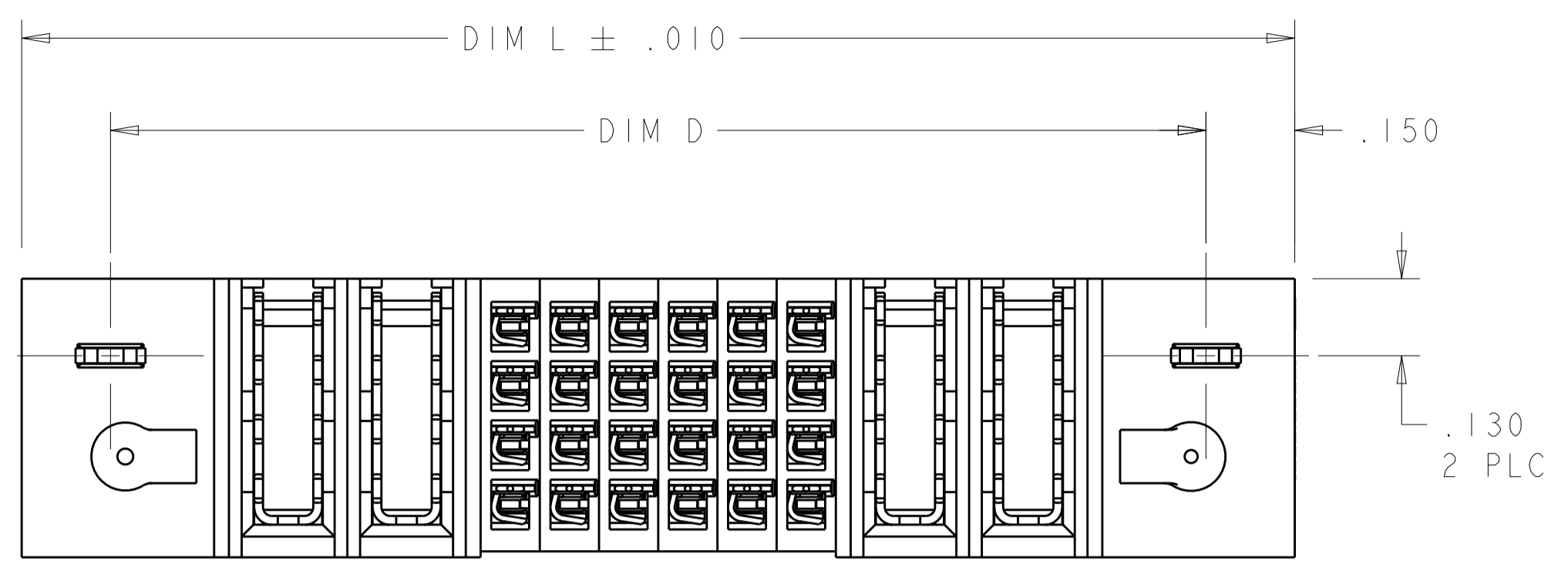


LOC		DIST		REVISIONS			
ES	00	P	LTN	DESCRIPTION	DATE	DMN	APVD
		D4		REV PER ECR-13-004638	20MAR2013	ML	SZ



- △ PART NUMBER, AND DATE CODE MARKED IN AREA SHOWN.
- △ MATERIAL:
 HOUSING - GLASS FILLED HIGH TEMP THERMO PLASTIC, UL94 V-0
 SIGNAL CONTACT - COPPER ALLOY
 POWER CONTACT - HIGH CONDUCTIVITY COPPER ALLOY
- △ CONTACT PLATING: NOBLE METAL PLATING ON CONTACT FUNCTIONAL AREA OF SIGNAL AND POWER CONTACTS.
- △ MECHANICAL CONNECTOR KEEP OUT ZONE.
- △ DATUM AND BASIC DIMENSIONS ESTABLISHED BY CUSTOMER.
- △ PCB - ALL HOLE DIAMETERS ARE FINISHED HOLE SIZES.
- △ PCB - .0453±.0010 DRILLED HOLES PLATED WITH .0003 MIN Sn OVER .001 TO .003 Cu PLATING TO ACHIEVE A .040 HOLE.
- △ NOT RELEASED FOR PRODUCTION.
- △ POWER CONTACT AREA LUBRICATED WITH LUBRICANT.
- △ THE SPECIAL DIMENSION ONLY FOR 1892430-6 (SEE SHEET 2)

△10	.135	.200	4.725	4.175	.200	2.025	7.600	7.650	7.950	64S+11HDP+20S+15HDP	1892430-6
△8	.135	.250	1.550	.875	.250	.450	1.900	1.950	2.250	2P + 24S + 2P	1892430-5
△6	.135	.250	2.550	1.875	.250	.450	3.900	3.950	4.250	6P + 24S + 6P	1892430-4
	.135	.250	1.950	1.275	.300	.475	3.050	-	3.400	3ACP + 24S + 5P	1892430-3
	.135	-	1.425	.700	-	.475	1.575	-	1.925	1P + 24S + 1P	1892430-2
	.135	.200	1.500	.825	.200	.450	1.800	1.850	2.150	2HDP + 24S + 2HDP	1892430-1
	DIM LL	DIM S	DIM R	DIM W	DIM T	DIM K	DIM U	DIM D	DIM L	DESCRIPTION	PART NUMBER

THIS DRAWING IS A CONTROLLED DOCUMENT. DMN C.ZHOU 11OCT2006
 CHK SUNY ZHAO 10OCT2006
 APVD S.YAO

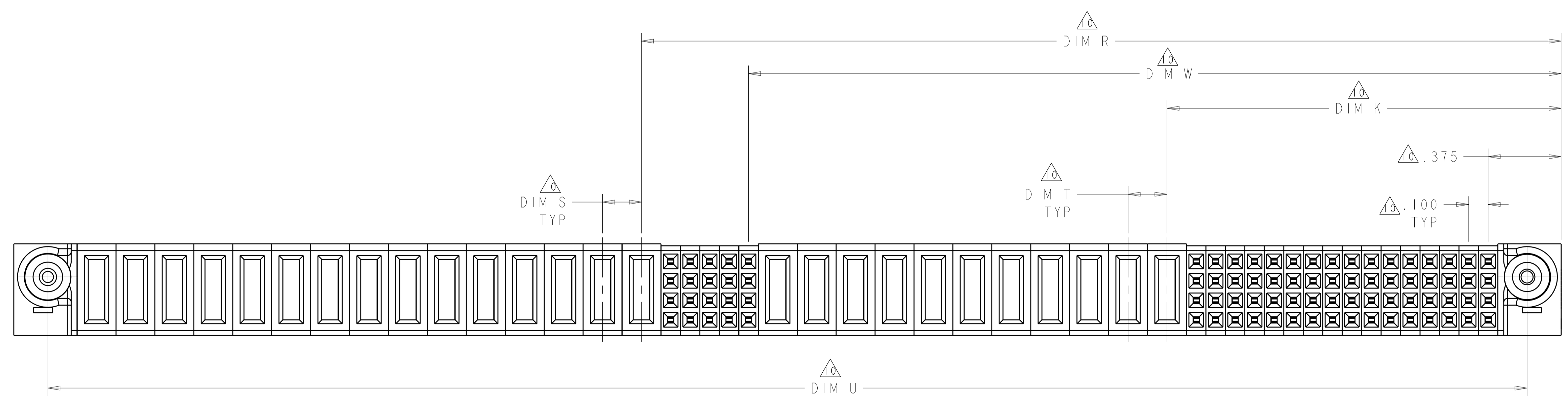
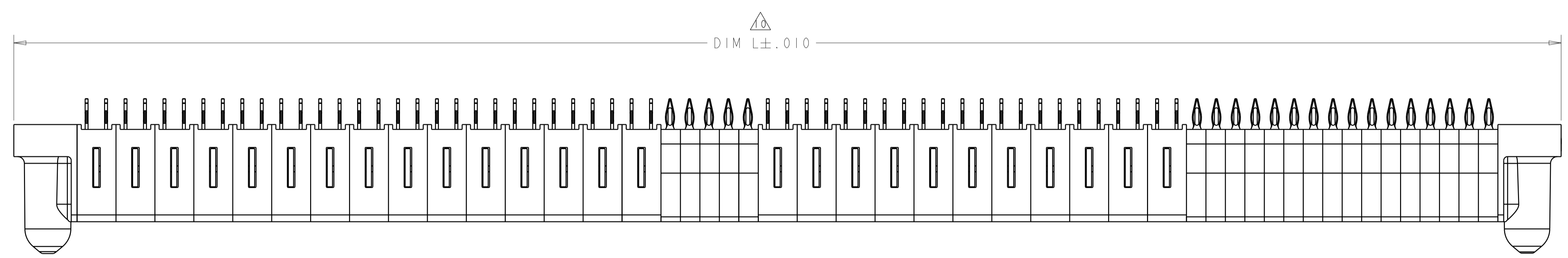
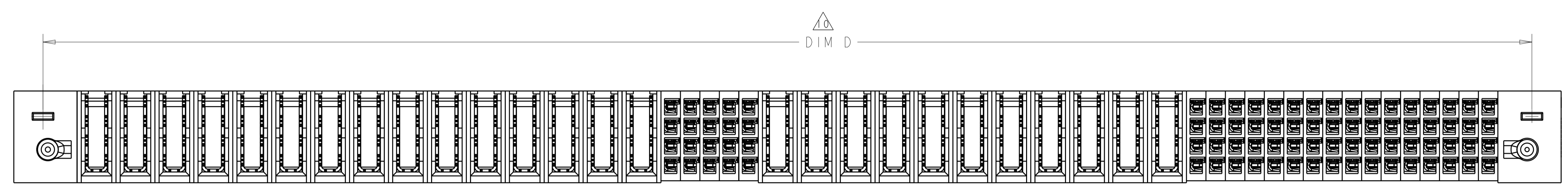
STE TE Connectivity

NAME: VERTICAL RECEPTACLE ASSEMBLY PRESS FIT,W/GUIDES MULTI-BEAM XL
 PRODUCT SPEC: 108-1973
 APPLICATION SPEC: 114-13038
 SIZE: A1
 CAGE CODE: 00779
 DRAWING NO: 1892430
 WEIGHT: -
 RESTRICTED TO: -

MATERIAL: △2 FINISH: △3 △9

Customer Drawing SCALE 4:1 SHEET 1 OF 5 REV D4

LOC	DIST	REVISIONS			
ES	00	REV	DATE	BY	APPV
-	-	SEE SHEET 1	-	-	-



PART NUMBER 1892430-6
 UNSPECIFIED DIMENSION REFER TO SHEET 1

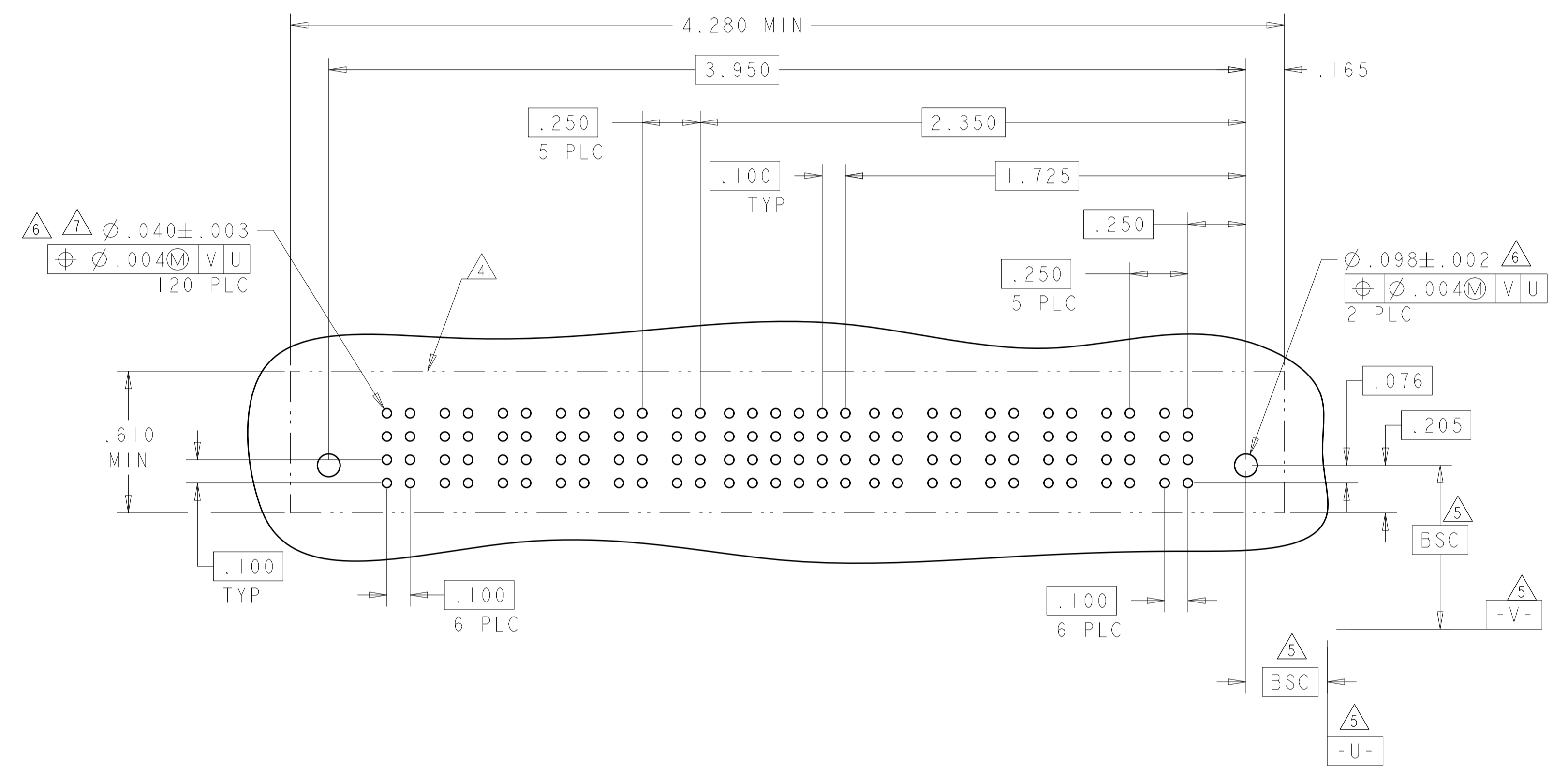
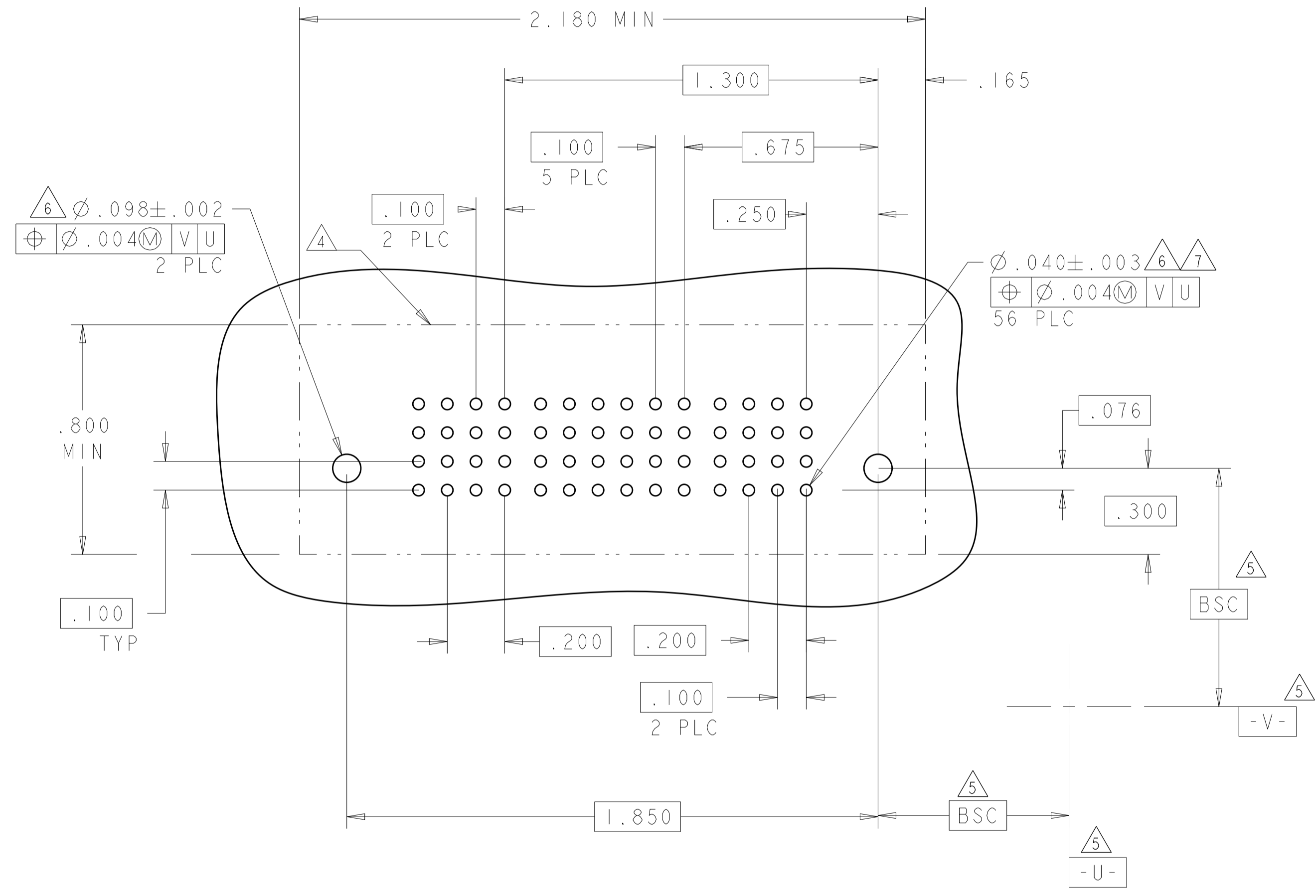
THIS DRAWING IS A CONTROLLED DOCUMENT.		DWN C. ZHOU 11OCT2006 CHK SUNY ZHAO 10OCT2006 APVD S. YAO NAME PRODUCT SPEC 108-1973 APPLICATION SPEC 114-13038 WEIGHT Customer Drawing	STE TE Connectivity VERTICAL RECEPTACLE ASSEMBLY PRESS FIT, W/GUIDES MULTI-BEAM XL SIZE CAGE CODE DRAWING NO A100779C=1892430 SCALE 4:1 SHEET 2 OF 5 REV D4
DIMENSIONS: INCHES 	TOLERANCES UNLESS OTHERWISE SPECIFIED: 0 PLC ±. 2 PLC ±.01 3 PLC ±.005 4 PLC ±.0020 ANGLES 40°±30° FINISH	RESTRICTED TO	

LOC	DIST	REV	DATE	BY	APPD
ES	00				

REVISIONS		DATE	BY	APPD
1	SEE SHEET 1			

PART NUMBER	ROWS	POWER		SIGNAL						POWER		
		P4	P3	6	5	4	3	2	1	P2	P1	
1892430-1	D C B A	GP	GP	AP	AP	AP	AP	AP	AP	AP	GP	GP
				AP	AP	AP	AP	AP	AP			
				AP	AP	AP	AP	AP	AP			
2HDP + 24S + 2HDP		HD									HD	

ASSY PART NUMBER	ROWS	POWER						SIGNAL						POWER					
		P12	P11	P10	P9	P8	P7	6	5	4	3	2	1	P6	P5	P4	P3	P2	P1
1892430-4	D C B A	GS	GS	GS	GS	GS	GS	AP	AP	AP	AP	AP	AP	GS	GS	GS	GS	GS	GS
								AP	AP	AP	AP	AP	AP						
								AP	AP	AP	AP	AP	AP						
6P + 24S + 6P		HD																	



CODE	DESCRIPTION
AP	SIGNAL CONTACT
GP	POWER CONTACT, MFBL
GS	POWER CONTACT, STD
HD	HOLD DOWN

THIS DRAWING IS A CONTROLLED DOCUMENT.

DIMENSIONS: INCHES
 TOLERANCES UNLESS OTHERWISE SPECIFIED:
 0 PLC ± .01
 1 PLC ± .01
 2 PLC ± .01
 3 PLC ± .01
 4 PLC ± .005
 5 PLC ± .002
 ANGLES 40° ± 30'

MATERIAL: -
 FINISH: -

DWG: C. ZHOU 11OCT2006
 CHK: SUNY ZHAO 10OCT2006
 APVD: S. YAO
 NAME: S. YAO
 PRODUCT SPEC: 108-1973
 APPLICATION SPEC: 114-13038
 WEIGHT: -
 Customer Drawing

STE TE Connectivity
 VERTICAL RECEPTACLE ASSEMBLY
 PRESS FIT, W/GUIDES
 MULTI-BEAM XL
 SIZE: A1
 CAGE CODE: 100779
 DRAWING NO: 1892430
 SCALE: 4:1
 SHEET: 3 OF 5
 REV: D4

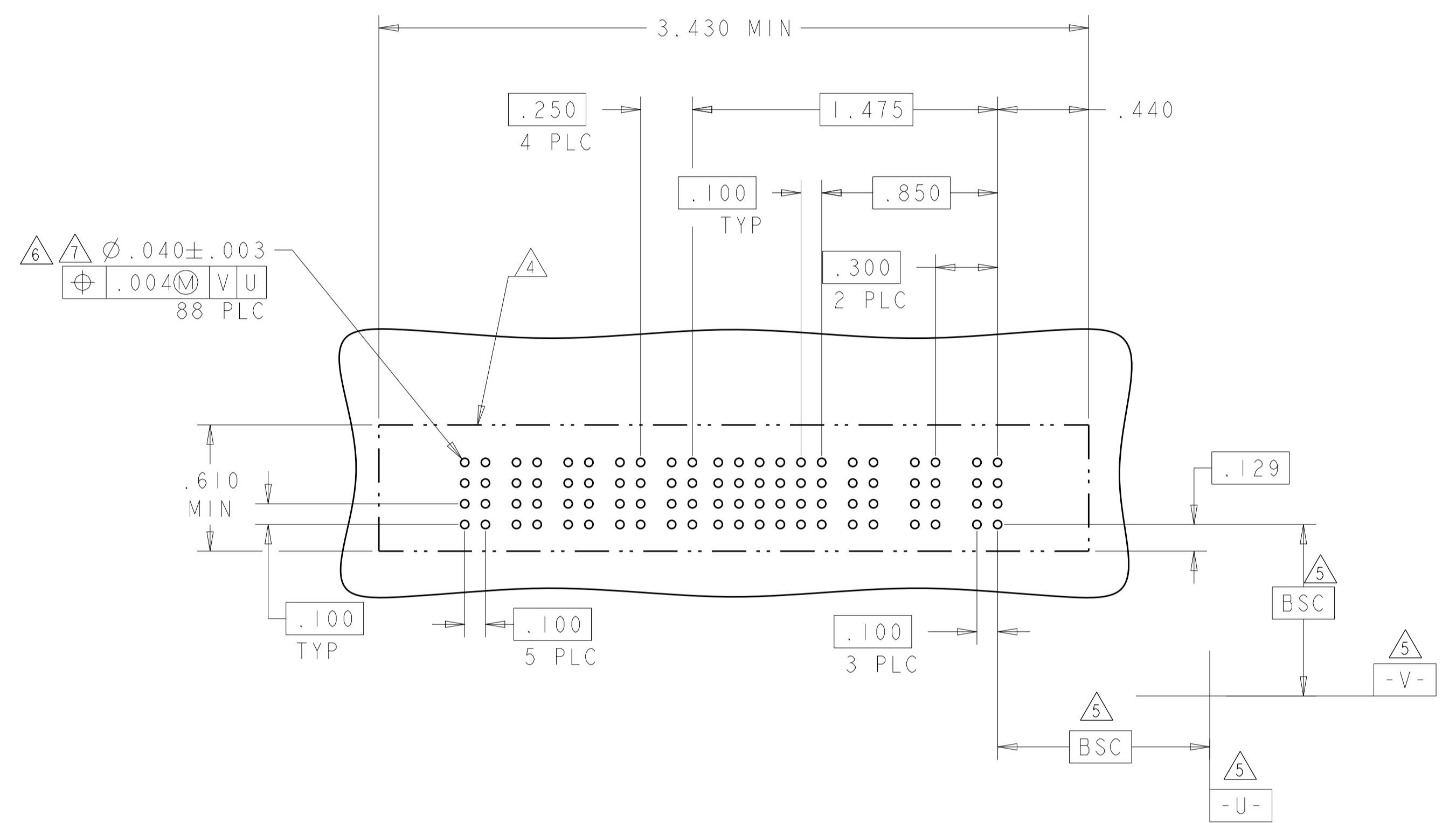
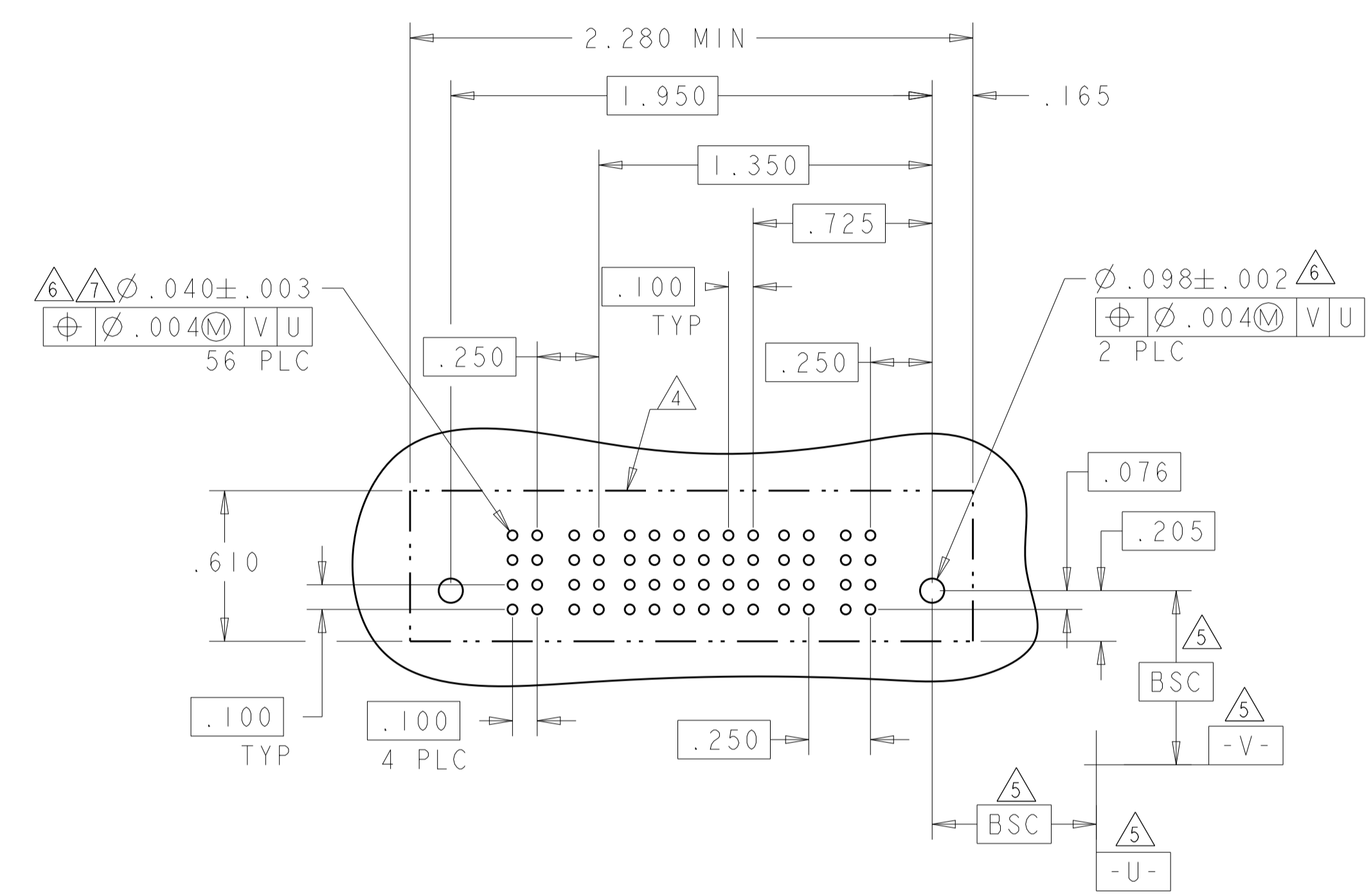
LOC	DIST	REVISIONS			
P	LTN	DESCRIPTION	DATE	DWN	APVD
-	-	SEE SHEET 1	-	-	-

PART NUMBER	ROWS	POWER		SIGNAL					POWER		
		P4	P3	6	5	4	3	2	1	P2	P1
1892430-5	D C B A	GP	GP	AP	AP	AP	AP	AP	AP	GP	GP
		AP	AP	AP	AP	AP	AP	AP	AP	GP	GP
		AP	AP	AP	AP	AP	AP	AP	AP	GP	GP

2P + 24S + 2P

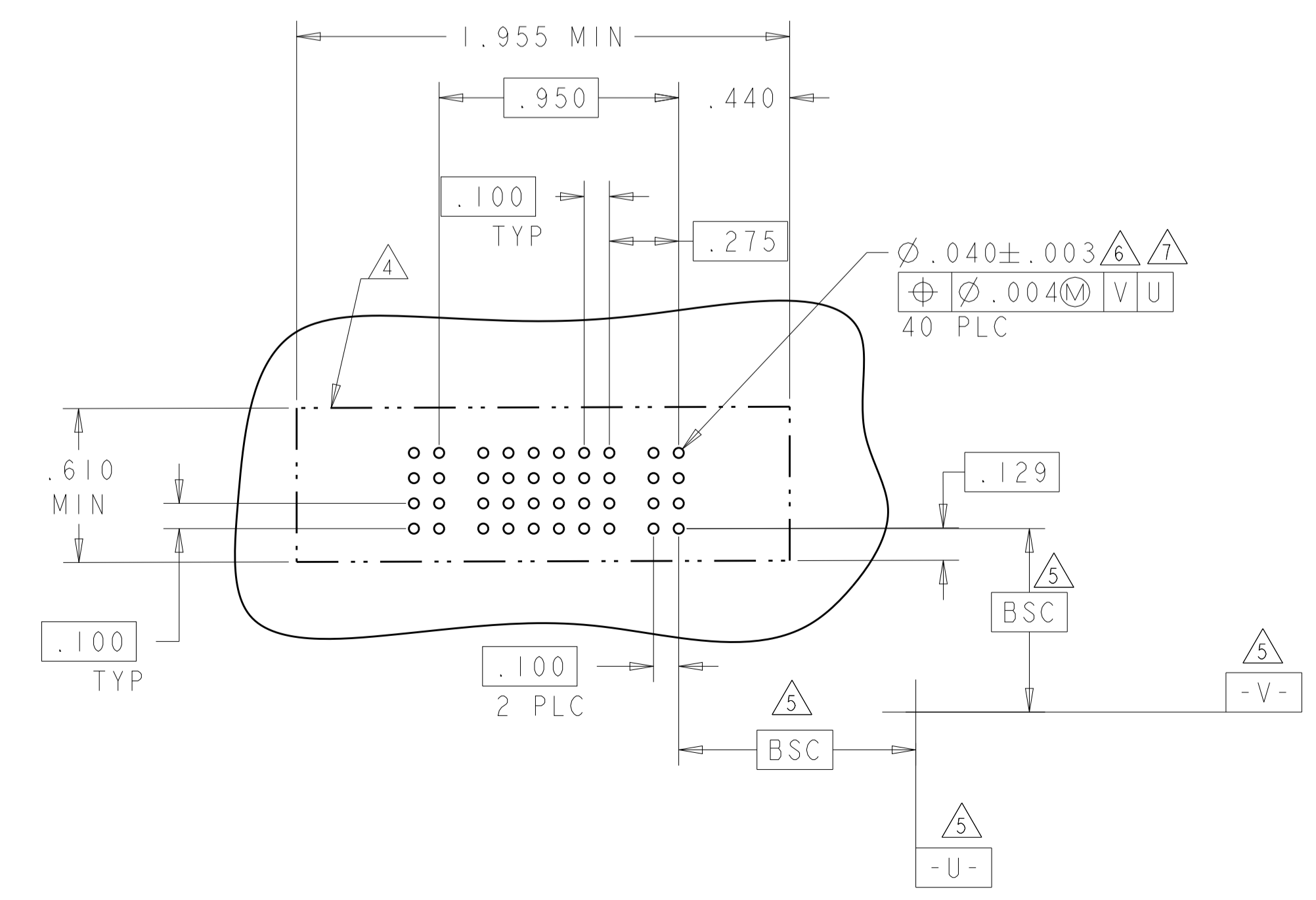
PART NUMBER	ROWS	POWER (L)				SIGNAL					POWER (R)			
		P8	P7	P6	P5	6	5	4	3	2	1	P3	P2	P1
1892430-3	D C B A	GS	GS	GS	GS	AP	AP	AP	AP	AP	AP	GP	GS	GS
		AP	AP	AP	AP	AP	AP	AP	AP	AP	AP	GP	GS	GS
		AP	AP	AP	AP	AP	AP	AP	AP	AP	AP	GP	GS	GS

3ACP + 24S + 5P



PART NUMBER	ROWS	POWER		SIGNAL					POWER	
		P2	6	5	4	3	2	1	P1	
1892430-2	D C B A	GP	AP	AP	AP	AP	AP	AP	GP	
		AP	AP	AP	AP	AP	AP	AP	GP	
		AP	AP	AP	AP	AP	AP	AP	GP	

1P + 24S + 1P

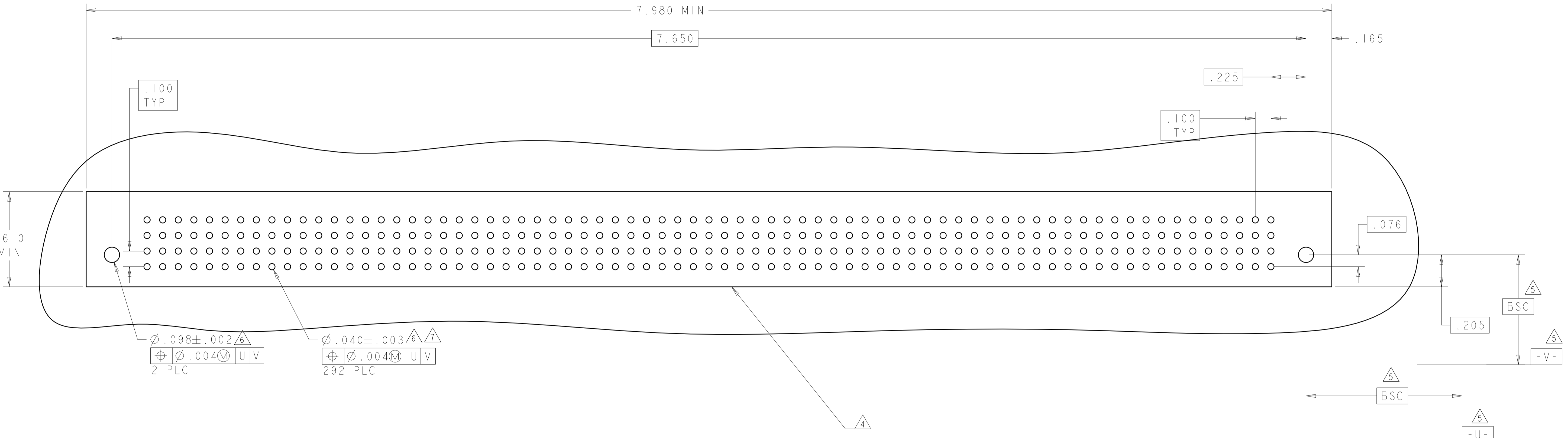


THIS DRAWING IS A CONTROLLED DOCUMENT.		DWN: C. ZHOU 11OCT2006	STE TE Connectivity
DIMENSIONS: INCHES		CHK: SUNY ZHAO 10OCT2006	
TOLERANCES UNLESS OTHERWISE SPECIFIED:		APVD: S. YAO	NAME: VERTICAL RECEPTACLE ASSEMBLY PRESS FIT, W/GUIDES MULTI-BEAM XL
0 PLC ±.01		PRODUCT SPEC: 108-1973	SIZE: A1
1 PLC ±.01		APPLICATION SPEC: 114-13038	CAGE CODE: 1892430
2 PLC ±.01		WEIGHT: -	RESTRICTED TO: -
3 PLC ±.005		SCALE: 4:1	SHEET 4 OF 5
4 PLC ±.002		REVISION: D4	
ANGLES: ±.0020			
FINISH: 40°/30°			

LOC		DIST		REVISIONS				
P	LTN	DATE	DNM	APVD	DESCRIPTION	DATE	DNM	APVD
-	-	-	-	-	SEE SHEET 1	-	-	-

PART NUMBER	ROWS	POWER										SIGNAL					POWER										SIGNAL																																					
		P26	P25	P24	P23	P22	P21	P20	P19	P18	P17	P16	P15	P14	P13	P12	S21	S20	S19	S18	S17	P11	P10	P09	P08	P07	P06	P05	P04	P03	P02	P01	S16	S15	S14	S13		S12	S11	S10	S09	S08	S07	S06	S05	S04	S03	S02	S01															
1892430-6	D C B A	GP	GS	GP	GS	GP	GS	GP	GS	GP	GS	GP	GS	GP	GS	GP	AP	AP	AP	AP	AP	GP	GS	GP	GS	GP	GS	GP	GS	GP	GS	GP	AP	AP	AP	AP	AP	AP	AP	AP	AP	AP	AP	AP	AP	AP	AP	AP	AP	AP	AP	AP	AP	AP	AP	AP	AP	AP	AP	AP	AP	AP	AP	AP
		GP	GS	GP	GS	GP	GS	GP	GS	GP	GS	GP	GS	GP	GS	GP	AP	AP	AP	AP	AP	GP	GS	GP	GS	GP	GS	GP	GS	GP	GS	GP	AP	AP	AP	AP	AP	AP	AP	AP	AP	AP	AP	AP	AP	AP	AP	AP	AP	AP	AP	AP	AP	AP	AP	AP	AP	AP	AP	AP	AP	AP	AP	
		GP	GS	GP	GS	GP	GS	GP	GS	GP	GS	GP	GS	GP	GS	GP	AP	AP	AP	AP	AP	GP	GS	GP	GS	GP	GS	GP	GS	GP	GS	GP	AP	AP	AP	AP	AP	AP	AP	AP	AP	AP	AP	AP	AP	AP	AP	AP	AP	AP	AP	AP	AP	AP	AP	AP	AP	AP	AP	AP	AP	AP	AP	
		GP	GS	GP	GS	GP	GS	GP	GS	GP	GS	GP	GS	GP	GS	GP	AP	AP	AP	AP	AP	GP	GS	GP	GS	GP	GS	GP	GS	GP	GS	GP	AP	AP	AP	AP	AP	AP	AP	AP	AP	AP	AP	AP	AP	AP	AP	AP	AP	AP	AP	AP	AP	AP	AP	AP	AP	AP	AP	AP	AP	AP	AP	

64S + 11HDP + 20S + 15HDP



DIMENSIONS:		TOLERANCES UNLESS OTHERWISE SPECIFIED:		MATERIAL:		FINISH:		ANGLES:	
INCHES	0 PLC ±.01	1 PLC ±.01	2 PLC ±.01	3 PLC ±.005	4 PLC ±.002	FINISH	40°/30°	WEIGHT	114-13038

THIS DRAWING IS A CONTROLLED DOCUMENT.		DWG C.ZHOU 11OCT2006		CHK SUNY ZHAO 10OCT2006		APVD S.YAO		NAME	
PRODUCT SPEC				108-1973				APPLICATION SPEC	
MATERIAL		Customer Drawing		SCALE 4:1		SHEET 5 OF 5		REV D4	



VERTICAL RECEPTACLE ASSEMBLY
 PRESS FIT, W/GUIDES
 MULTI-BEAM XL

SIZE A1 CAGE CODE DRAWING NO. 00779 C=1892430