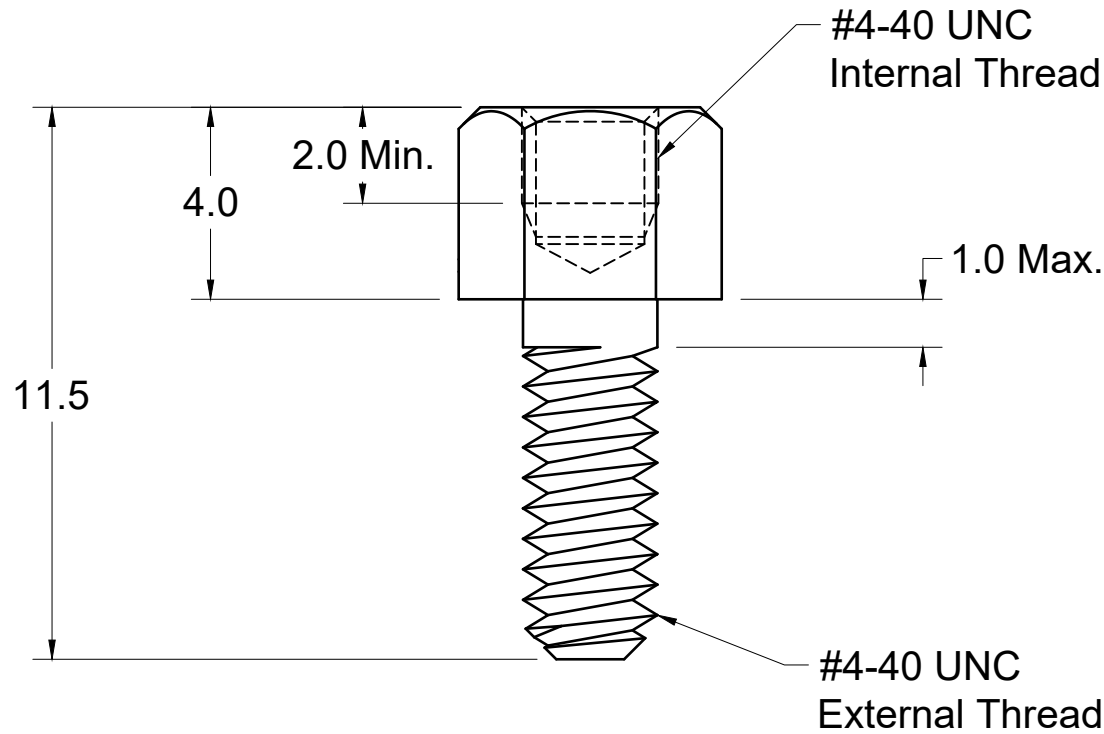


Material: Brass  
Finish: Nickel



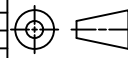
**RoHS COMPLIANT**

Tolerances
X.X ± 0.10
X.XX ± 0.05
Unless Stated
Otherwise

REV.	DATE	DESCRIPTION	REV. BY	CHK. BY	DRAWN BY	DATE
A1	06/19/07	New Drawing	A. Frederick	H. MA	A. Frederick	06/11/07
A2	06/11/18	ECO #18-028	G. Serrato	D. Shehan		
B0	08/16/21	ECO #21-014	C. Kelleher	C. Furumasu		

**JSX-1000-4.0**

Hex. Jack Screw, RoHS Compliant  
#4-40 UNC, 4mm Hex Length



UNITS  
mm

