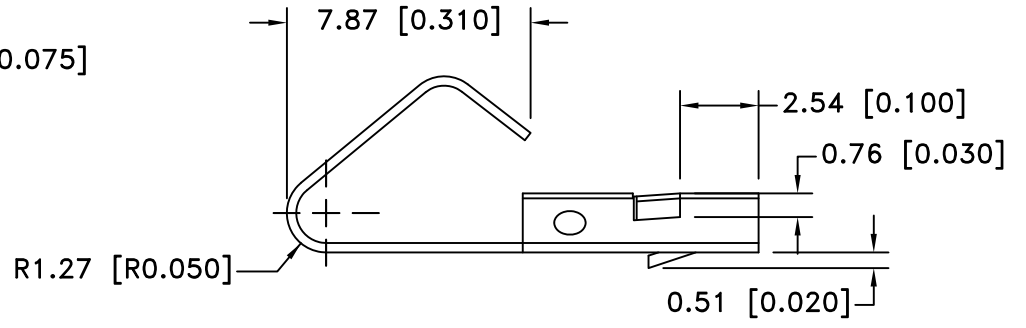
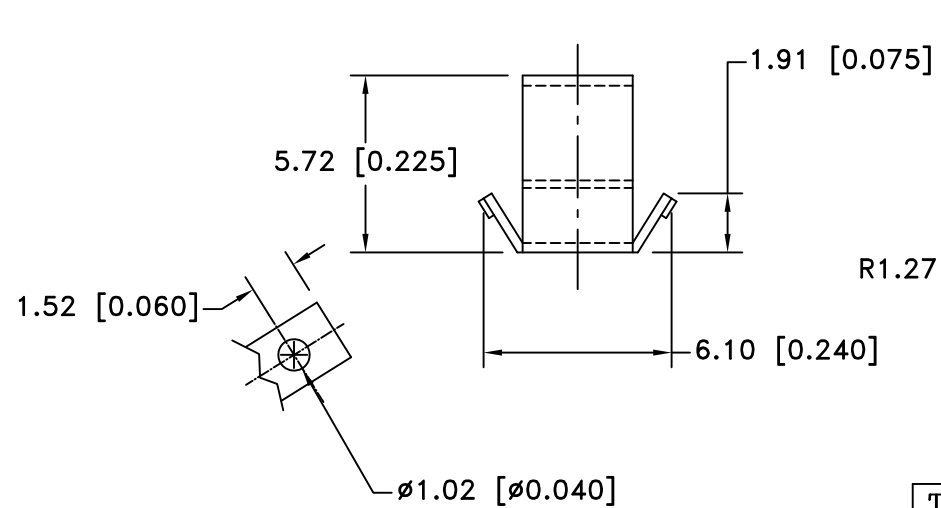
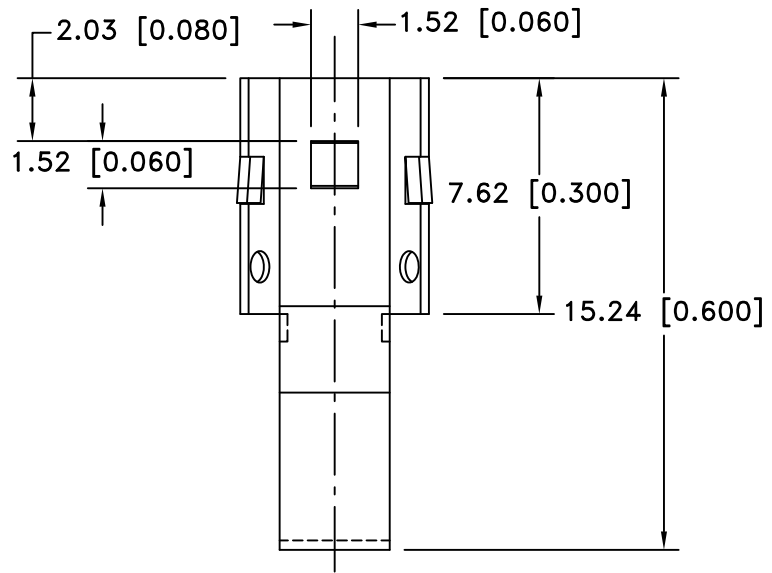



Date	SYM	REVISION RECORD	AUTH	DR.	CK.
05/01/01	A	ADDED LOCKING TAB	T.B.	B.S.	
01/31/04	B	REDRAWN WITH NEW DIMENSION	T.B.	B.S.	
9/10/06	C	ADDED "ROHS COMPLIANT"	T.B.	B.S.	
11/21/14	D	UPDATED TO ROHS 2 COMPLIANT	T.B.	B.S.	



NOTES:

1. MATERIAL: 0.38mm (0.015") THICK., PHOSPHOR BRONZE, ASTM B159 SPRING HARD TEMPER.
2. DEBURR ALL CORNERS AND EDGES R0.13mm (0.005") MIN.
3. BRIGHT NICKEL PLATE QQ-N-290 CLASS 1, GRADE G, TYPE 1, 4-6% PLATING PHOSPHOR CONTENT.
4. SOLDER WIRE LEADS INTO $\phi 1.02$ mm ($\phi 0.040$ ") HOLES AS NEEDED.
5. ROHS 2 COMPLIANT

Tolerance (Except as noted)	 Memory Protection Devices, Inc 200 Broad Hollow Road, Farmingdale, New York 11735		
decimal $\pm .5$ (.020)	Scale	Drawn By B.S.	
Fractional $\pm .8$ (.030)	Title MPD DL223A BATTERY HOLDER CONTACT		
Angular $\pm 3^\circ$	Date 11/21/14	Drawing Number ABG-165	
		Approved By T.B.	