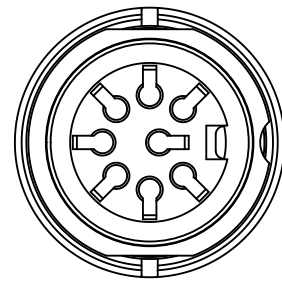
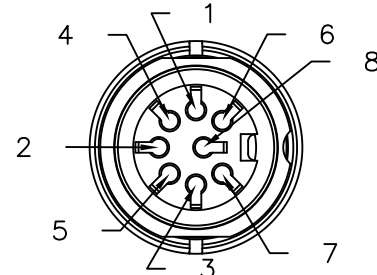


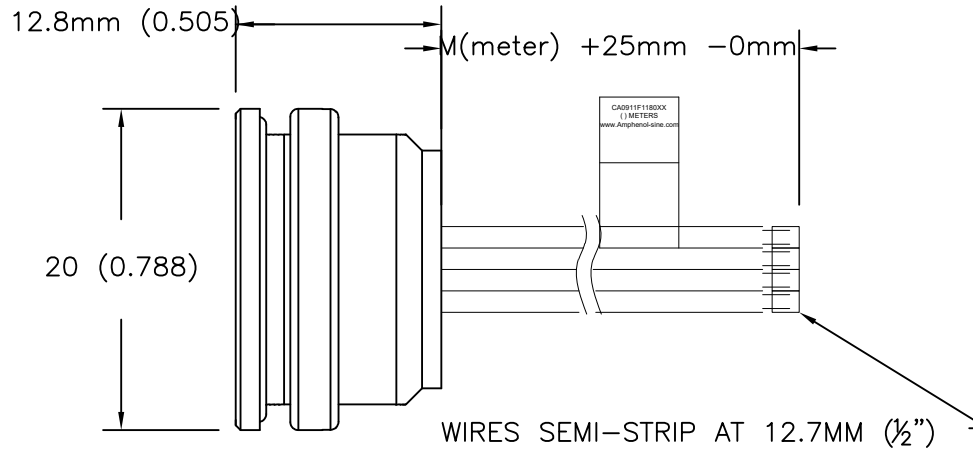
PART NUMBER	LENGTH (METERS)
CA0911F118003	0.3M (0.98 FEET)
CA0911F118005	0.5M (1.64 FEET)
CA0911F118010	1M (3.28 FEET)



FEMALE RECEPTACLE



FACE VIEW



WIRING DIAGRAM

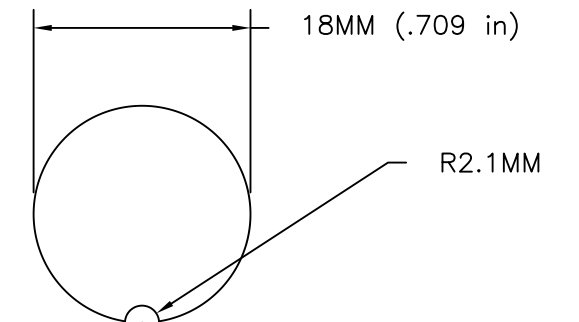
①	BLACK (22AWG)
②	RED (22AWG)
③	WHITE (22AWG)
④	GREEN (22AWG)
⑤	BROWN (22AWG)
⑥	BLUE (22AWG)
⑦	ORANGE (22AWG)
⑧	YELLOW (22AWG)

REVISIONS						
REV	ZONE	ECO	DESCRIPTION	DATE	BY	APPR
A1	-	-	TECHNICAL DATA SHEET RELEASE	20-JULY-17	RO	-

CAN BE USED WITH MATING MALE CABLE # CA0911A800801012

CONTACT YOUR DISTRIBUTOR FOR OTHER MATING OPTIONS

INSTALLATION NOTES & PANEL CUTOUT



FOR SEALING REASONS THE SURFACE FOR THE GASKET NEEDS TO BE LEVEL AND FREE OF BURRS.

PANEL THICKNESS: MAX 3.5MM

TIGHTENING TORQUE 0.7NM

RECOMMENDED TOOL: N450910001

- 1) MATERIALS:
 COUPLING NUT: ZINC DIE CAST
 INSULATION INSERT: THERMOPLASTIC
 CONTACT: SILVER PLATED
 WIRE RATING: 22 AWG, UL STYLE 1569 300V 105°C (AWM), CSA TYPE TR-64 300V 90°C, UL VW-1 FLAME TEST
 CABLE JACKET MATERIAL: PVC
 NUMBER OF CONDUCTORS: (8) 22AWG

- 2) CONNECTOR ELECTRICAL DATA:
 CURRENT (MAX): 7A AT 40°C
 VOLTAGE (MAX): 300V AC/DC
 INSULATION RESISTANCE: 100M OHMS PER IEC 60512-3-1
 RATED IMPULSE WITHSTAND VOLTAGE: 1200V

- 3) CONNECTOR MECHANICAL DATA:
 TEMPERATURE RANGE: -25°C TO +100°C
 PROTECTION: IP67/IP68 (PER MATED CONDITION)
 MATING CYCLES: >500

- 4) RoHS COMPLIANT

INDUSTRIAL@AMPHENOL
TRUSTED GLOBALLY

QUANTITY	PART NUMBER	DESCRIPTION	ITEM								
MATERIALS LIST											
UNLESS OTHERWISE SPECIFIED 1) All dimensions are in metric (mm). 2) Tolerances are as follows: 1 PL DEC ±0.30 2 PL DEC ±0.15 3 PL DEC ±0.08 3) Note reference = \triangle X		SIGNATURES DRAWN: RO CHECKED: AA ENGINEER: RO APPROVAL: WS	DATE 6-JUNE-17 8-JUNE-17 13-JUNE-17								
MATERIAL SPECIFICATIONS:		<div style="text-align: center;"> <h1>Amphenol</h1> <p>Sine Systems - www.amphenol-sine.com 44724 Morley Drive Clinton Township, MI 48036</p> </div>									
PROCESS SPECIFICATIONS: IPC-WHMA-A-620											
NEXT ASSY:		<div style="text-align: center;"> <p>C091 (M16) POS FEMALE RECEPTACLE 22AWG, 8C LEADS, UL1569 300V</p> <table border="1"> <tr> <td>SIZE</td> <td>TYPE</td> <td>DWG NO:</td> <td>REVISION</td> </tr> <tr> <td>C-</td> <td></td> <td>CA0911F1180XX</td> <td>A1</td> </tr> </table> </div>		SIZE	TYPE	DWG NO:	REVISION	C-		CA0911F1180XX	A1
SIZE	TYPE	DWG NO:	REVISION								
C-		CA0911F1180XX	A1								
		SCALE: HALF	SHEET 1 OF 1								