

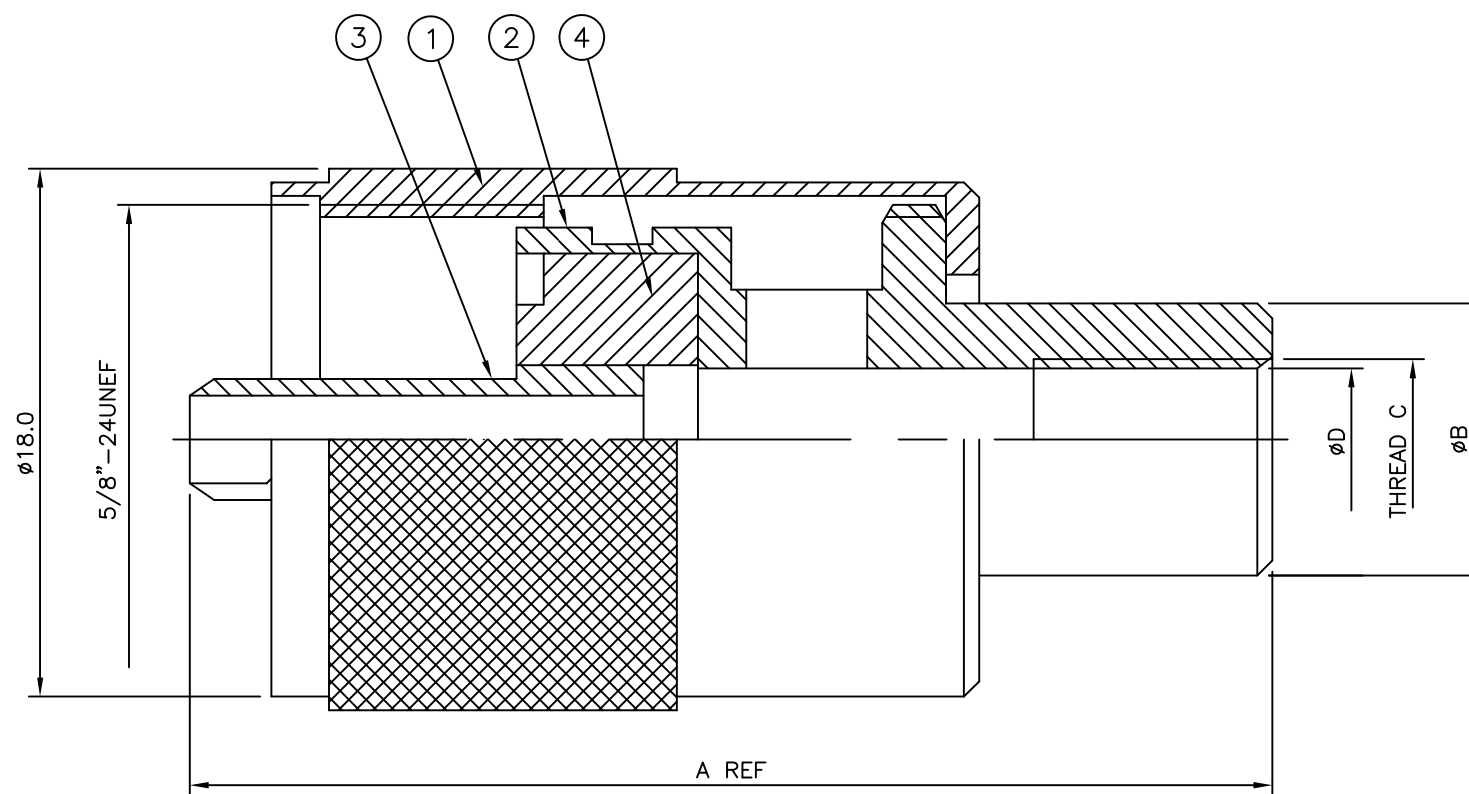
THIS DRAWING IS UNPUBLISHED. RELEASED FOR PUBLICATION JAN ,2007.

© COPYRIGHT 2007 BY TYCO ELECTRONICS CORPORATION. ALL RIGHTS RESERVED.

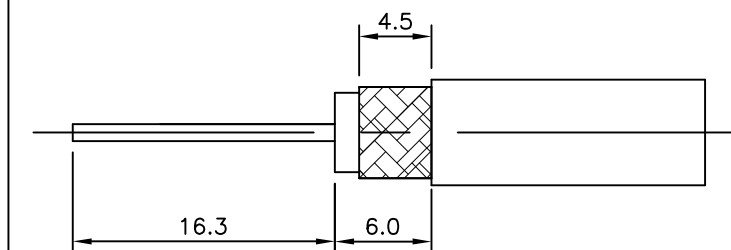
LOC	DIST	REVISIONS			
P	LTR	DESCRIPTION	DATE	DWN	APVD
E	B	B	REVISED PER ECO-09-003420	18JAN09	ANS BOB
-	7/16"-14	12.5	7.52	RG8A/U, 9B/U, 213/U, 214/U, URM67, 91, KX 4, KX13, KX24	5-1814813-5
-	7/16"-14	12.5	36.8	RG8A/U, 9B/U, 213/U, 214/U, URM67, 91, KX 4, KX13, KX24	5-1814813-4
5.6	1/4"-28	9.9	34.0	RG59B/U, 62A/U, 140/U, 210/U, URM90, KX 6A, KX 25, KX 52, KX 53	5-1814813-3
5.6	1/4"-28	9.9	34.0	RG59B/U, 62A/U, 140/U, 210/U, URM90, KX 6A, KX 25, KX 52, KX 53	5-1814813-2
4.7	M5*0.9	9.0	36.1	RG58C/U, 141A/U, URM43, 76, BELDEN 9907, KX 15	5-1814813-1
4.7	M5*0.9	9.0	36.1	RG58C/U, 141A/U, URM43, 76, BELDEN 9907, KX 15	5-1814813-0
D	THREAD C	B	A	CABLE GROUPS	PART NO.
DIMENSIONS					

NOTES

- 1 SINGLE PACK IN ACCORDANCE WITH AMP SPEC 107-3275
- 2 100 TRAY PACK IN ACCORDANCE WITH AMP SPEC 107-3275
- 3 NICKEL PLATING
- 4 GOLD PLATING
- 5. FOR TECHNICAL DATA REFER TO YOUR LOCAL TYCO ELECTRONICS SALES OFFICE
- 6. ALL DIMENSIONS ARE NOMINAL FOR REFERENCE ONLY UNLESS OTHERWISE STATED



RECOMMENDED CABLE STRIPPING DIM'S



QTY	1	1	1	1	1	1	MATERIAL	DESCRIPTION	ITEM
1	1	1	1	1	1	1	POM	INSULATOR	4
1	1	1	1	1	1	1	BRASS	CONTACT	3
1	1	1	1	1	1	1	BRASS	SHELL	2
1	1	1	1	1	1	1	ZINC ALLOY	BODY	1
5	5	5	5	5	5	5	MATERIAL	DESCRIPTION	ITEM
PARTS LIST									

THIS DRAWING IS A CONTROLLED DOCUMENT.		DWN ANSON MA 14FEB09	Tyco Electronics Corporation Kunshan, Jiangsu, PRC 215312		
DIMENSIONS: mm		CHK RITA ZUO 14FEB09	NAME UHF STR PLG T-ON NICKEL PLTD		
TOLERANCES UNLESS OTHERWISE SPECIFIED:		APVD BOB ZHAO 14FEB09	PRODUCT SPEC 108-112000		
0 PLC ± -		APPLICATION SPEC -			
1 PLC ± 0.3		SIZE A3			
2 PLC ± -		CAGE CODE 00779			
3 PLC ± -		DRAWING NO C-1814813			
4 PLC ± -		RESTRICTED TO -			
ANGLES ± -		SCALE NTS			
FINISH -		SHEET 1 OF 1			
MATERIAL SEE TABLE		REV B			
		CUSTOMER DRAWING			