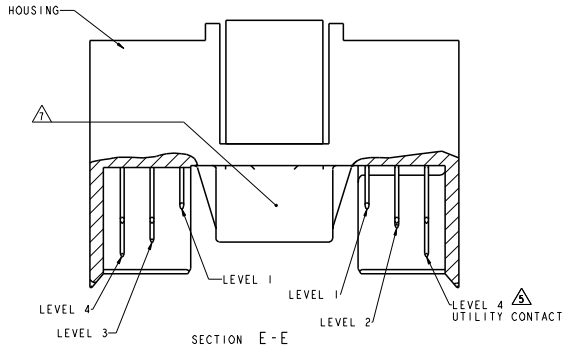
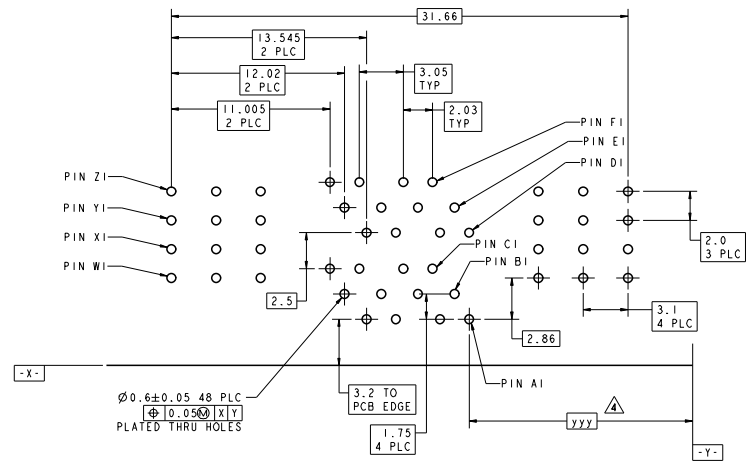
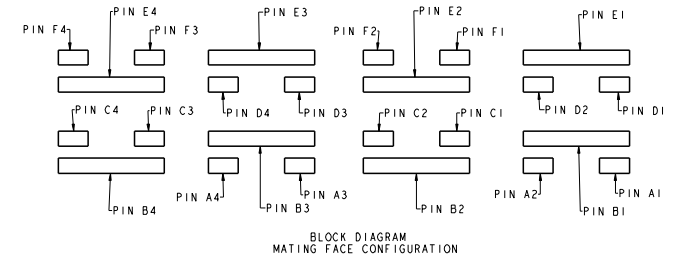
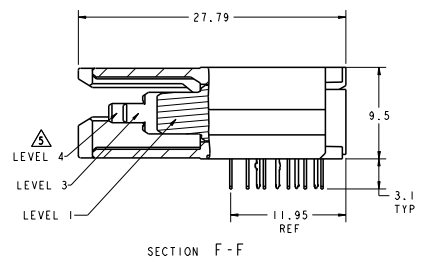
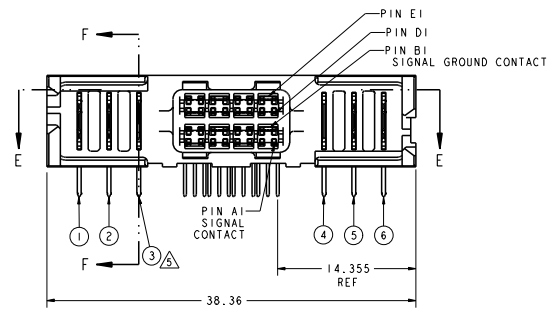


REVISONS		DATE	BY	APP'D
P	1			
B	2	12NOV2010	CJV	EJB
DESCRIPTION: REDRAWN PER ECO-10-012356				



- △ HOUSINGS: POLYESTER, UL 94V-0 RATED, NATURAL SIGNAL AND SIGNAL GROUND CONTACTS: COPPER ALLOY UTILITY CONTACTS: PHOSPHOR BRONZE
- △ UTILITY CONTACTS: 0.76um MIN GOLD IN CONTACT AREA, 2.54um MIN TIN ON PCB TAILS, OVER 1.27um MIN NICKEL OVER ALL. SIGNAL AND SIGNAL GROUND CONTACTS: 0.76um MIN GOLD IN CONTACT AREA, 2.54um MIN TIN ON PCB TAILS, OVER 1.27um MIN NICKEL OVER ALL.
- 3. ROWS A, C, D, AND F ARE SIGNAL CONTACTS. ROWS B AND E ARE SIGNAL GROUND CONTACTS.
- △ DIMENSIONS PER CUSTOMER BOARD LAYOUT.
- △ SEE UTILITY CONTACT SEQUENCE TABLE FOR LOCATION AND LEVEL/LENGTH OF UTILITY CONTACTS FOR EACH PRODUCT PART NUMBER. UTILITY LEVEL 1 CAN BE USED FOR SENSING. UTILITY LEVELS 2, 3, AND 4 CAN BE USED FOR POWER, GROUND, OR ESD. SEQUENCING SHOWN IN SECTION E-E SHOWS THREE LEVELS FOR COMPARISON. UTILITY LEVEL 2 EQUALS THE SIGNAL GROUND CONTACT LEVEL. SIGNAL LEVEL IS BETWEEN UTILITY LEVELS 1 AND 2.
- 6. BLOCK DIAGRAM AND CONTACT IDENTIFICATION APPLY TO COPLANAR NON-INVERTED APPLICATION ONLY. CONTACT IDENTIFICATION REVERSES FOR INVERTED APPLICATIONS, I.E COPLANAR OR MID-BOARD INVERTED.
- △ COMPANY LOGO IN APPROXIMATE AREA SHOWN.



RECOMMENDED PC BOARD FOOTPRINT  
COMPONENT SIDE SHOWN  
SCALE 6:1

UTILITY CONTACT SEQUENCE TABLE							PART NUMBER
UTILITY CONTACT LEVEL 1, 2, 3, OR 4							
1	2	4	4	2	2	6367551-2	
4	3	2	2	3	4	6367551-1	
①	②	③	④	⑤	⑥		

UTILITY CONTACT LOCATION

TOLERANCES UNLESS OTHERWISE SPECIFIED:		DATE: 12NOV2010	Tico Electronics Harrisburg, PA 17105-3608
DIMENSIONS: mm		DATE: 12NOV2010	
0 PLC	±0.3	DATE: 12NOV2010	Z-DOK+ ADAPTER BOARD CONNECTOR ASSEMBLY, 8 SIGNAL DIFF. PAIR, 3 UTILITY CONTACTS PER SIDE
1 PLC	±0.25	PRODUCT SPEC	
2 PLC	±0.25	APPLICATION SPEC	
3 PLC	±0.25	APPLICATION SPEC	
MATERIAL	△	REVISION: 114-13368	RESTRICTED TO
FINISH	△	PART: A	00779
CUSTOMER DRAWING		SCALE: 4:1	SHEET 1 OF 1