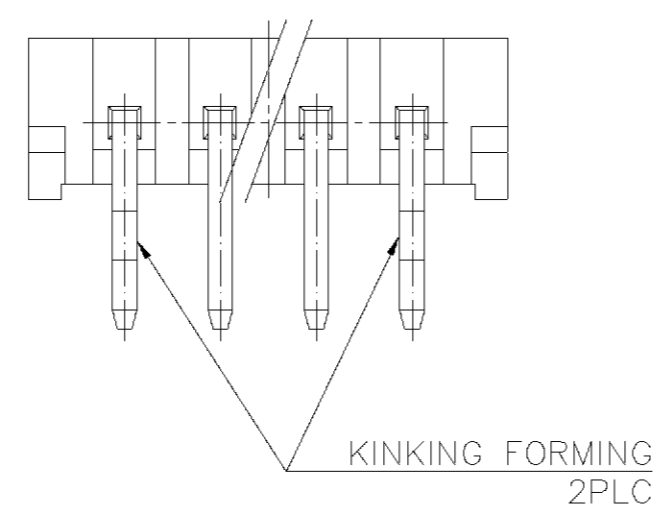
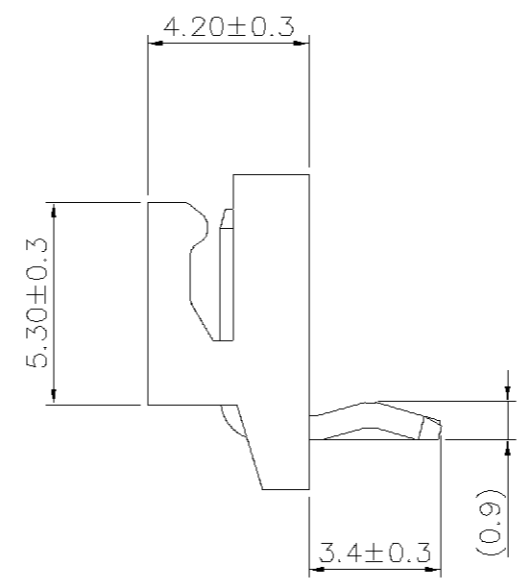
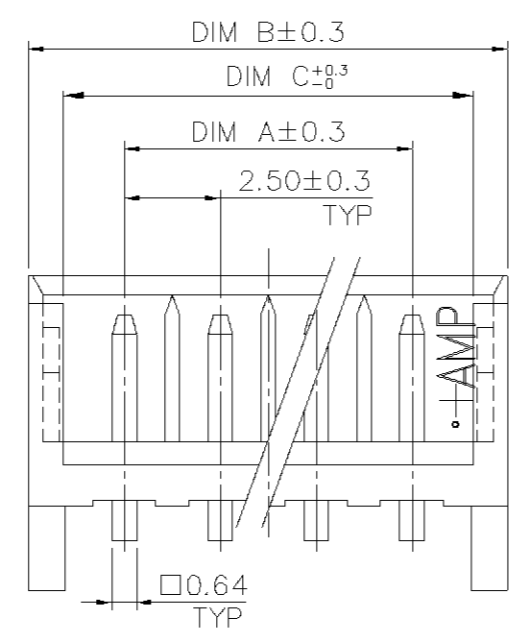
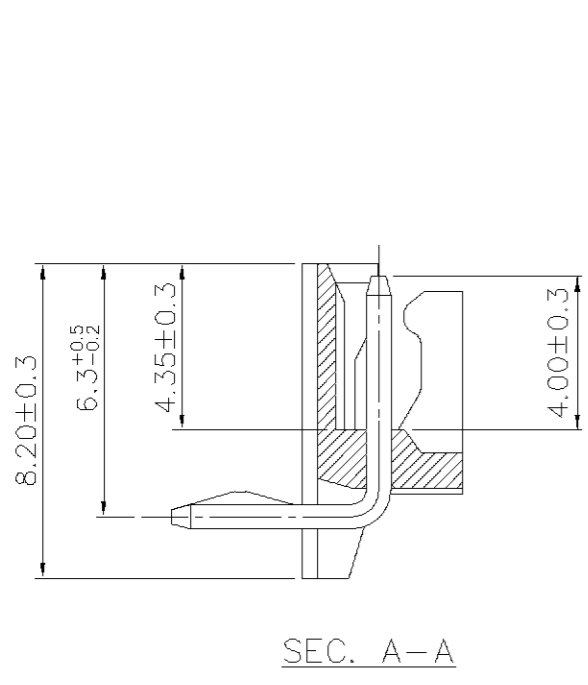


- NOTE:
- MATERIAL: POST: BRASS TIN-PLATED  
HOUSING: NYLON 66 UL 94V-0
  - WHEN EXTRACTING RECEPTACLE HOUSING FROM HEADER, NOT WIRE BUT RECEPTACLE HOUSING SHOULD BE GRIPED IN ORDER TO AVOID THE WIRE BREAKAGE.

**3** OBSOLETE PARTS: OBSOLETE CIS STREAMLINING PER D.RENAUD/D.SINISI

**4** PART 9-440053-2 IS PART 440053-3 BUT 2ND PIN REMOVED.



| DIM C             | DIM B | DIM A | CIRCUITS | PATR NO.              |
|-------------------|-------|-------|----------|-----------------------|
| 8.2               | 10.0  | 5.00  | 2P       | 9-440053-2            |
| <b>3</b> OBSOLETE | 38.2  | 40.0  | 15P      | <del>1-440053-5</del> |
|                   | 35.7  | 37.5  | 14P      | 1-440053-4            |
|                   | 33.2  | 35.0  | 13P      | 1-440053-3            |
|                   | 30.7  | 32.5  | 12P      | 1-440053-2            |
|                   | 28.2  | 30.0  | 11P      | 1-440053-1            |
|                   | 25.7  | 27.5  | 10P      | 1-440053-0            |
|                   | 23.2  | 25.0  | 9P       | 440053-9              |
|                   | 20.7  | 22.5  | 8P       | 440053-8              |
|                   | 18.2  | 20.0  | 7P       | 440053-7              |
|                   | 15.7  | 17.5  | 6P       | 440053-6              |
|                   | 13.2  | 15.0  | 5P       | 440053-5              |
|                   | 10.7  | 12.5  | 4P       | 440053-4              |
|                   | 8.2   | 10.0  | 3P       | 440053-3              |
|                   | 5.7   | 7.5   | 2P       | 440053-2              |

|   |  |   |  |                                    |
|---|--|---|--|------------------------------------|
| DIMENSION :<br>0 PLC ±<br>1 PLC ±<br>2 PLC ±<br>3 PLC ±<br>ANGLES ± |  | DR. A. WU<br>31-JAN-2001<br>CHK. J. CHENG<br>31-JAN-2001<br>APP. J. WU<br>31-JAN-2001 | <b>TE</b> TE Connectivity<br>NAME<br>2.5 MM PITCH HPI<br>RIGHT-ANGLE POST HEADERS. |                                    |
| MATERIAL<br>SEE NOTE  |  | PRODUCT SPEC<br>108-57099   | LOC DW A <sub>3</sub>  | DRAWING NO<br>C-440053             |
| FINISH<br>SEE NOTE  |  | APPLICATION SPEC  | SCALE --   | REV A <sub>3</sub><br>SHEET 1 OF 1 |

|     |                 |    |         |
|-----|-----------------|----|---------|
| A3  | ECR-18-001415   | TQ | 30JAN18 |
| LTR | REVISION RECORD | DR | DATE    |