

MATERIALS AND FINISHES

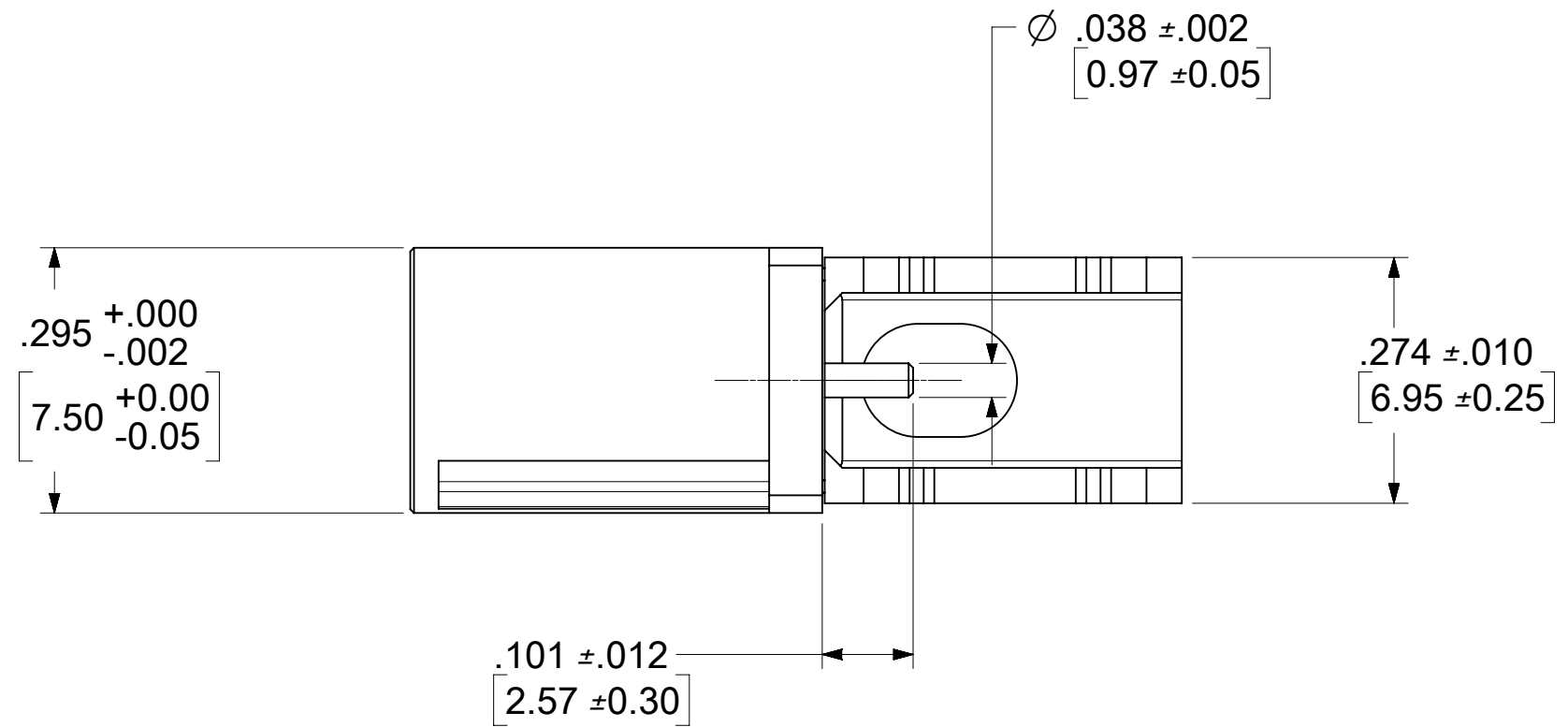
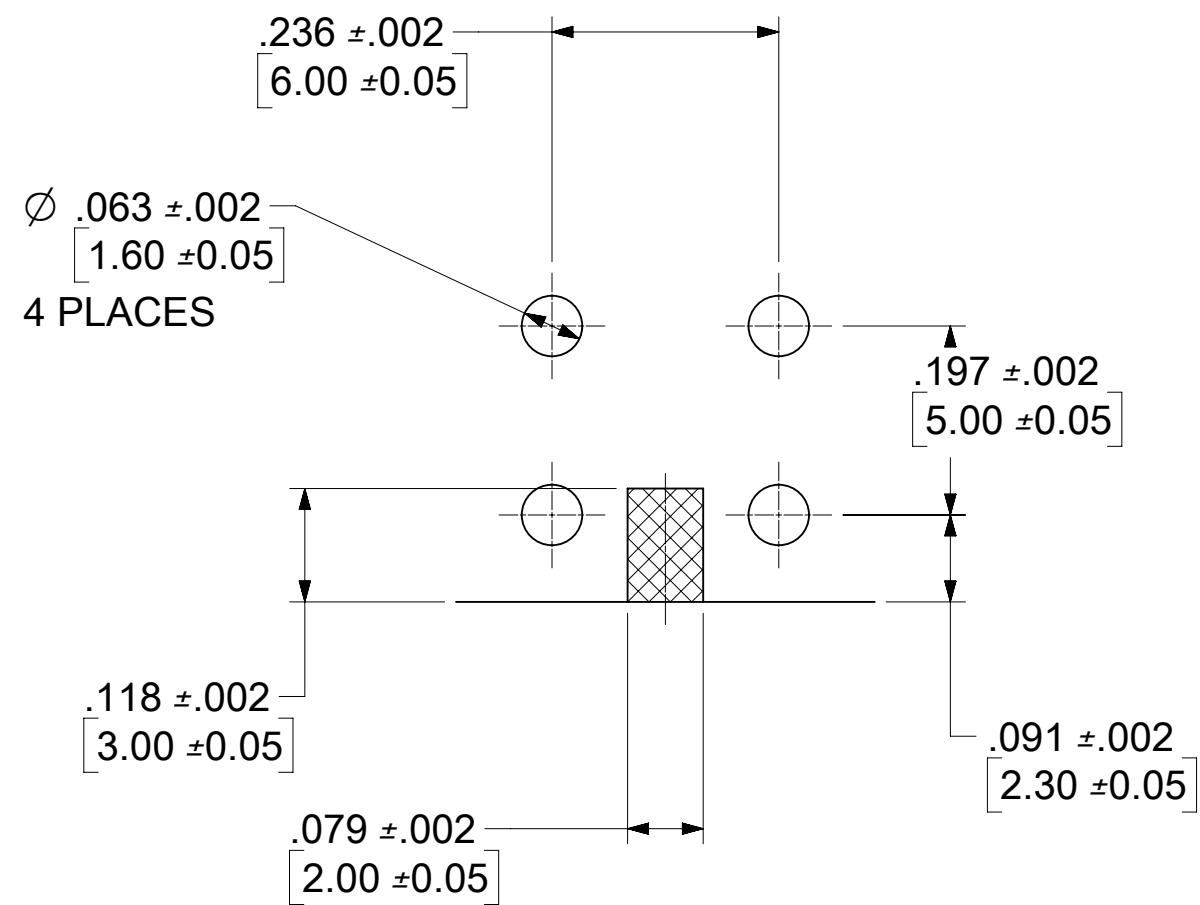
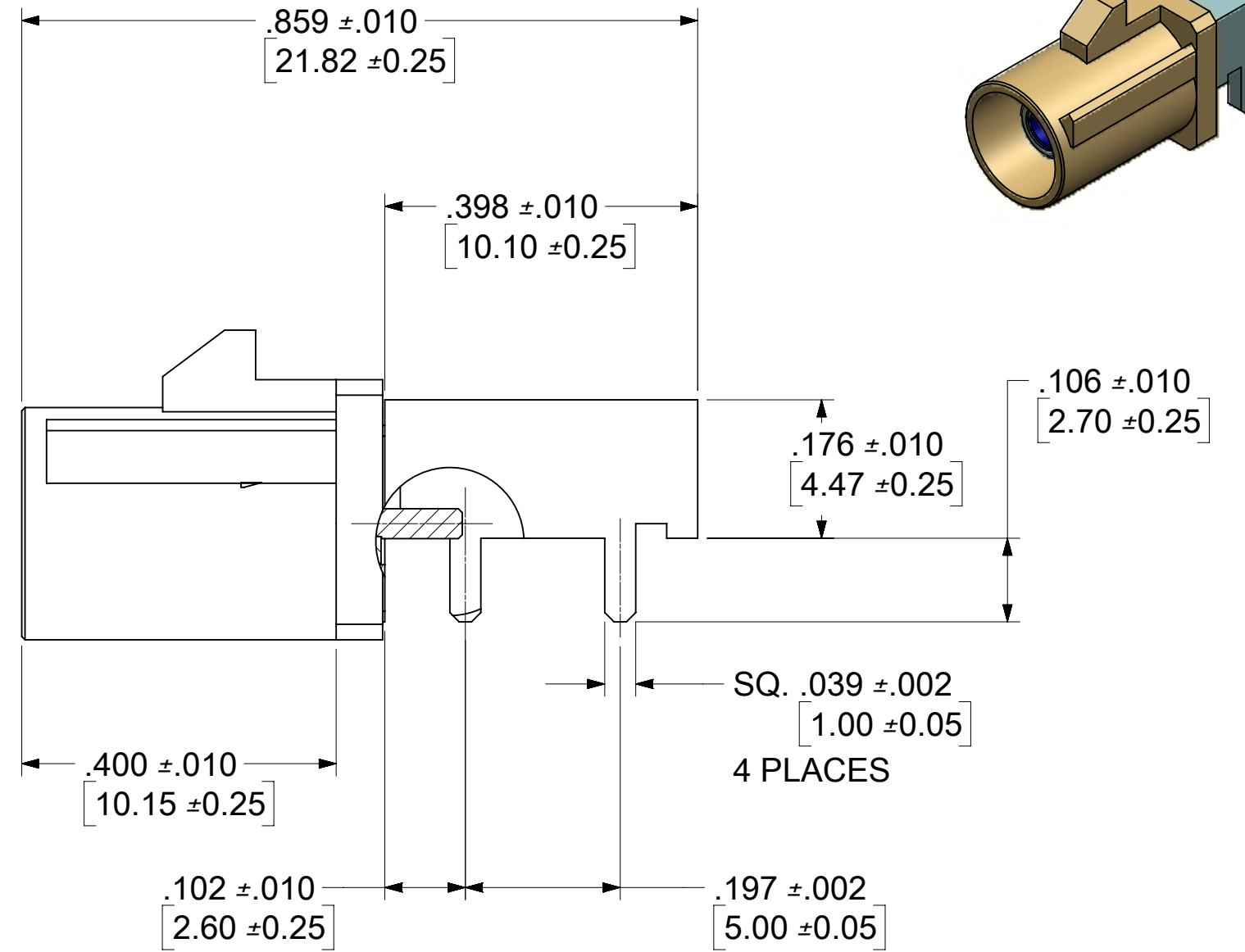
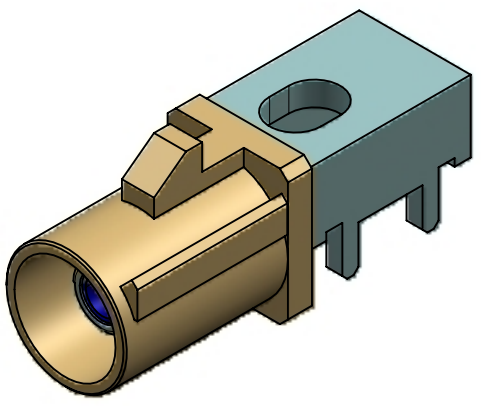
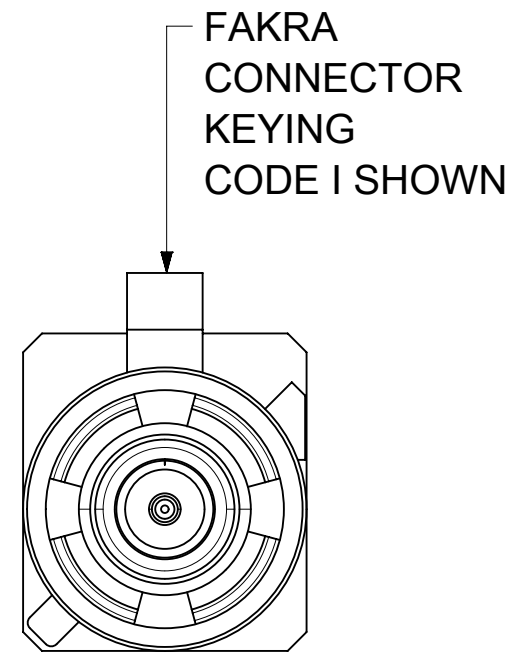
BODY, ZINC ALLOY
PLATED TIN

CENTER CONTACT, BRASS
PLATED GOLD

OUTER CASING, HIGH TEMPERATURE PLASTIC
KEYING SEE TABLE
COLOR SEE TABLE

INSULATOR, TEFLON

PACKAGING BY TRAY (PK-89542-006)



| | |
|--------------------------|-------------------------|
| PS-89675-3310 | PRODUCT SPECIFICATION |
| MIL-STD-348A, FIG. 311.1 | INTERFACE SPECIFICATION |
| SPECIFICATION | DESCRIPTION |

| | | |
|------|------------|------------------------------------|
| B | 2020/07/13 | DESIGN DESIGN PER EWR # 13064-B |
| A1 | 2019/04/30 | CHANGE TOLERANCE PER EWR # 13064-A |
| A | 2015/10/21 | RTM PER PDR15102094 |
| REV. | DATE | DESCRIPTION |

| | | | |
|--------------------|---|------------------------|--------------------------|
| FUNCTIONAL SYMBOLS | THIS DRAWING CONTAINS INFORMATION THAT IS PROPRIETARY TO MOLEX ELECTRONIC TECHNOLOGIES, LLC AND SHOULD NOT BE USED WITHOUT WRITTEN PERMISSION | | |
| | DIMENSION UNITS | SCALE | CURRENT REV DESC: |
| FA = 0 | HYBRID | NTS | |
| EC = 0 | GENERAL TOLERANCES (UNLESS SPECIFIED) | | |
| EP = 0 | ANGULAR TOL ± 2.0° | | |
| DIVISIONAL SYMBOLS | 4 PLACES | ± | EC NO: 645432 |
| | 3 PLACES | ± | DRWN: ELIN 2020/07/13 |
| | 2 PLACES | ± | CHK'D: YCHENG 2020/09/29 |
| | 1 PLACE | ± | APPR: YCHENG 2020/09/29 |
| | 0 PLACES | ± | INITIAL REVISION: |
| | | | DRWN: ELIN 2015/10/21 |
| | | | APPR: YCHENG 2015/10/26 |
| | DRAFT WHERE APPLICABLE MUST REMAIN WITHIN DIMENSIONS | THIRD ANGLE PROJECTION | DRAWING SERIES |
| | | | C-SIZE 73403 |
| DOCUMENT STATUS | | DOC TYPE | DOC PART |
| P1 | RELEASE DATE | 2020/09/29 | 06:17:41 |
| SD-73403-535 | | PSD | 001 |
| MATERIAL NUMBER | | CUSTOMER | SHEET NUMBER |
| SEE TABLE | | GENERAL MARKET | 1 OF 2 |

molex

SMB J FAKRA PIN IN PASTE 50 OHMS WITH LATCH UP, EWR # 13064, FAKRA-J/PCB/PIN IN PASTE

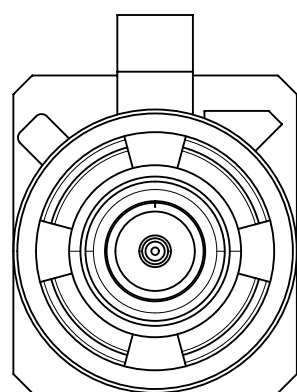
PRODUCT CUSTOMER DRAWING

DOCUMENT NUMBER DOC TYPE DOC PART REVISION

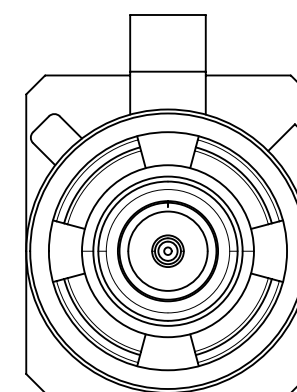
SD-73403-535 PSD 001 B

MATERIAL NUMBER CUSTOMER SHEET NUMBER

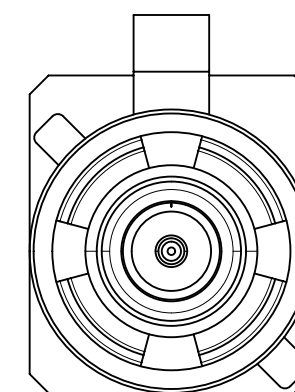
SEE TABLE GENERAL MARKET 1 OF 2



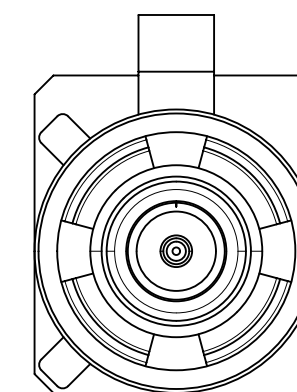
CODE A



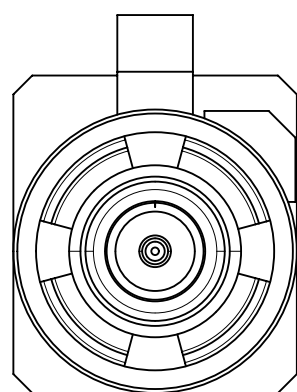
CODE B



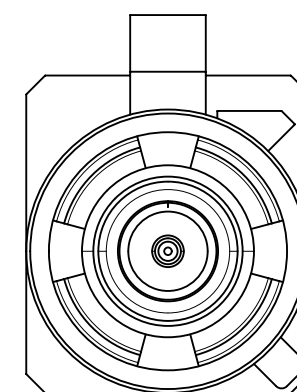
CODE C



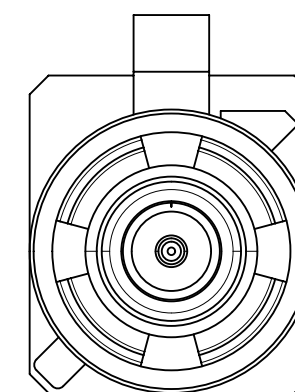
CODE D



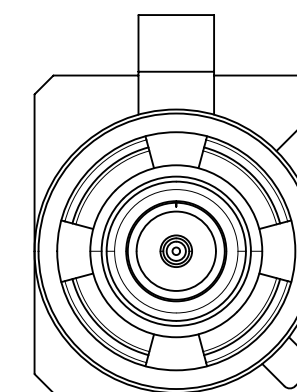
CODE E



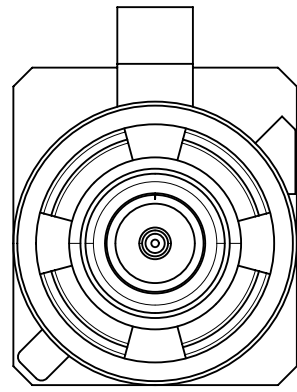
CODE F



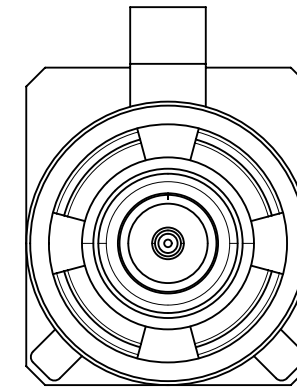
CODE G



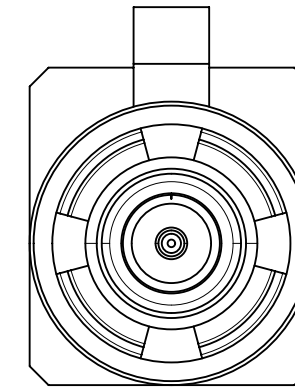
CODE H



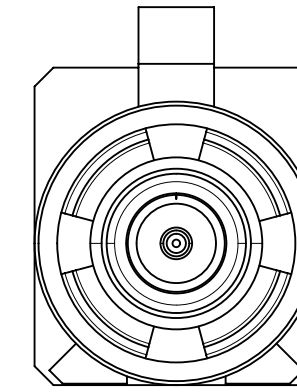
CODE I



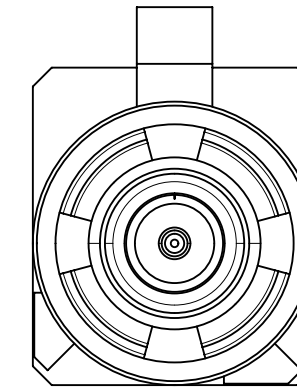
CODE K



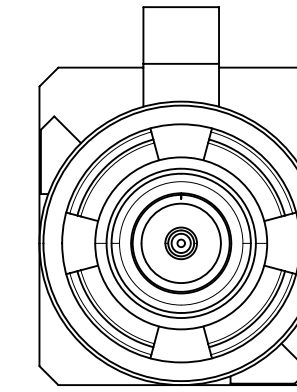
CODE Z



CODE L



CODE M



CODE N

| | | |
|-------------|----------------|------------|
| N | PASTEL GREEN | 73403-5363 |
| M | PASTEL ORANGE | 73403-5362 |
| L | CARMINE RED | 73403-5361 |
| Z | WATER BLUE | 73403-5360 |
| K | CURRY YELLOW | 73403-5359 |
| I | BEIGE | 73403-5358 |
| H | VIOLET | 73403-5357 |
| G | GRAY | 73403-5356 |
| F | BROWN | 73403-5355 |
| E | GREEN | 73403-5354 |
| D | BORDEAUXVIOLET | 73403-5353 |
| C | BLUE | 73403-5352 |
| B | SINGLE WHITE | 73403-5351 |
| A | BLACK | 73403-5350 |
| KEYING CODE | COLOR | PART NO. |

| | | | | | |
|--|---|--|---|--|--|
| FUNCTIONAL SYMBOLS $\nabla_A = 0$ $\nabla_C = 0$ $\nabla_P = 0$ | THIS DRAWING CONTAINS INFORMATION THAT IS PROPRIETARY TO MOLEX ELECTRONIC TECHNOLOGIES, LLC AND SHOULD NOT BE USED WITHOUT WRITTEN PERMISSION | | CURRENT REV DESC: | | |
| | DIMENSION UNITS: HYBRID SCALE: NTS | GENERAL TOLERANCES (UNLESS SPECIFIED) ANGULAR TOL $\pm 2.0^\circ$ | | EC NO: 645432 DRWN: ELIN 2020/07/13 CHK'D: YCHENG 2020/09/29 APPR: YCHENG 2020/09/29 | |
| DIVISIONAL SYMBOLS 4 PLACES \pm 3 PLACES \pm 2 PLACES \pm 1 PLACE \pm 0 PLACES \pm | DRAFT WHERE APPLICABLE MUST REMAIN WITHIN DIMENSIONS | | THIRD ANGLE PROJECTION | DRAWING: C-SIZE | SERIES: 73403 |
| | DOCUMENT STATUS: P1 RELEASE DATE: 2020/09/29 06:17:41 | | INITIAL REVISION: DRWN: ELIN 2015/10/21 APPR: YCHENG 2015/10/26 | | PRODUCT CUSTOMER DRAWING DOCUMENT NUMBER: SD-73403-535 DOC TYPE: PSD DOC PART: 001 REVISION: B |
| MATERIAL NUMBER: SEE TABLE CUSTOMER: GENERAL MARKET | | SHEET NUMBER: 2 OF 2 | | MOLEX SMB J FAKRA PIN IN PASTE 50 OHMS WITH LATCH UP, EWR # 13064, FAKRA-J/PCB/PIN IN PASTE | |