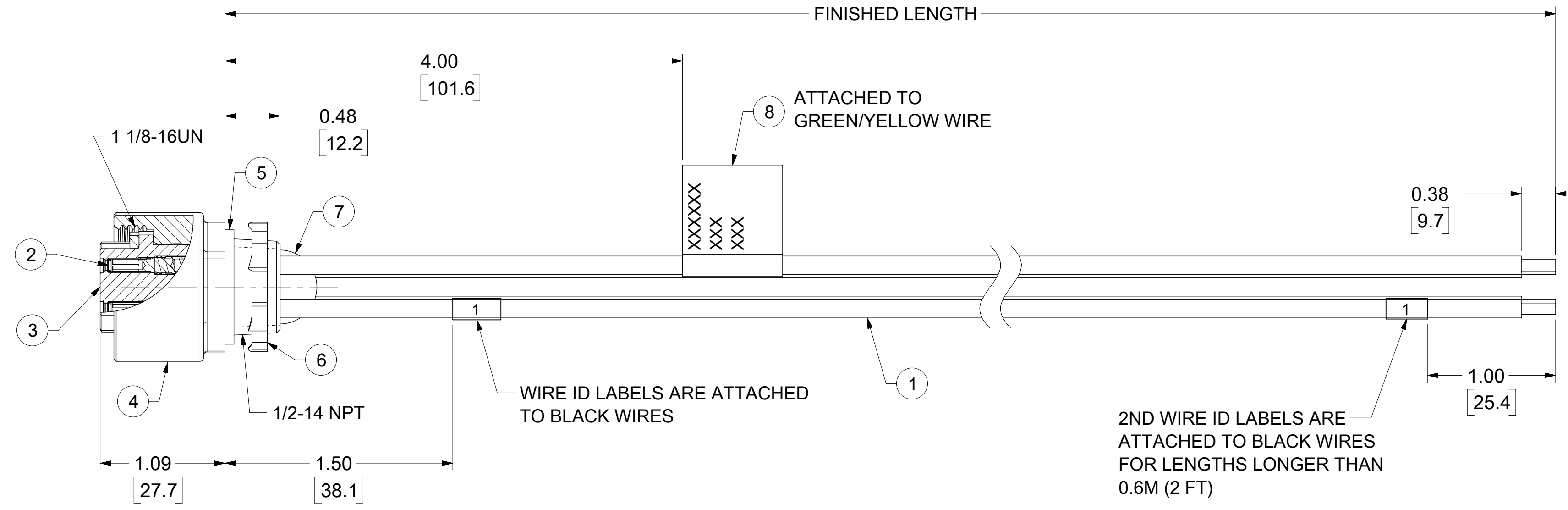
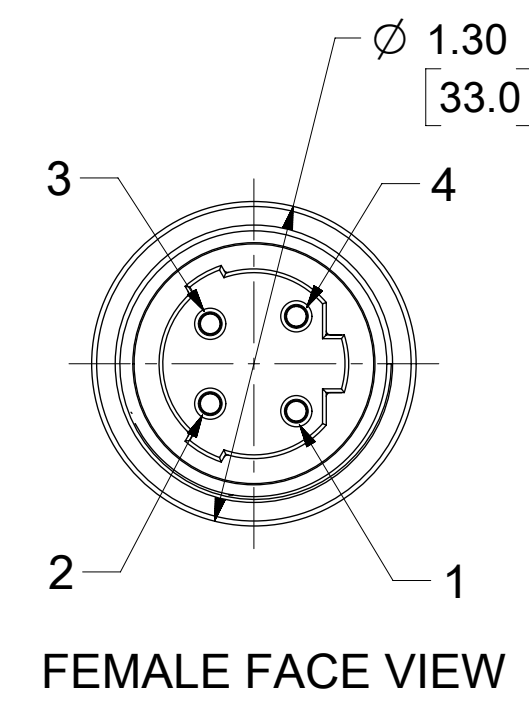
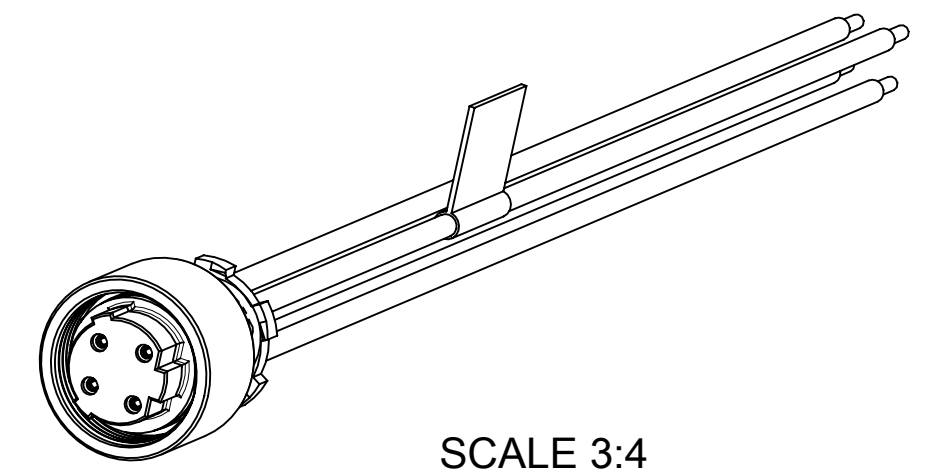


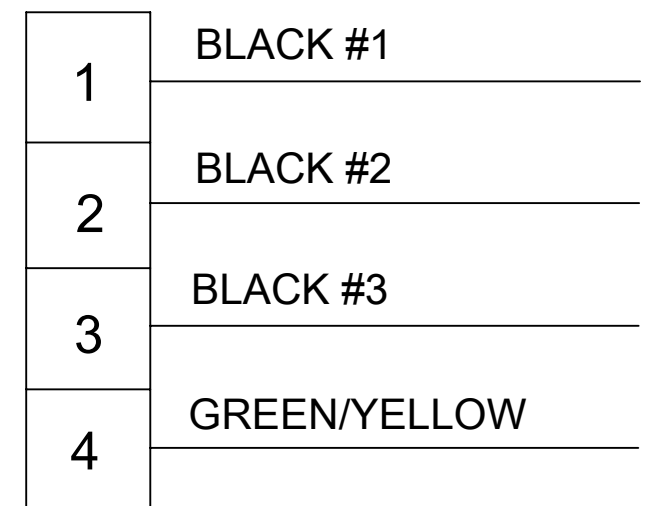
PART NO.	ENGINEERING NO.	FINISHED LENGTH
1300660320	3R4100A84M0033	0.3M (11.81 IN)
1300662019	3R4100A84M0203	2M (6 FT 6.74 IN)
1300662021	3R4100A84M0403	4M (13 FT 1.48 IN)

CABLE LENGTH TOLERANCES
 <.3M [1FT]: +19mm-0 [+0.75in-0]
 .3 - .9M [1 - 3FT]: +44.5mm-0 [+1.75in-0]
 .9 - 1.8M [3 - 6FT]: +55.6mm-0 [+2.19in-0]
 1.8 - 3.7M [6 - 12FT]: +88.9mm-0 [+3.50in-0]
 3.7 - 7.3M [12 - 24FT]: +165.1mm-0 [+6.50in-0]
 7.3-14.6M [24 - 48FT]: +317.5mm-0 [+12.50in-0]
 14.6 - 30.5M [48-100FT]: +622.3mm-0 [+24.50in-0]
 OVER 30M [100FT] +2% OF FINISHED LENGTH



- NOTES:**
- MATERIAL: AS NOTED
 - FINISH: AS NOTED
 - ELECTRICAL:
 VOLTAGE: 483V PER IEC60664
 600V PER UL2237
 CURRENT: 25A
 - TEMP RATING: -20°C TO +105°C
 - PROTECTION: IP67 (WHEN MATED)
 - UL LISTED FILE: 258922
 - ALL DIMS ARE FOR REFERENCE UNLESS TOLERANCED OR NOTED OTHERWISE

WIRING DIAGRAM



PART NUMBER LEGEND

3R4100A84M0033

FINISHED LENGTH
 M001 = 0.1 METER
 M010 = 1 METER
 M100 = 10 METER

8	FLAG LABEL	VINYL	YELLOW
7	POTTING MATERIAL	EPOXY	BLACK
6	LOCK NUT	STEEL	ZINC PLATED
5	GASKET	NITRILE	BLACK
4	RECEPTACLE SHELL	Cu ALLOY	NICKEL PLATED
3	FEMALE INSERT	TPE	BLACK
2	SOCKET CONTACT	Cu ALLOY	GOLD OVER NICKEL
1	#12-4 AWG, WIRE, 1015/TEW	PVC	SEE WIRING DIAGRAM
ITEM	DESCRIPTION	MATERIAL	FINISH

THIS DRAWING CONTAINS INFORMATION THAT IS PROPRIETARY TO MOLEX ELECTRONIC TECHNOLOGIES, LLC AND SHOULD NOT BE USED WITHOUT WRITTEN PERMISSION											
FUNCTIONAL SYMBOLS	DIMENSION UNITS	SCALE	CURRENT REV DESC: UPDATED IEC VOLT, TEMP RATING, MATERIAL TABLE, BOM TABLE & TOL. TABLE								
$\frac{F}{A} = 0$	INCH/MM	1.3:1	<p>EC NO: 718076</p> <p>DRWN: VHANDI 2020/09/30</p> <p>CHK'D: RSTONE 2022/08/18</p> <p>APPR: BWOODMAN 2022/08/22</p> <p>INITIAL REVISION:</p> <p>DRWN: TWOLDEGEBRIE 2016/07/11</p> <p>APPR: BWOODMAN 2016/11/14</p>								
$\frac{F}{C} = 0$	GENERAL TOLERANCES (UNLESS SPECIFIED)										
$\frac{F}{P} = 0$	4 PLACES	±									
DIVISIONAL SYMBOLS	3 PLACES	±									
	2 PLACES	±	PRODUCT CUSTOMER DRAWING								
	1 PLACE	±	DOCUMENT NUMBER						DOC TYPE	DOC PART	REVISION
	0 PLACES	±	1300660320						PSD	000	B2
	ANGULAR TOL	± °	MATERIAL NUMBER			CUSTOMER			SHEET NUMBER		
	DRAFT WHERE APPLICABLE MUST REMAIN WITHIN DIMENSIONS		SEE TABLE			GENERAL MARKET			1 OF 1		