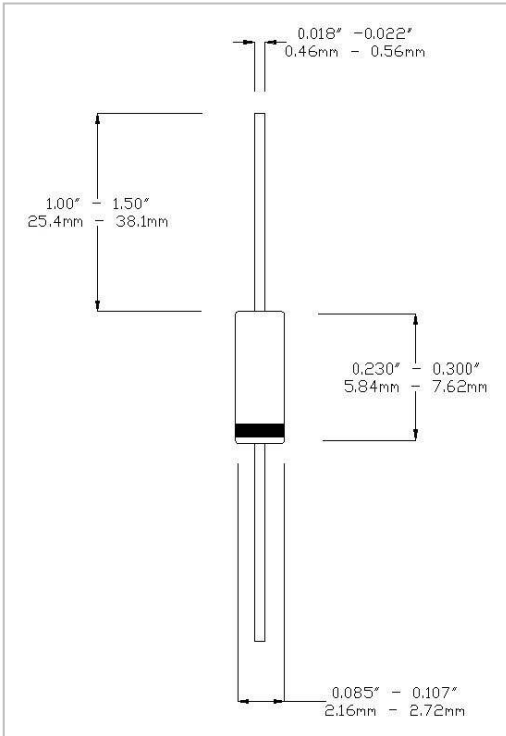


# 1N3600

## FEATURES

- 1N3600 AVAILABLE IN JAN, JANTX, AND JANTXV PER MIL-PRF-19500/231
- SWITCHING DIODE
- METALLURGICALLY BONDED
- HERMETICALLY SEALED
- DOUBLE PLUG CONSTRUCTION



## MAXIMUM RATINGS AT 25 °C

Operating Temperature:	-65°C to +175°C
Storage Temperature:	-65°C to +175°C
Surge Current A, sine 1uS:	4.0A
Surge Current B, sine 1S:	0.5A
Total Power Dissipation:	500mW
Operating Current:	200mA, T <sub>A</sub> = +25°C to +75°C
Derating Factor:	2mA/°C above T <sub>L</sub> (3/8")= +75°C
D.C. Reverse Voltage (VRWM):	50V

## DC ELECTRICAL CHARACTERISTICS

V <sub>F</sub>				I <sub>R</sub>				V <sub>BR</sub>			
Ambient (°C)	I <sub>F</sub> mA	Min V	Max V	Ambient (°C)	V (dc)	Min μA	Max μA	Ambient (°C)	I <sub>R</sub> μA	Min V	Max V
25	1	.54	.62	25	50	-	0.1	25	10	75	-
25	10	.66	.74	150	50	-	100				
25	50	.76	.86								
25	100	.82	.92								
25	200	.87	1.00								

## DESIGN DATA

**Case:** Hermetically sealed glass package per MIL-PRF-19500/231 DO-7 outline

**Lead Material:** Copper clad steel

**Lead Finish:** Tin/Lead

**Thermal Resistance (R<sub>θJL</sub>):** 250°C/W maximum at L=.375"

**Thermal Impedance (Z<sub>θJX</sub>):** 70°C/W maximum

**Marking:** Alpha numeric.

**Polarity:** Cathode end is banded.

## AC ELECTRICAL CHARACTERISTICS AT 25°C

	Symbol	Min	Max
Capacitance @ 0V	pF	-	2.5
T <sub>RR</sub> @ I <sub>F</sub> =I <sub>R</sub> =10mA, I <sub>Rec</sub> = 1mA.	nsec	-	4
V <sub>FR</sub> @ I <sub>F</sub> = 200mA	V	-	5
T <sub>FR</sub> @ I <sub>F</sub> = 200mA	nsec	-	10



WWW.MICROSEMI.COM

IRELAND - GORT ROAD, ENNIS, CO. CLARE

PHONE: +353 65 6840044

TOLL FREE: +186 62 702434

FAX: +353 65 6822298

U.S.A. DOMESTIC SALES CONTACT

PHONE: (617) 926 0404

TOLL FREE: 1 800 666 2999