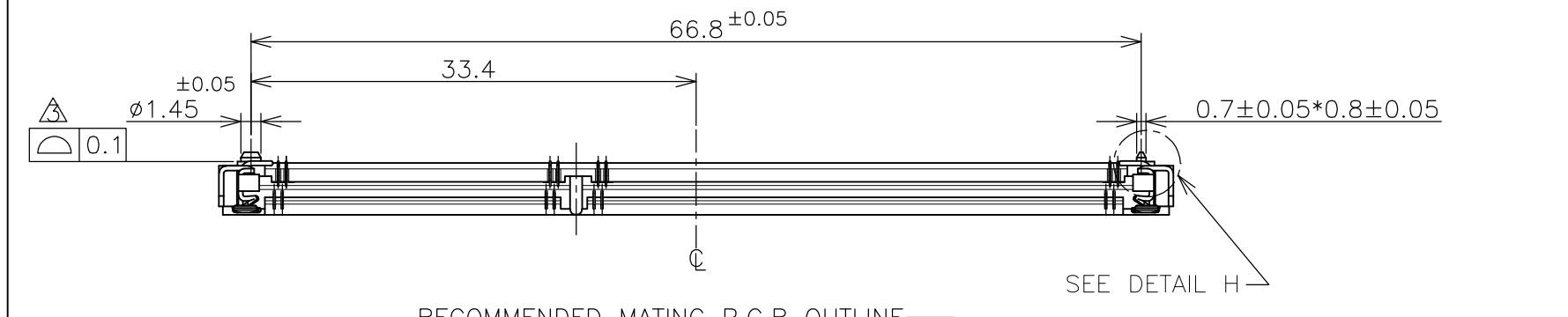
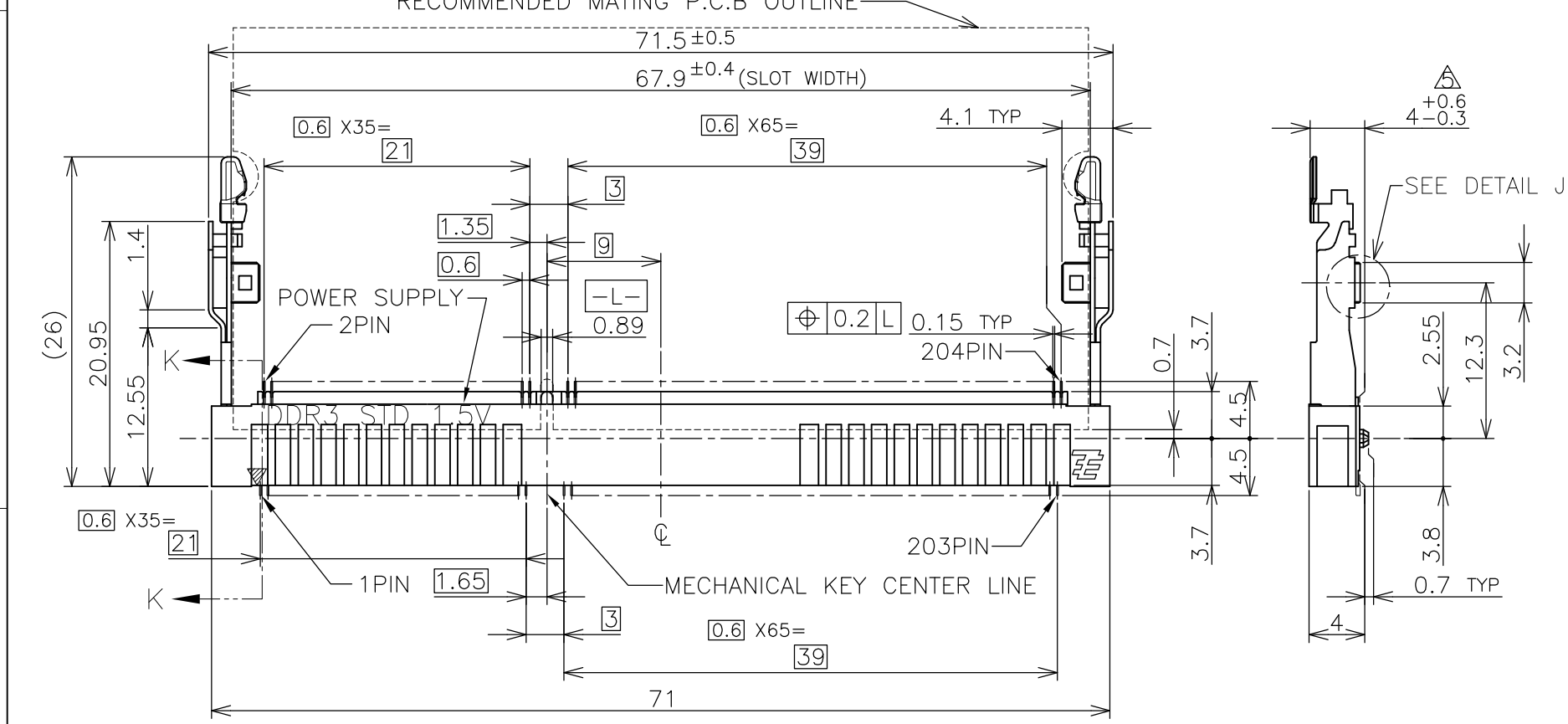
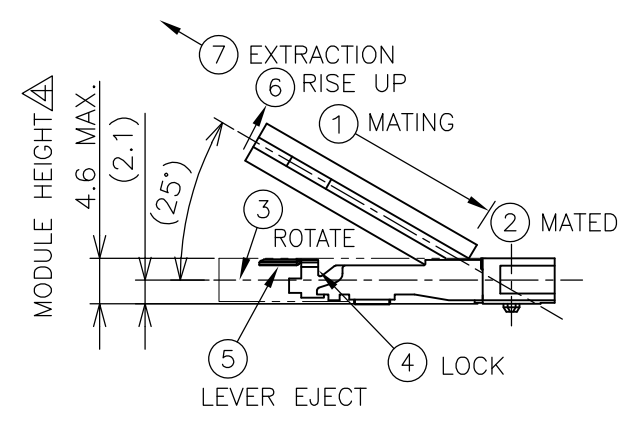


THIS DRAWING IS UNPUBLISHED. RELEASED FOR PUBLICATION FEB. 2006.  
 © COPYRIGHT 2006 By - ALL RIGHTS RESERVED.

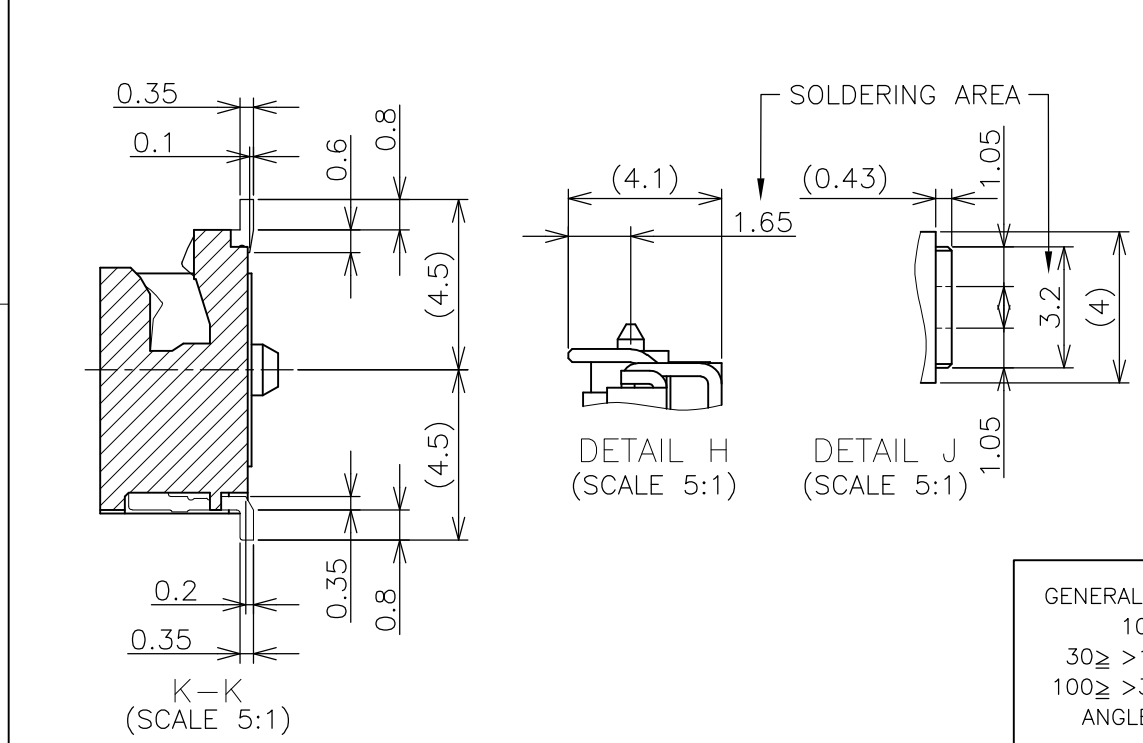
| LOC | DIST | REVISIONS                 |           |     |      |
|-----|------|---------------------------|-----------|-----|------|
| P   | LTR  | DESCRIPTION               | DATE      | DWN | APVD |
| J   | /    |                           |           |     |      |
|     | C    | REVISED PER ECR-12-004002 | 01MAR2012 | W.W | C.W  |



HOW TO MATE AND UNMATE  
 MATE: ① → ④  
 UNMATE: ⑤ → ⑦



- (APPLIED TO SHEET 1-3)
- 1. MATERIAL ; HOUSING: HIGH TEMPERATURE THERMO PLASTIC UL94V-0  
 COLOR: BLACK  
 CONTACT: COPPER ARROY  
 LOCK LEVER: STAINLESS STEEL
  - 2-1. FINISH ; CONTACT AREA: GOLD FLASH  
 ALL OVER NICKEL.  
 SOLDERING AREA: GOLD FLASH PLATING  
 LOCK LEVER: TIN PLATING
  - 2-2. FINISH ; CONTACT AREA: 0.000254MIN GOLD  
 ALL OVER NICKEL.  
 SOLDERING AREA: GOLD FLASH PLATING  
 LOCK LEVER: TIN PLATING
  - 2-3. FINISH ; CONTACT AREA: 0.00076MIN GOLD  
 ALL OVER NICKEL.  
 SOLDERING AREA: GOLD FLASH PLATING  
 LOCK LEVER: TIN PLATING
- △ COPLANARITY: 0.1 MAX. (BEFORE SOLDERING)  
 △ THE FLOATING VALUE BY SOLDERING IS NOT INCLUDED.  
 △ NOT MATING CONDITION.
6. IF THE MODULE DOESN'T INSERT AND LOCK IN THE LATCH SMOOTHLY,  
 OPEN WIDE BOTH LATCHES BY MANUAL. AND THE MODULE MUST BE  
 INSERTED AND LOCKED IN THE LATCH.



GENERAL TOLERANCE  
 10 ≥ : ± 0.2  
 30 ≥ > 10 : ± 0.25  
 100 ≥ > 30 : ± 0.3  
 ANGLES : ± 3°

|  |  |                          |                          |                 |
|--|--|--------------------------|--------------------------|-----------------|
| THIS DRAWING IS A CONTROLLED DOCUMENT. |  | DWN T.FUMIKURA 18SEP2007 | TE Connectivity          |                 |
| DIMENSIONS: MM                         |  | CHK K.IKEGAMI 18SEP2007  |                          |                 |
| TOLERANCES UNLESS OTHERWISE SPECIFIED: |  | APVD K.IKEGAMI 18SEP2007 | NAME                     |                 |
| 0 PLC ±                                |  | PRODUCT SPEC             | DDR3 SODIMM SOCKET       |                 |
| 1 PLC ±                                |  | 108-78493                | 0.6mm PITCH 204POS       |                 |
| 2 PLC ±                                |  | APPLICATION SPEC         | 4mm HEIGHT STANDARD TYPE |                 |
| 3 PLC ±                                |  | WEIGHT 3.6g              | SIZE A3                  | CAGE CODE 00779 |
| 4 PLC ±                                |  | CUSTOMER DRAWING         | DRAWING NO C-2013022     | RESTRICTED TO   |
| ANGLES ±                               |  |                          | SCALE 2:1                | SHEET 1 OF 6    |
| FINISH                                 |  |                          | REV C                    |                 |

4

3

2

1

THIS DRAWING IS UNPUBLISHED.


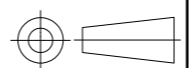
RELEASED FOR PUBLICATION FEB , 2006.

© COPYRIGHT 2006 By -

ALL RIGHTS RESERVED.

| LOC |     | DIST        |  | REVISIONS |      |     |      |  |
|-----|-----|-------------|--|-----------|------|-----|------|--|
| P   | LTR | DESCRIPTION |  |           | DATE | DWN | APVD |  |
|     | -   | SEE SHEET 1 |  |           | -    | -   | -    |  |

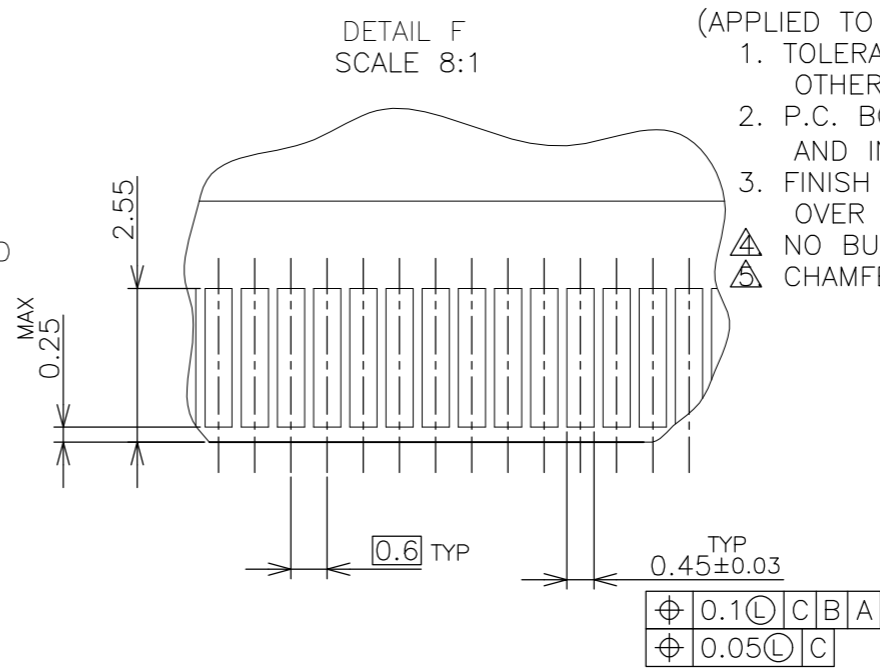
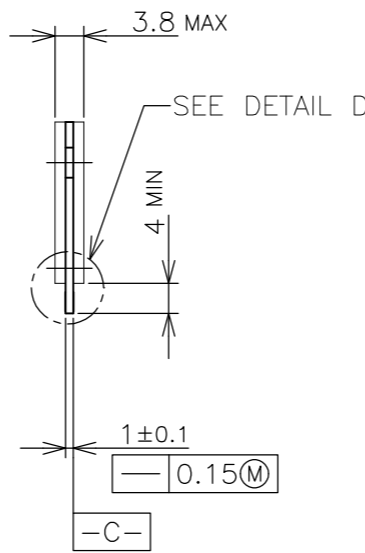
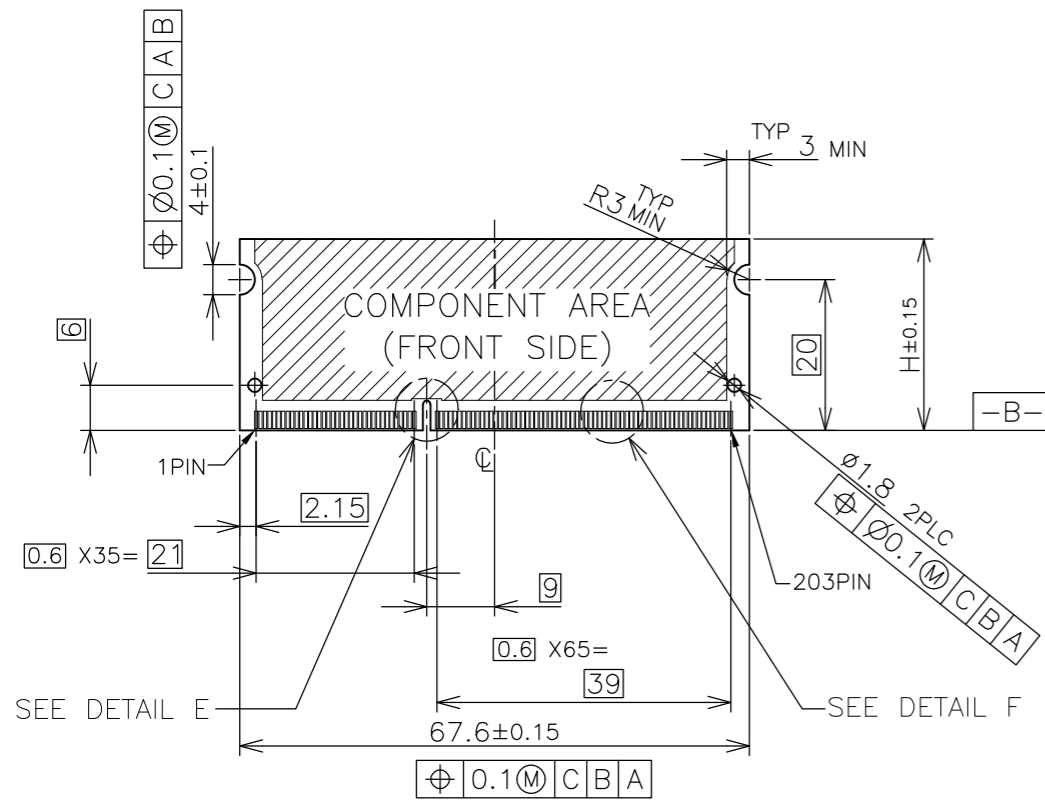
| TOOLING STATUS | PACKING TYPE                 | BOSS TYPE | HOUSING COLOR | FINISH   | POWER SUPPLY | POS | PART NO.    |
|----------------|------------------------------|-----------|---------------|----------|--------------|-----|-------------|
| AVAILABLE      | ENBOSS (SEE SHEET 6)         | WITH BOSS | BLACK         | NOTE 2-3 | 1.5V         | 204 | 2-2013022-3 |
| AVAILABLE      | ENBOSS (SEE SHEET 6)         | WITH BOSS | BLACK         | NOTE 2-2 | 1.5V         | 204 | 2-2013022-2 |
| AVAILABLE      | ENBOSS (SEE SHEET 6)         | WITH BOSS | BLACK         | NOTE 2-1 | 1.5V         | 204 | 2-2013022-1 |
| AVAILABLE      | SEMI-HARD TRAY (SEE SHEET 5) | WITH BOSS | BLACK         | NOTE 2-3 | 1.5V         | 204 | 2013022-3   |
| AVAILABLE      | SEMI-HARD TRAY (SEE SHEET 5) | WITH BOSS | BLACK         | NOTE 2-2 | 1.5V         | 204 | 2013022-2   |
| AVAILABLE      | SEMI-HARD TRAY (SEE SHEET 5) | WITH BOSS | BLACK         | NOTE 2-1 | 1.5V         | 204 | 2013022-1   |

|   |  |   |  |  |  |  |  |
|---|--|---|--|--|--|--|--|
| THIS DRAWING IS A CONTROLLED DOCUMENT.  |  | DWN   |  |  <b>TE Connectivity</b> |  |  |  |
| DIMENSIONS: MM  |  | CHK   |  |  |  |  |  |
|    |  | APVD  |  |  |  | NAME   |  |
|   |  | PRODUCT SPEC  |  |  |  | DDR3 SODIMM SOCKET<br>0.6mm PITCH 204POS<br>4mm HEIGHT STANDARD TYPE |  |
| <b>GENERAL TOLERANCE</b><br>10 $\geq$ : $\pm$ 0.2<br>30 $\geq$ >10: $\pm$ 0.25<br>100 $\geq$ >30: $\pm$ 0.3<br>ANGLES: $\pm$ 3' |  | TOLERANCES UNLESS OTHERWISE SPECIFIED:<br>0 PLC $\pm$<br>1 PLC $\pm$<br>2 PLC $\pm$<br>3 PLC $\pm$<br>4 PLC $\pm$<br>ANGLES $\pm$ |  | APPLICATION SPEC<br>WEIGHT<br>SIZE CAGE CODE DRAWING NO RESTRICTED TO<br><b>A3 00779 C-2013022</b>           |  |  |  |
| MATERIAL  |  | FINISH  |  | CUSTOMER DRAWING SCALE <b>FREE</b> SHEET <b>2</b> OF <b>6</b> REV <b>C</b>                                   |  |  |  |

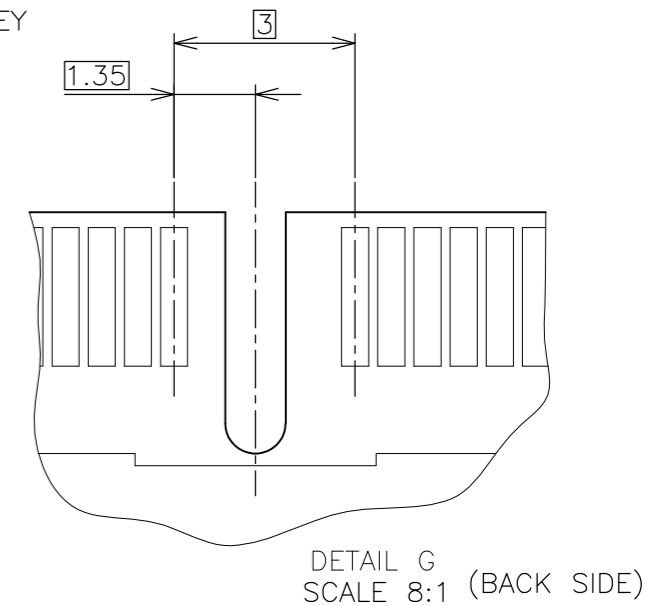
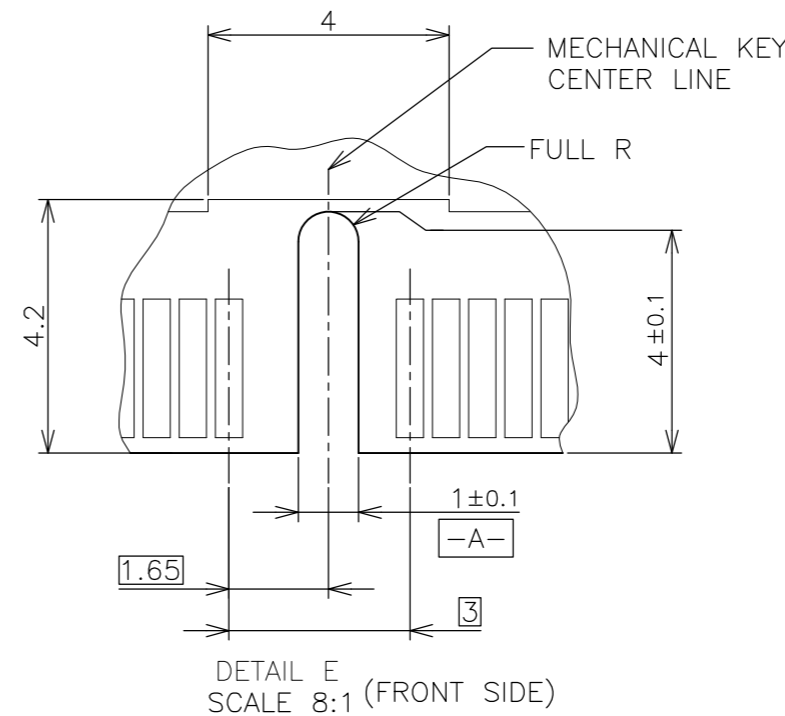
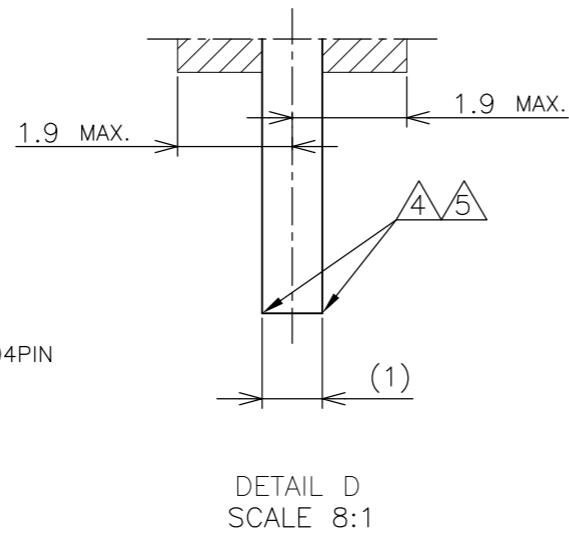
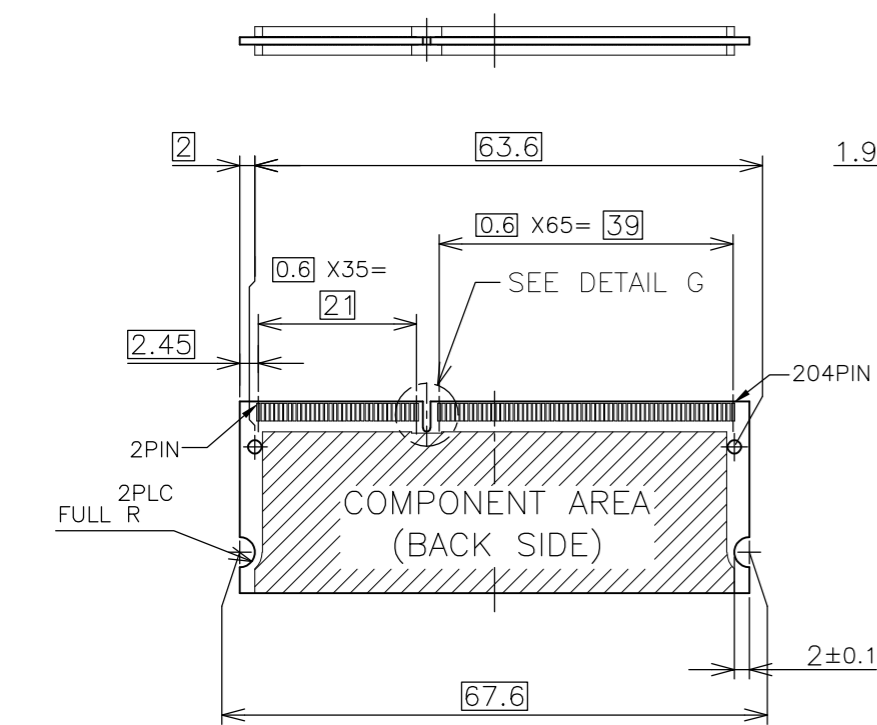


| LOC | DIST | REVISIONS |     |             |      |     |      |
|-----|------|-----------|-----|-------------|------|-----|------|
|     |      | P         | LTR | DESCRIPTION | DATE | DWN | APVD |
| J   | /    |           | -   | SEE SHEET 1 | -    | -   | -    |

# REFERENCE MATING P.C.B CONFIGURATION



- (APPLIED TO SHEET 4)
1. TOLERANCES ON ALL DIMENSIONS ±0.15 UNLESS OTHERWISE SPECIFIED.
  2. P.C. BOARD THICKNESS APPLIES ACROSS TABS AND INCLUDES PLATING AND/OR METALIZATION.
  3. FINISH OF PAD : GOLD PLATING 0.00076 MIN. OVER Ni PLATING 0.002MIN.
- ⚠ NO BURR  
⚠ CHAMFER 0.25 MAX x 45° IF EXIST.



|       |                  |
|-------|------------------|
| 30    | CA               |
| 31.75 | BA               |
| 25.4  | AA               |
| H     | SDRAM VARIATIONS |

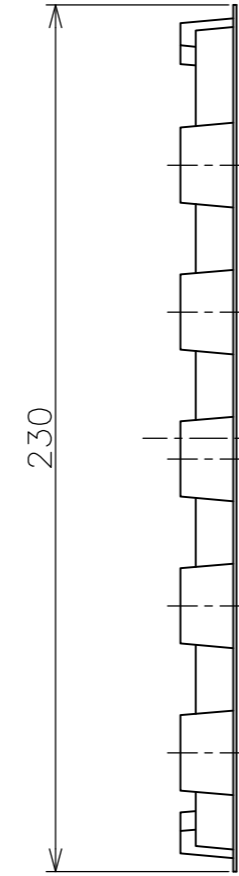
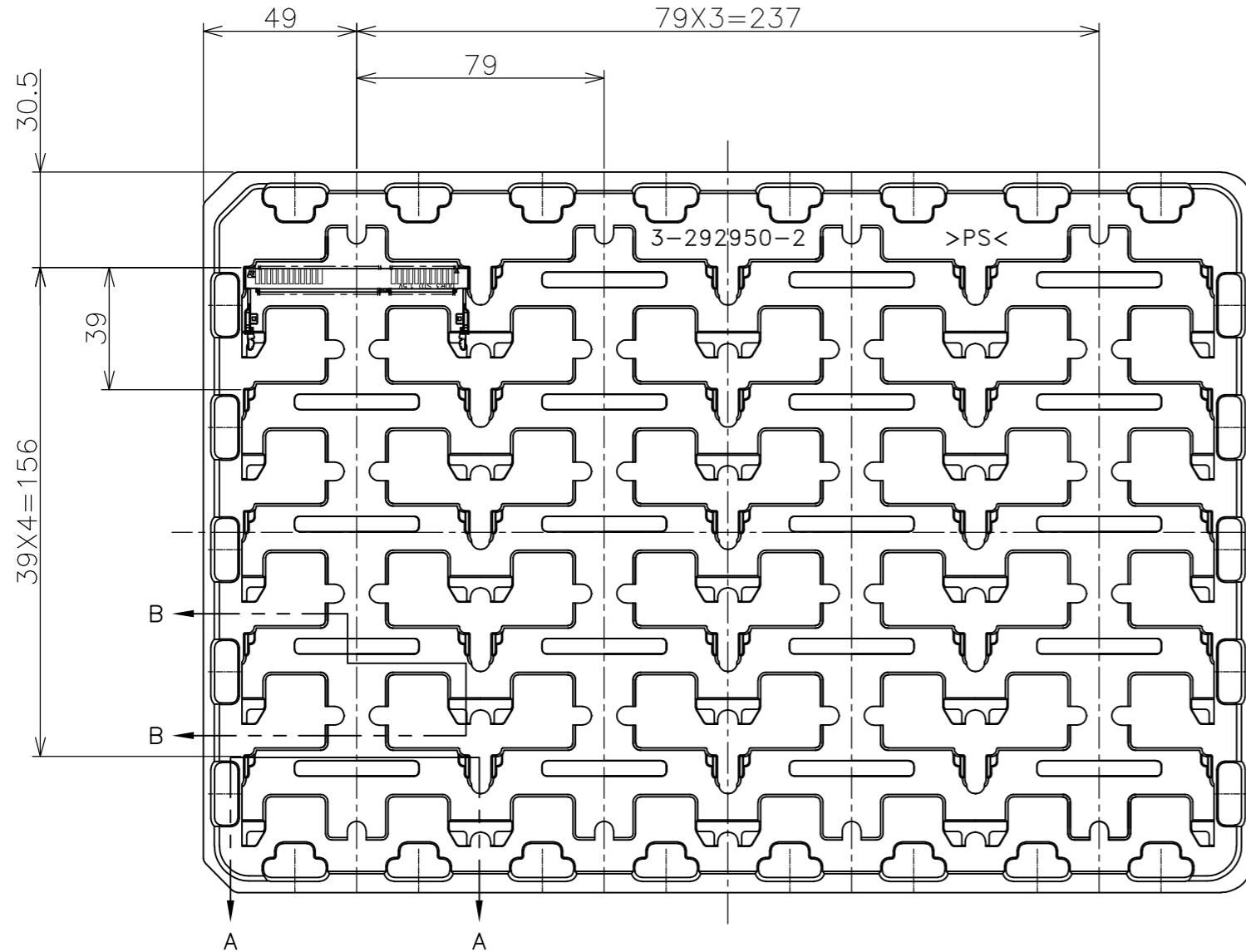
|  |  |                  |                          |           |            |               |
|--|--|------------------|--------------------------|-----------|------------|---------------|
| THIS DRAWING IS A CONTROLLED DOCUMENT.   |  | DWN              | TE Connectivity          |           |            |               |
| DIMENSIONS: MM   |  | CHK              |                          |           |            |               |
| TOLERANCES UNLESS OTHERWISE SPECIFIED:   |  | APVD             |                          |           |            |               |
| 0 PLC ±<br>1 PLC ±<br>2 PLC ±<br>3 PLC ±<br>4 PLC ±<br>ANGLES ±<br>MATERIAL FINISH ± |  | NAME             |                          |           |            |               |
| MATERIAL   |  | PRODUCT SPEC     | DDR3 SODIMM SOCKET       |           |            |               |
|  |  | APPLICATION SPEC | 0.6mm PITCH 204POS       |           |            |               |
|  |  | WEIGHT           | 4mm HEIGHT STANDARD TYPE |           |            |               |
|  |  | CUSTOMER DRAWING | SIZE                     | CAGE CODE | DRAWING NO | RESTRICTED TO |
|  |  |                  | A3                       | 00779     | C-2013022  | -             |
|  |  |                  | SCALE                    | SHEET     | REV        |               |
|  |  |                  | 2:1                      | 4 OF 6    | C          |               |

LOC  
J

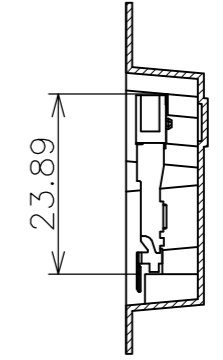
DIST  
/

REVISIONS

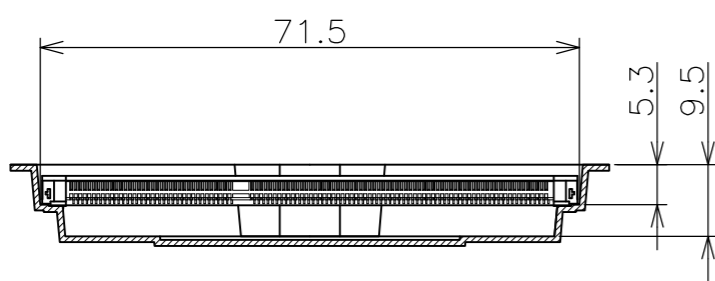
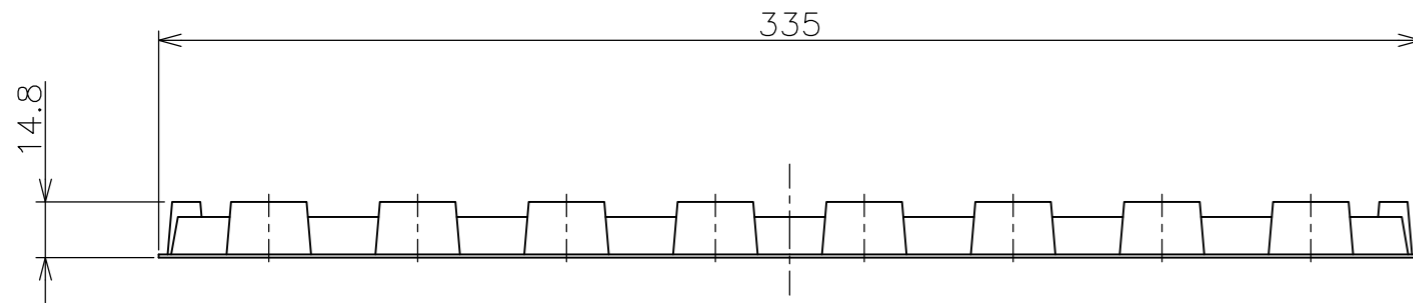
| P | LTR | DESCRIPTION | DATE | DWN | APVD |
|---|-----|-------------|------|-----|------|
| - | -   | SEE SHEET 1 | -    | -   | -    |



- (APPLIED TO SHEET 5)
1. THE DIRECTION OF EACH CONNECTOR ON A TRAY IS REFERRED TO THIS DRAWING.
  2. GENERAL TOLERANCE:  $\pm 0.5$ ,  $\pm 3'$



B-B  
SCALE 1:1



A-A  
SCALE 1:1  
(180DEG. ROTATE)

|         |          |             |
|---------|----------|-------------|
| 240EA   | 20EA     | *-2013022-* |
| QTY/BOX | QTY/TRAY | PART NO.    |

|  |           |                  |   |
|--|-----------|------------------|---|
| THIS DRAWING IS A CONTROLLED DOCUMENT. |           | DWN              | / |
| DIMENSIONS:<br>MM                      |           | CHK              | / |
| TOLERANCES UNLESS OTHERWISE SPECIFIED: |           | APVD             | / |
| 0 PLC                                  | $\pm 0.5$ | PRODUCT SPEC     | / |
| 1 PLC                                  | $\pm 0.5$ | APPLICATION SPEC | / |
| 2 PLC                                  | $\pm 0.5$ | WEIGHT           | / |
| 3 PLC                                  | $\pm 0.5$ | CUSTOMER DRAWING | / |
| 4 PLC                                  | $\pm 0.5$ |                  |   |
| ANGLES                                 | $\pm 3'$  |                  |   |
| MATERIAL                               | FINISH    |                  |   |

|                          |           |              |               |
|--------------------------|-----------|--------------|---------------|
| NAME                     |           | DWN          |               |
| DDR3 SODIMM SOCKET       |           | CHK          |               |
| 0.6mm PITCH 204POS       |           | APVD         |               |
| 4mm HEIGHT STANDARD TYPE |           | PRODUCT SPEC |               |
| SIZE                     | CAGE CODE | DRAWING NO   | RESTRICTED TO |
| A3                       | 00779     | C-2013022    | -             |
| SCALE 1:2                |           | SHEET 5 OF 6 | REV C         |



THIS DRAWING IS UNPUBLISHED.

RELEASED FOR PUBLICATION FEB ,2006.

© COPYRIGHT 2006 By -

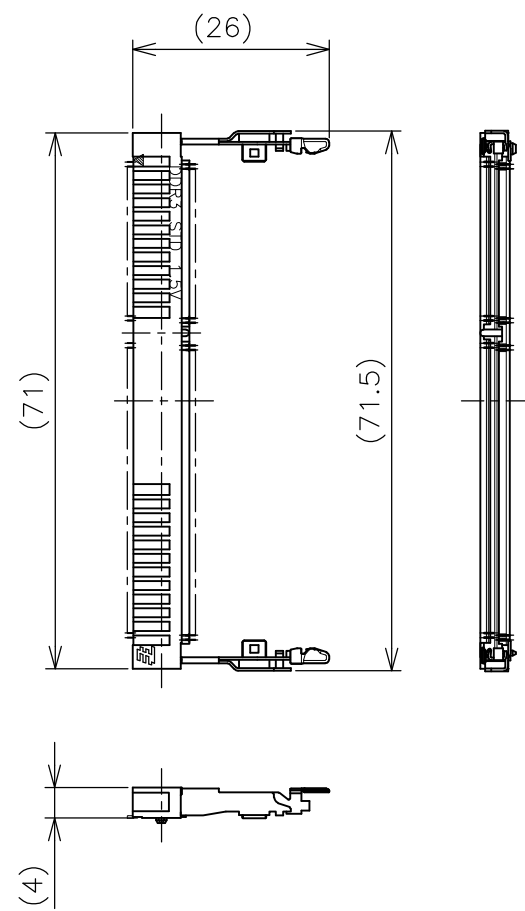
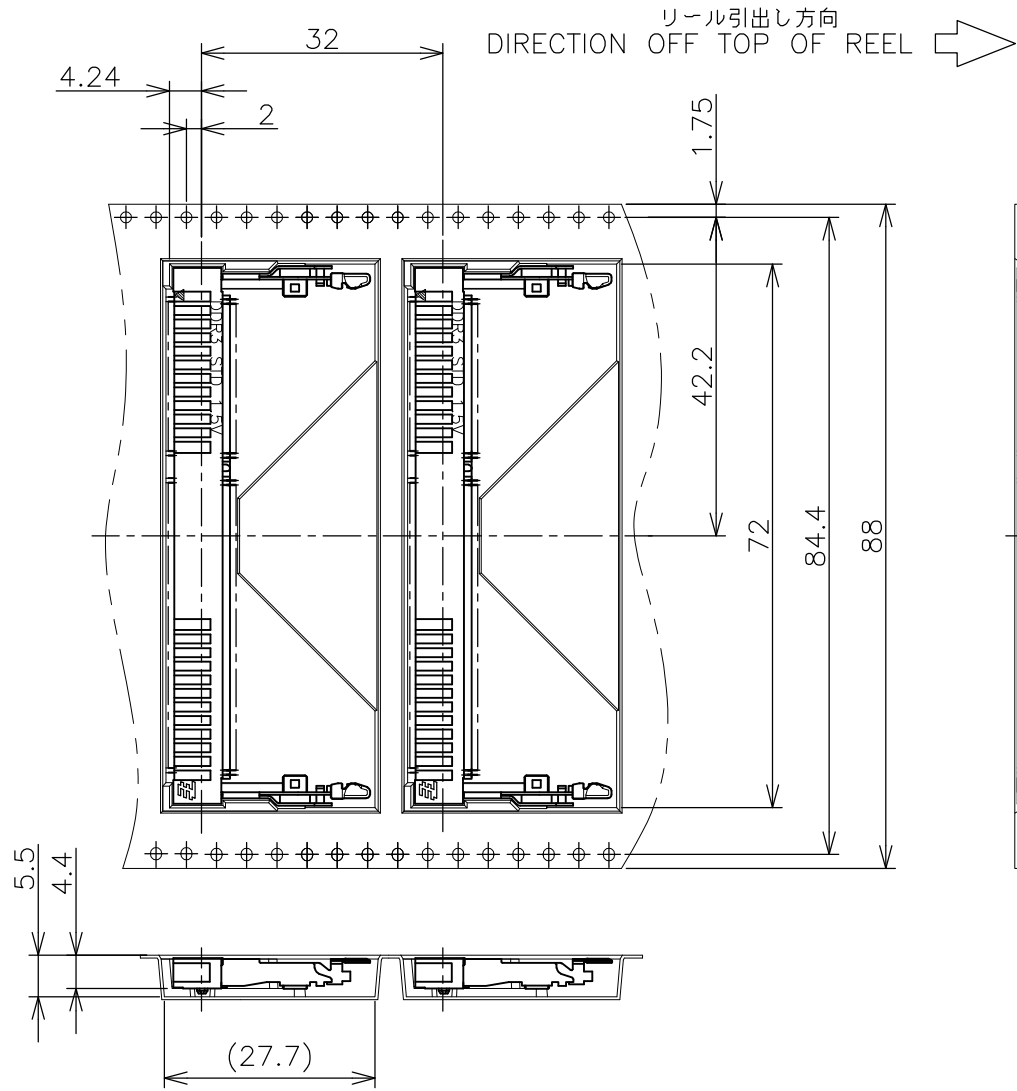
ALL RIGHTS RESERVED.

LOC J

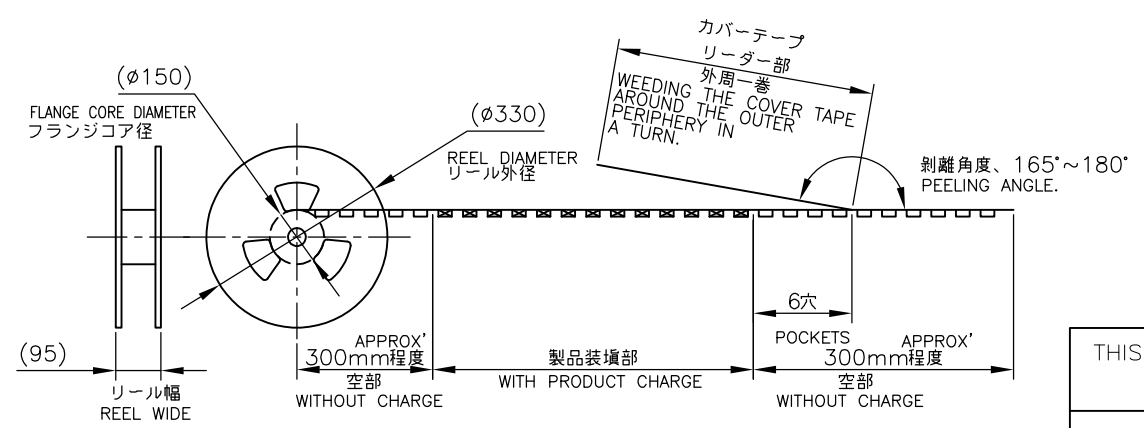
DIST

REVISIONS

| P | LTR | DESCRIPTION | DATE | DWN | APVD |
|---|-----|-------------|------|-----|------|
| - | -   | SEE SHEET 1 | -    | -   | -    |



- (APPLIED TO SHEET 6)
1. THE DIRECTION OF EACH CONNECTOR ON A EMBOSS IS REFERRED TO THIS DRAWING.
  2. GENERAL TOLERANCE:  $\pm 0.5$ ,  $\pm 3^\circ$



FREE SCALE

THIS DRAWING IS A CONTROLLED DOCUMENT.

|                   |  |
|-------------------|--|
| DIMENSIONS:<br>MM | TOLERANCES UNLESS OTHERWISE SPECIFIED: |
|                   | 0 PLC ± 0.5                            |
|                   | 1 PLC ± 0.5                            |
|                   | 2 PLC ± 0.5                            |
|                   | 3 PLC ± 0.5                            |
|                   | 4 PLC ± 0.5                            |
|                   | ANGLES ± 3°                            |
| MATERIAL          | FINISH                                 |

|                  |
|------------------|
| DWN              |
| CHK              |
| APVD             |
| PRODUCT SPEC     |
| APPLICATION SPEC |
| WEIGHT           |
| CUSTOMER DRAWING |

|  |           |              |               |
|--|-----------|--------------|---------------|
| 200EA  |           | *-2013022-*  |               |
| QTY/REEL   |           | PART NO.     |               |
| <b>STE</b> TE Connectivity   |           |              |               |
| NAME<br>DDR3 SODIMM SOCKET<br>0.6mm PITCH 204POS<br>4mm HEIGHT STANDARD TYPE |           |              |               |
| SIZE   | CAGE CODE | DRAWING NO   | RESTRICTED TO |
| A3   | 00779     | C-2013022    | -             |
| SCALE 1:1  |           | SHEET 6 OF 6 | REV C         |