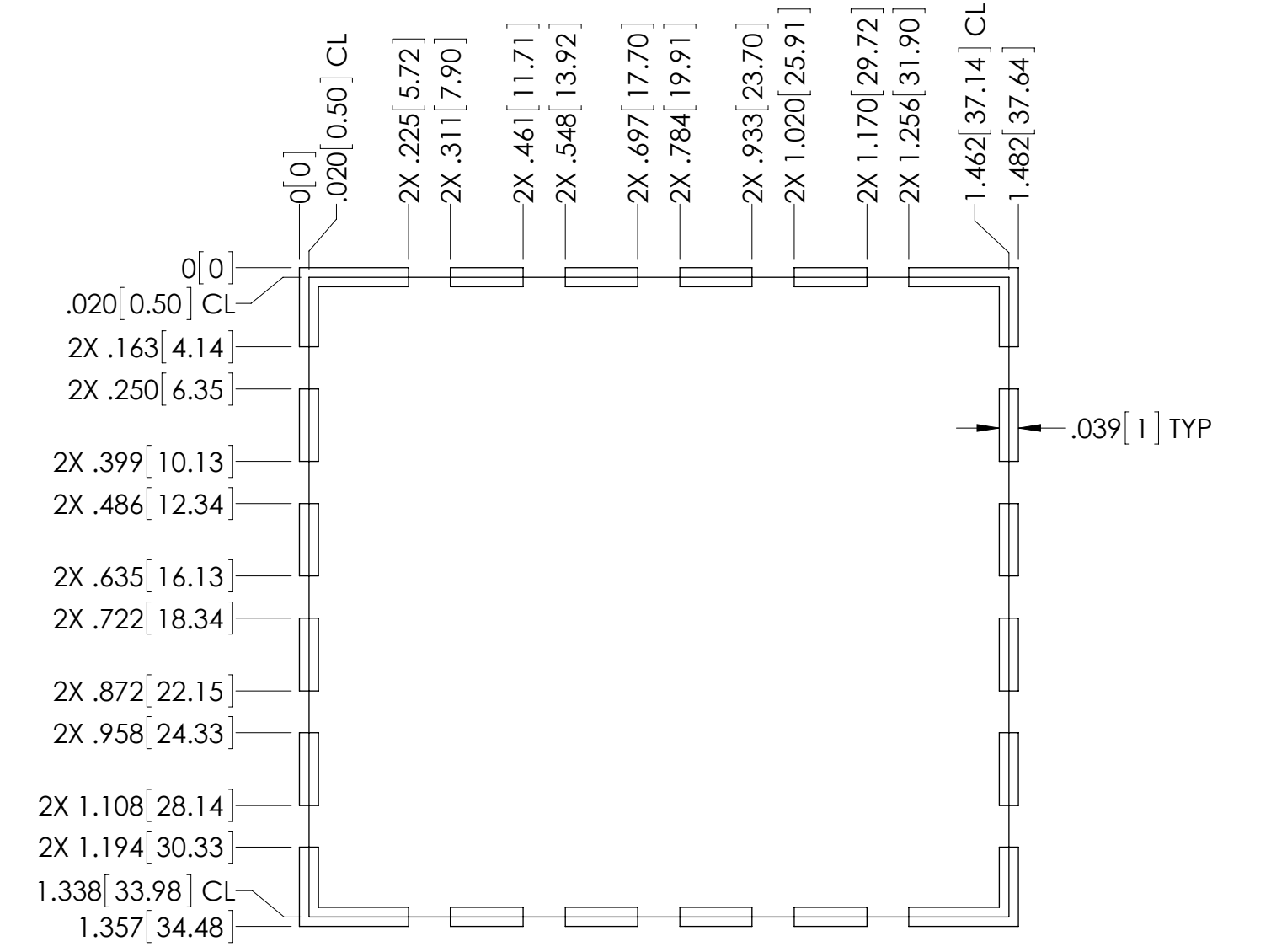
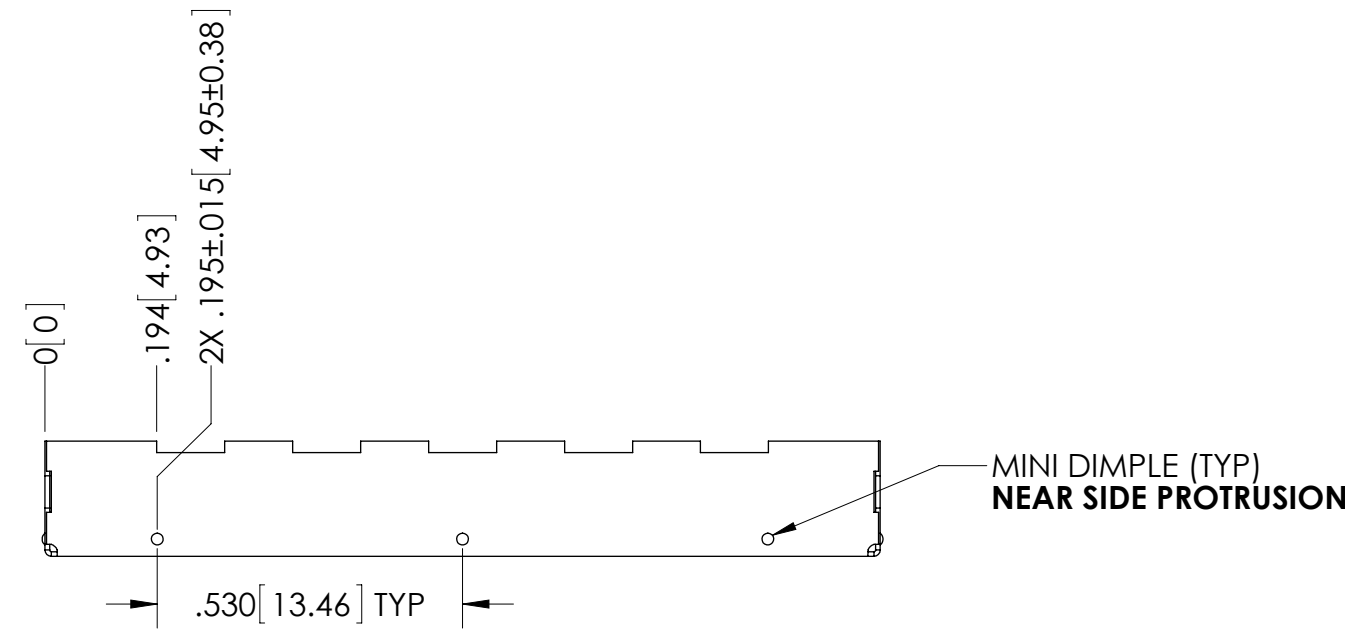
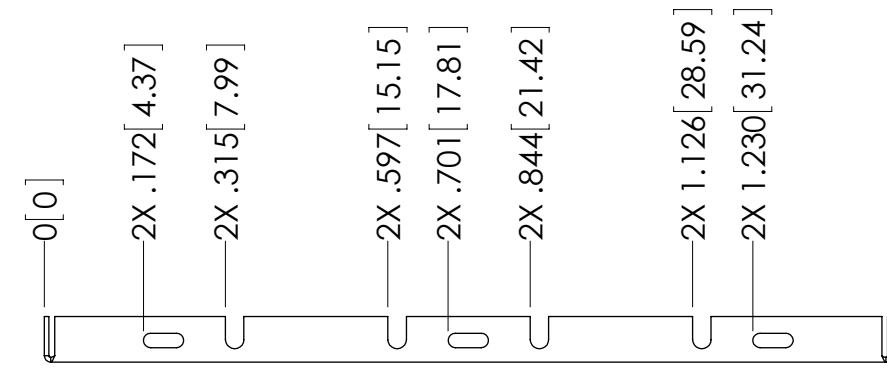
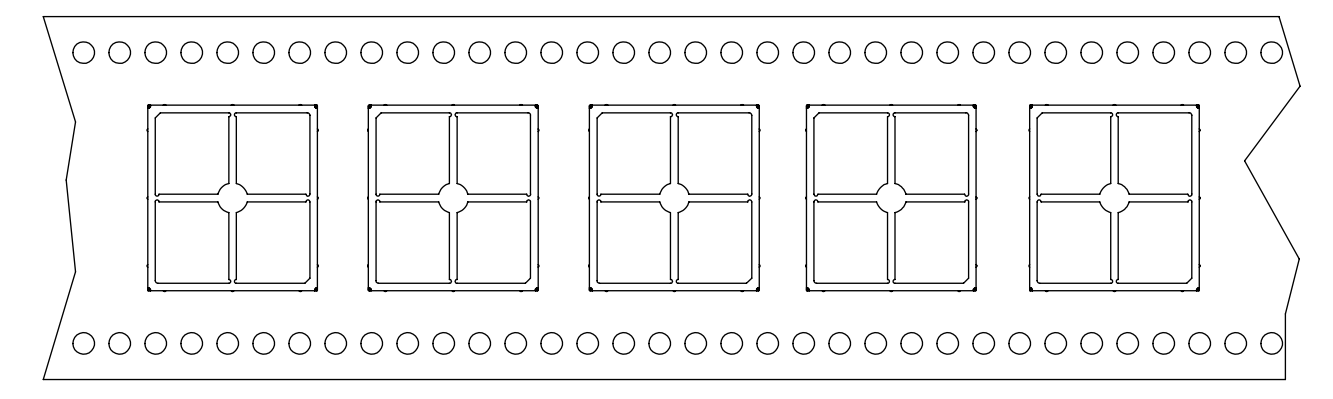
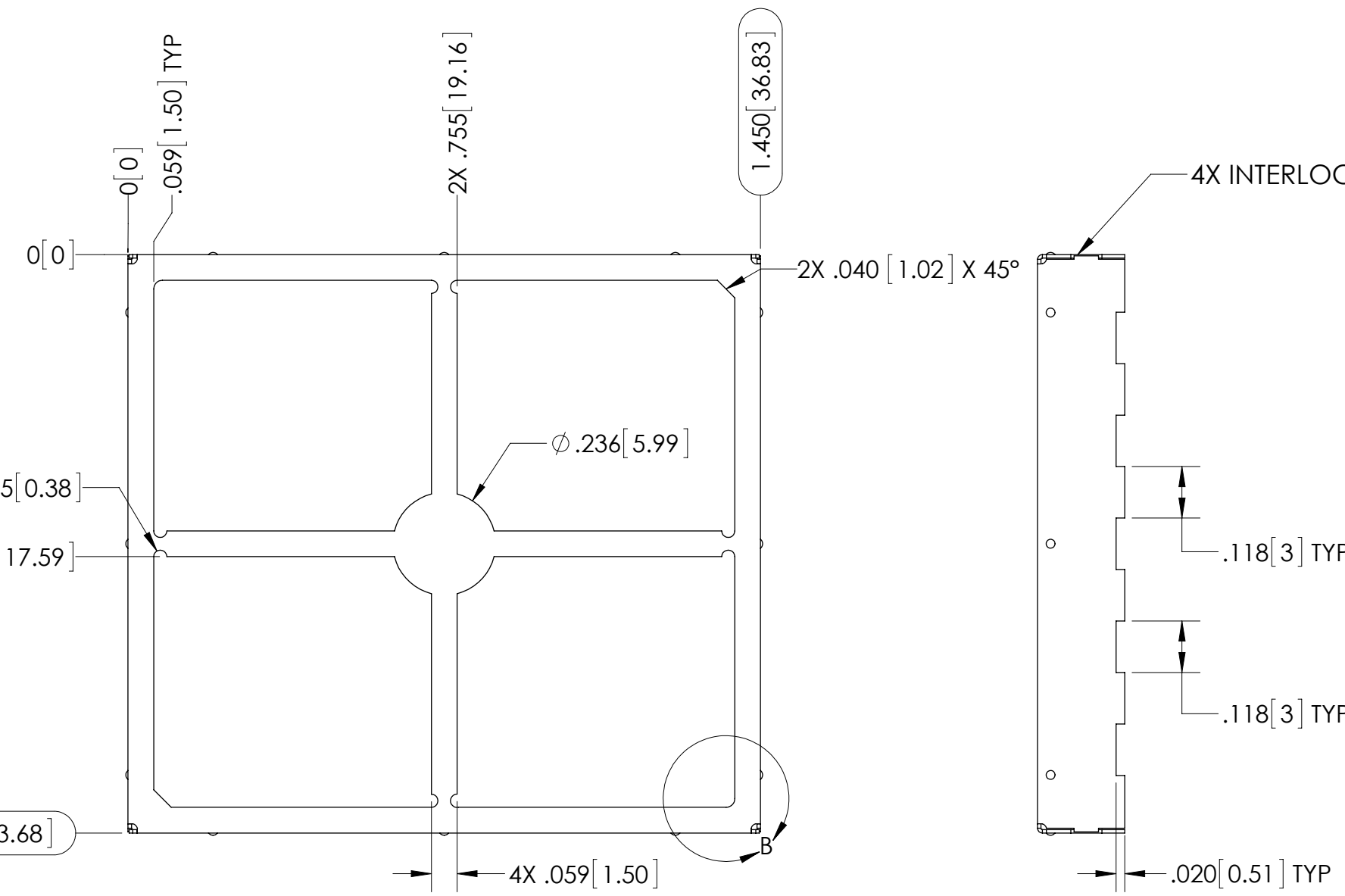
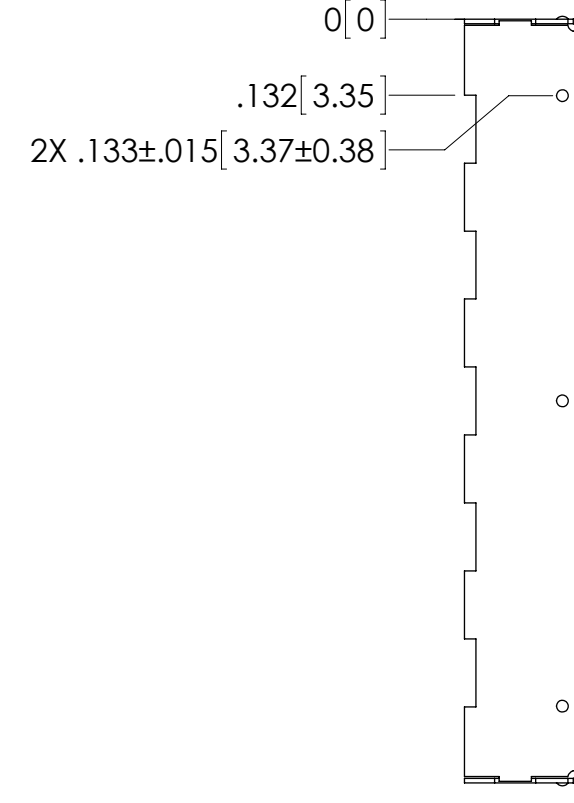
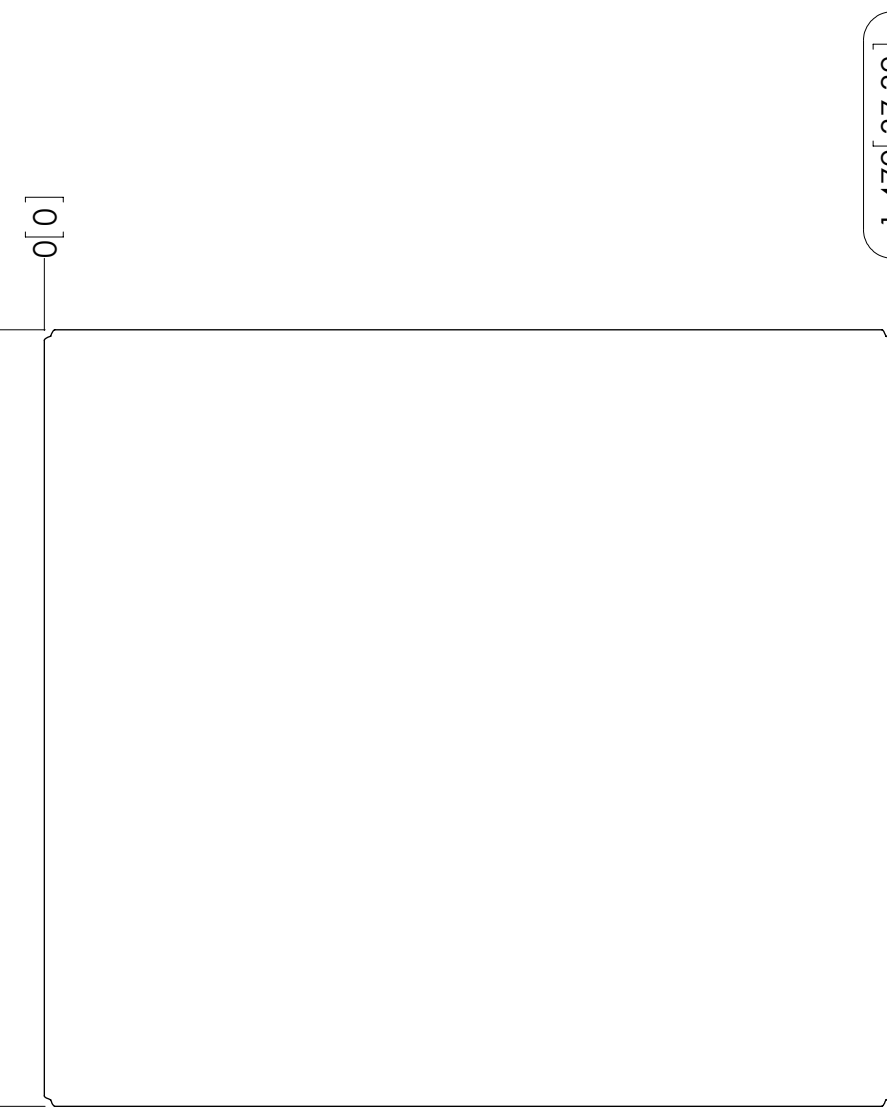


NOTES:  
 1. ASSURE ASSEMBLY CAPABILITY BY MATCHING WITH MATING PART  
 2. DIMENSIONS IN [ ] ARE IN MILLIMETERS

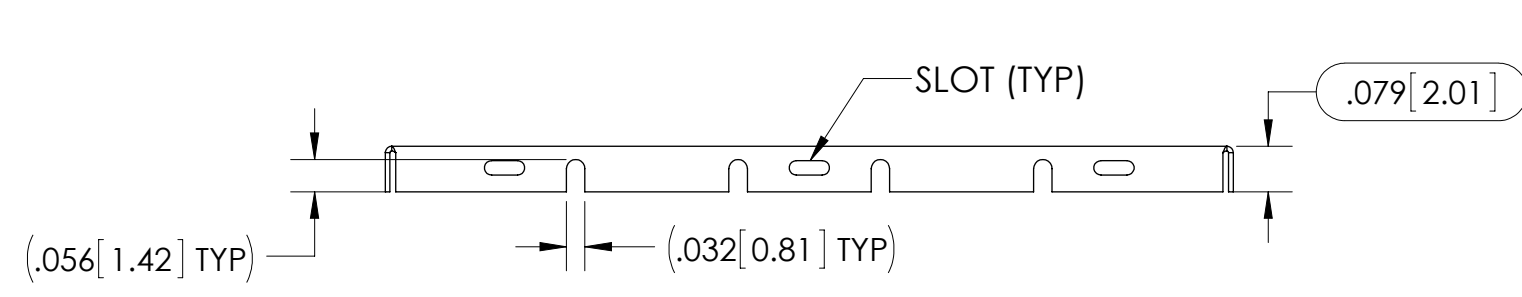


TRACE PATTERN

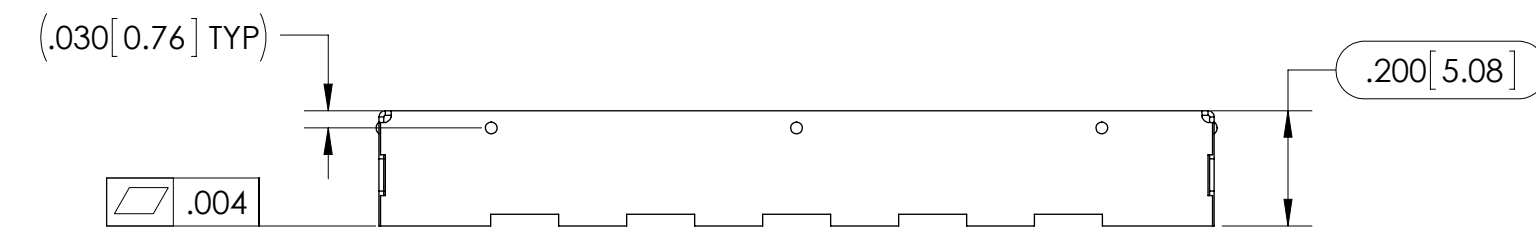


CARRIER TAPE

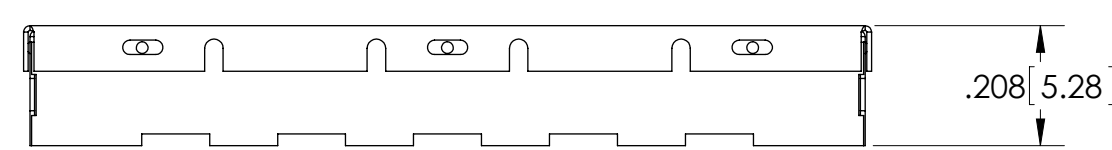
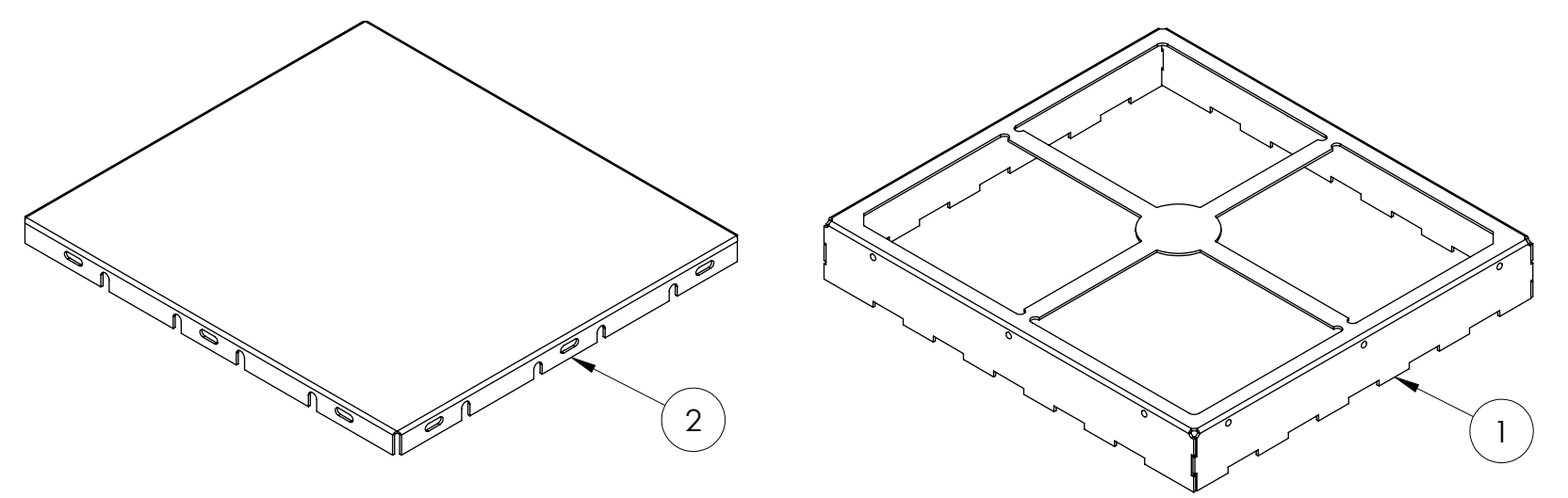
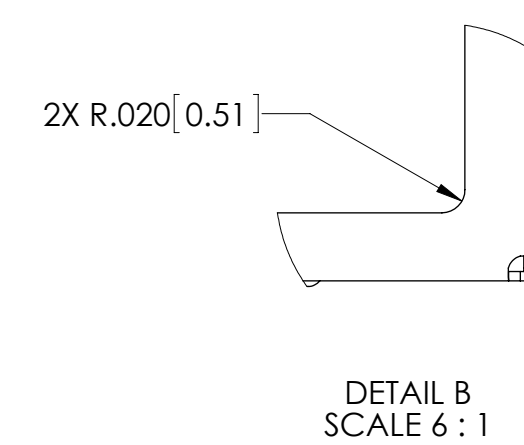
CARRIER TAPE SPECIFICATIONS						
PART NUMBER	DESCRIPTION	OVERALL DIMENSIONS	OVERALL HEIGHT	CARRIER TAPE WIDTH	CARRIER TAPE PITCH	PARTS PER REEL
SMS-406F	FRAME	1.450 X 1.326 [36.83 X 33.68]	.200 [5.08]	56 mm	40 mm	300
SMS-406C	COVER	1.472 X 1.348 [37.39 X 34.24]	.079 [2.01]	N/A	N/A	BULK PACK



FORMED COVER



FORMED FRAME



ASSEMBLY

ITEM NO.	PART NUMBER	DESCRIPTION	QTY.
1	SMS-406F	FRAME	1
2	SMS-406C	COVER	1

UNLESS OTHERWISE SPECIFIED:  
 - ALL DIMENSIONS ARE IN INCHES  
 - PART SHALL BE FREE OF BURRS AND SHARP EDGES  
 - ALL DIMENSIONS SHOWN APPLY AFTER PLATING AND COATINGS  
 - RoHS COMPLIANT PER EU DIRECTIVE 2011/65/EU  
 - POI = POINT OF INTERSECTION

THIRD ANGLE PROJECTION

ANGLES +/- 2°

DRAWN BY: JG  
 APPROVED BY: Nick Demyanovich  
 DATE: 2015-02-24

MATERIAL: MATTE TIN  
 0.0008" PRE TIN STEEL

FRS: LEADER TECH a HEICO company  
 The Leading Edge in PIV Mounting Technology

TITLE: SURFACE MOUNT SHIELD

SCALE: 2:1  
 DWG. NO.: D  
 SHEET: 1 OF 1

THIS DOCUMENT CONTAINS PROPRIETARY INFORMATION OWNED BY LEADERTECH OR DEVELOPED AT ITS OWN PRIVATE EXPENSE AND MAY NOT BE USED, REPRODUCED OR DISCLOSED IN WHOLE OR IN PART FOR ANY PURPOSE INCLUDING DESIGN, MANUFACTURE OR PROCUREMENT WITHOUT THE WRITTEN PERMISSION OF LEADERTECH. LEADERTECH DOES NOT GUARANTEE OR WARRANT THE PERFORMANCE CHARACTERISTICS.