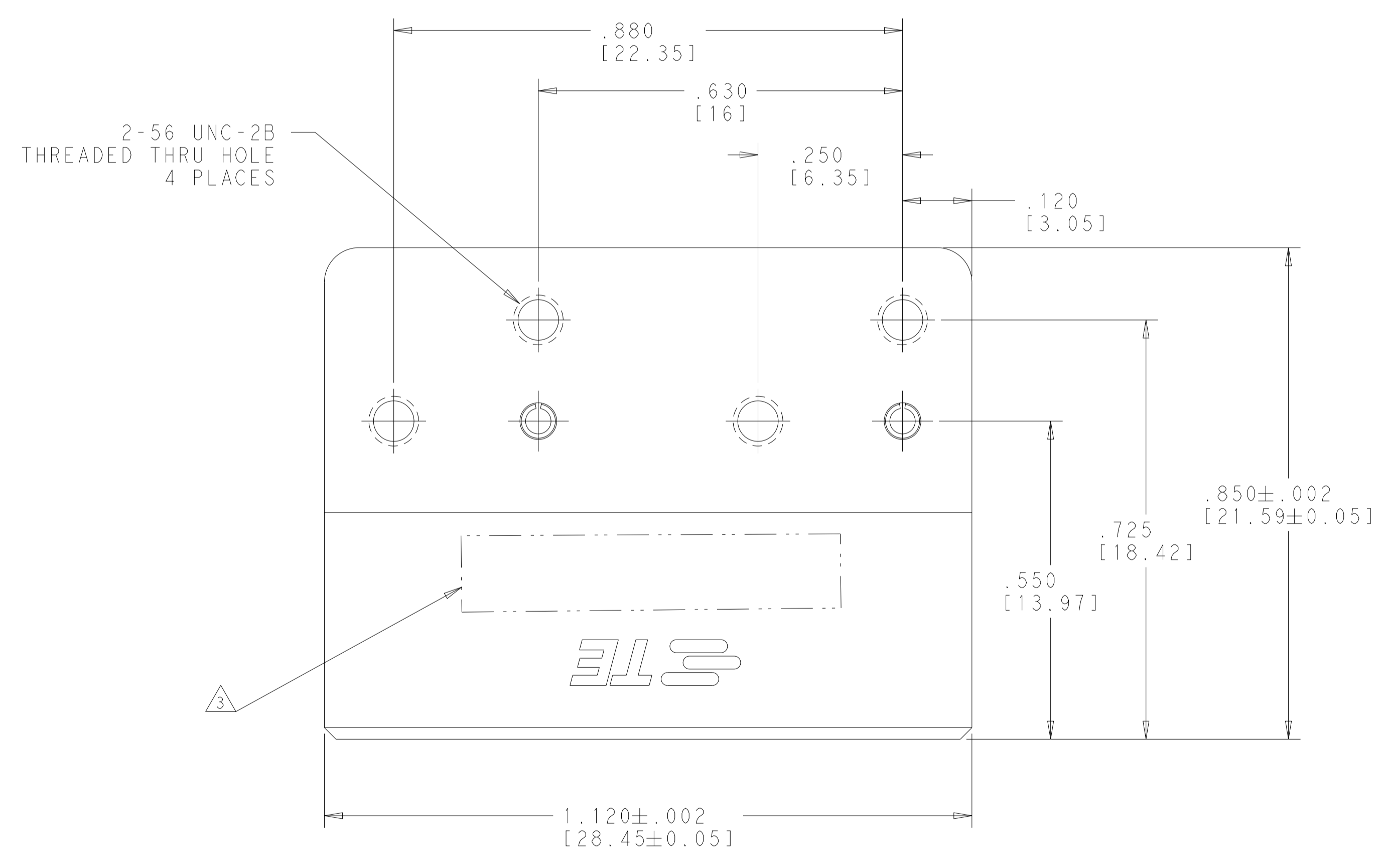
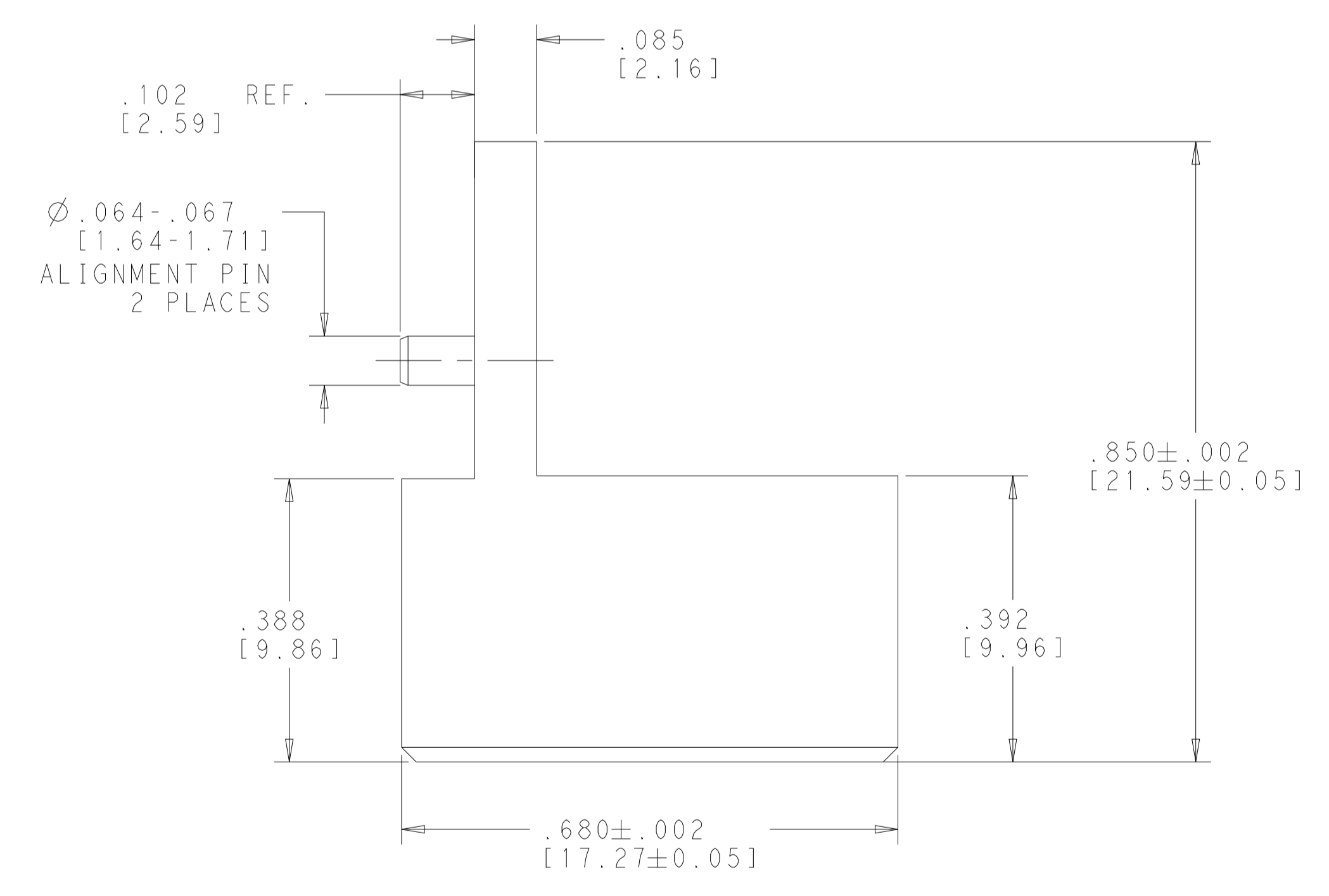
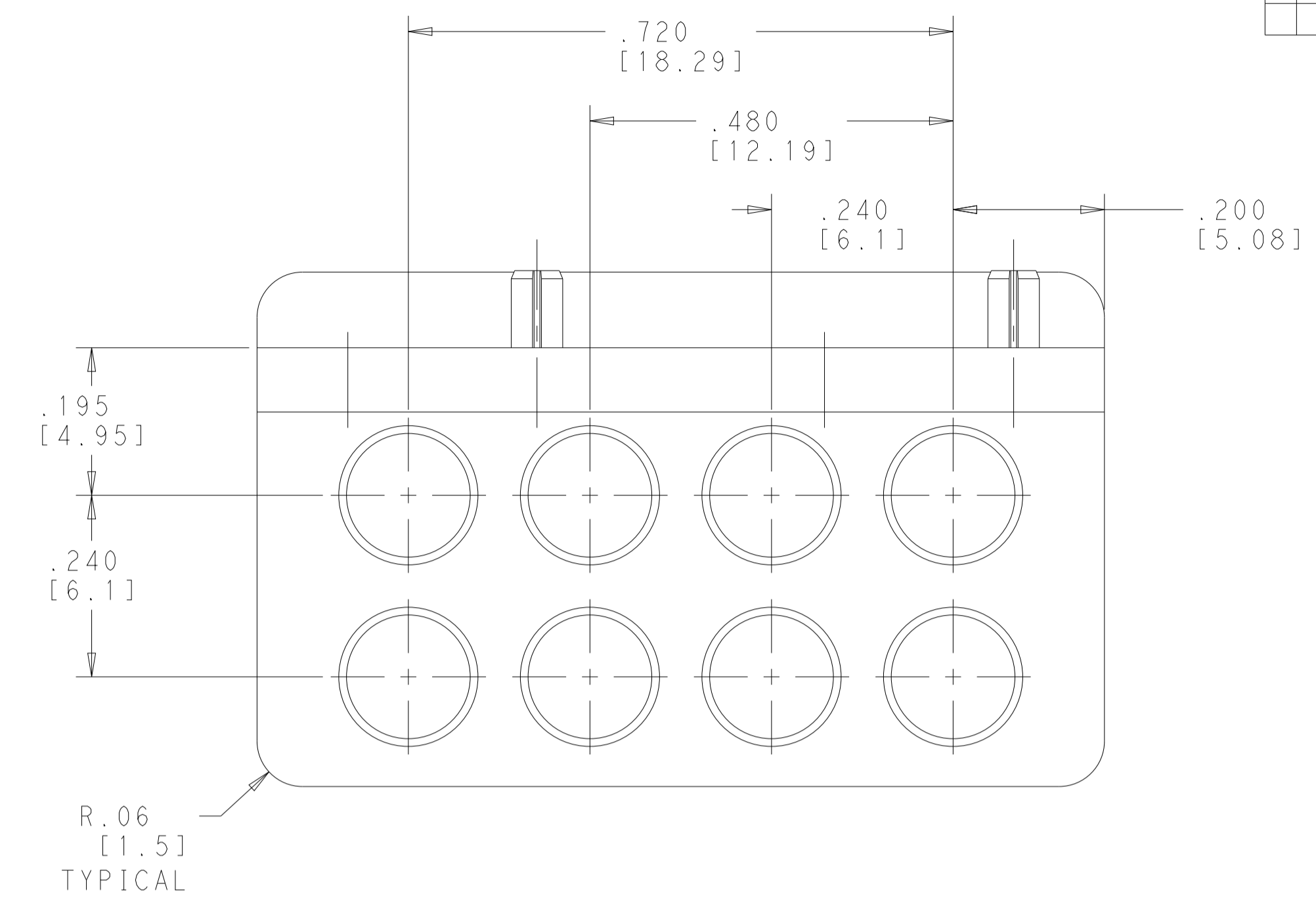
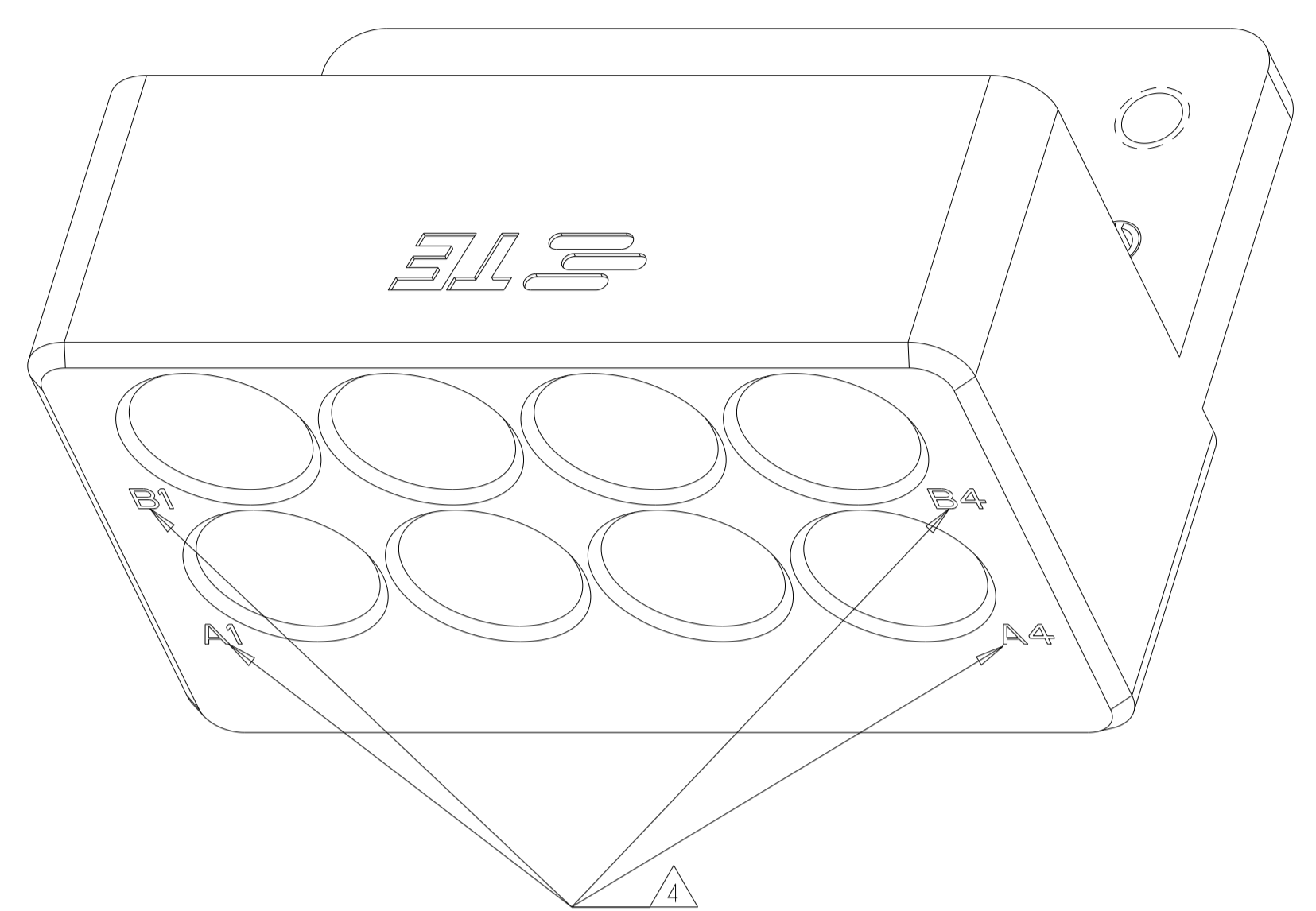


REVISIONS				
P	LTN	DESCRIPTION	DATE	APVD
A		RELEASED	15NOV2021	KM CG



- 1 MATERIAL:
MODULE BODY - TYPE 303 STAINLESS STEEL.
SPRING PINS - WORK HARDENED NICKEL STAINLESS STEEL
- 2 FINISH:
MODULE BODY - PASSIVATED
SPRING PINS - PASSIVATED
- 3 PART MARKING:
TE CONNECTIVITY PART NUMBER, CAGE CODE AND DATE CODE
- 4 CAVITY IDENTIFICATION MARKING

2332708-1
PART NO.

THIS DRAWING IS A CONTROLLED DOCUMENT.		OWN: K. MILLER 13JUN2018	 TE Connectivity
DIMENSIONS: [INCHES/mm]		CHK: C. GINGRICH 22JAN2019	
TOLERANCES UNLESS OTHERWISE SPECIFIED:		APVD: -	NAME: MODULE, 8 POSITION, SMPM, SNAP-IN, DAUGHTERCARD
0 PLC ±.1	1 PLC ±.01	PRODUCT SPEC	APPLICATION SPEC
2 PLC ±.005	ANGLES ±1.0°	FINISH	SIZE: CAGE CODE: DRAWING NO: RESTRICTED TO
MATERIAL: 1	FINISH: 2	WEIGHT: 1.045 oz	A100779C=2332708
CUSTOMER DRAWING		SCALE: 6:1	SHEET 1 OF 1 REV A