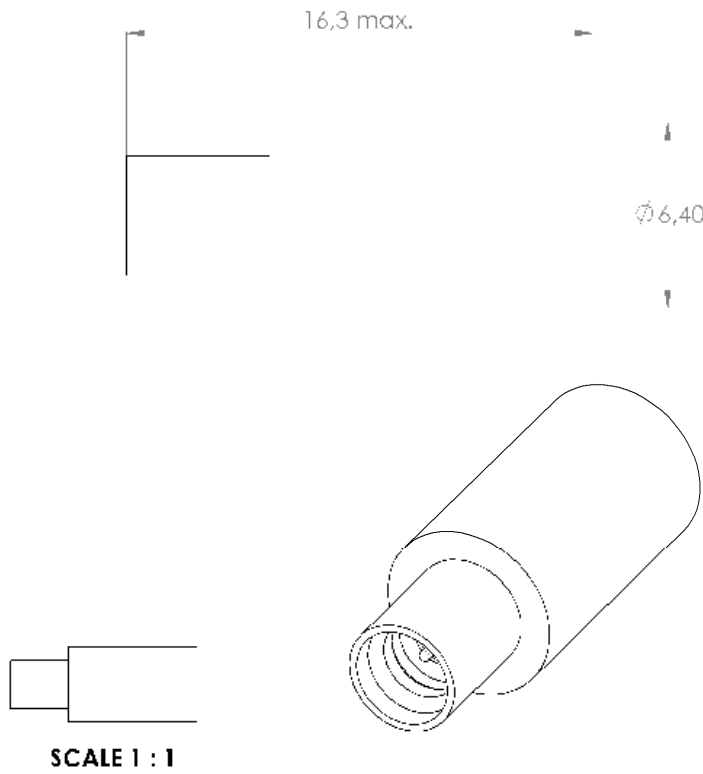
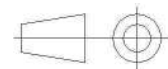


PAGE 1/2	ISSUE 27-01-20B	SERIES TERMINATION	PART NUMBER R404260000
----------	-----------------	------------------------------	-------------------------------



All dimensions are in mm. Tolerances according ISO 2768 m-H



COMPONENTS	MATERIALS	PLATING (µm)
Body	STAINLESS STEEL	PASSIVATED
Center contact	BERYLLIUM COPPER	GOLD 1.3 OVER NICKEL 1.3
Outer contact		
Insulator	PTFE	
Gasket		
Substrate	ALUMINA	
Resistor	THIN FILM	
Others parts		

PAGE 2/2	ISSUE 27-01-20B	SERIES TERMINATION	PART NUMBER R404260000
----------	-----------------	-----------------------	-------------------------------

ELECTRICAL CHARACTERISTICS

Frequency (GHz)	DC - 18	18 - 26.5	26.5 - 40
V.S.W.R (≤)	1.30	1.35	1.70

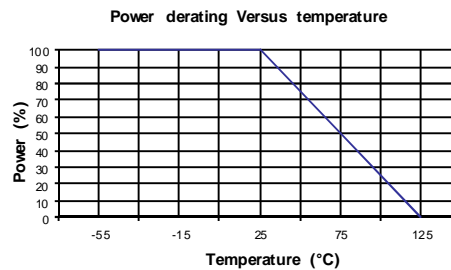
Operating Frequency Range	DC - 40	GHz
Impedance	50	Ω
DC Resistance	50	Ω ± 5%
Peak power at 25°C (1μs, 1%)	100	W
Average power at 25°C	0.5	W (Free Air Cooled)
		W (Conduction Cooled)

MECHANICAL CHARACTERISTICS

Connectors	SMP	Male	DESC A 14933 Rev C
Weight	2,8	g	

ENVIRONMENTAL CHARACTERISTICS

Operating temperature range	-55/+125	°C
Storage temperature range	-55/+125	°C



SPECIFICATION

OTHER CHARACTERISTICS