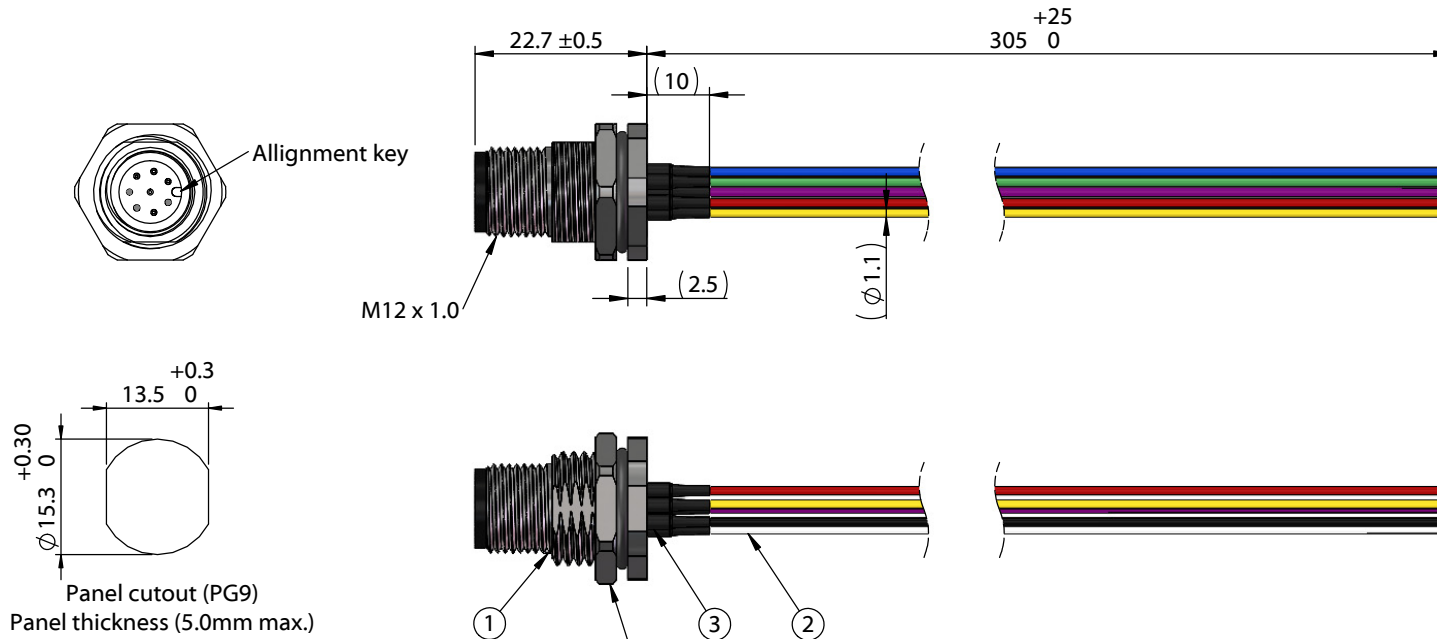


ITEM NO.	PART NUMBER	DESCRIPTION	QTY.	COMPONENT NOTES
1	54-00198	Connector, 8 pin M12 A-code plug, 12xL24mm, gold plated, panel mount, solder cup, IP67	1	nut and o-ring included
2	Wire	Wire, hook-up, TS, 24 AWG, UL 11028, 600V, 105C, 1.1 mm, mPPE	8	color: red, black, white, yellow, blue, green, orange, purple
3	Heat shrink	Heat shrink, UL, black	8	covers solder joints



Install from inside the panel, attach nut and tighten from the outside.

Wiring Diagram	
54-00198	wire color (P/N)
1	red (30-01762)
2	yellow (30-01765)
3	black (30-01763)
4	white (30-01764)
5	orange (30-01768)
6	blue (30-01766)
7	green (30-01767)
8	purple (30-01769)

Notes:
Cable rated for 30 V, 2 A
Temperature: -40 ~ 105 °C

IP67 waterproof rating when mated with corresponding (IP67) connector and installed properly in panel

Cables individually packaged in PE bag
Functionally equivalent components may be substituted

Revision:	Date:	Description:	Prepared:	Notes:	<h1>TENSILITY</h1> <p>tel 1.541.323.3228 800 877.670.7118 fax 1.541.323.4202 web tensility.com</p>
A	11/7/2022	Initial release	PB Digitally signed by PB Date: 2022.11.10 11:29:09 -08'00'	RoHS compliant	
			Verified: MP Digitally signed by MP Date: 2022.11.28 15:36:49 -08'00'	Function test: no open, no short circuit, no intermittent	
			Dimensions are in millimeters. Tolerances: X: ± 0.5 mm X.X: ± 0.3 mm X.XX: ± 0.05 mm	Description: Cable, 305 mm, M12 8C plug panel mount 54-00198 to blunt cut, 24 AWG, UL 11028 hook-up wire	
				Size: A	Part number: 10-05268
				Scale: 1:1	Sheet 1 of 1