

Type ACBP-12-N / ACBP-24-N

Auto Reset Circuit Breaker

Automotive Type I

Plastic Without Bracket



www.optifuse.com (619) 593-5050

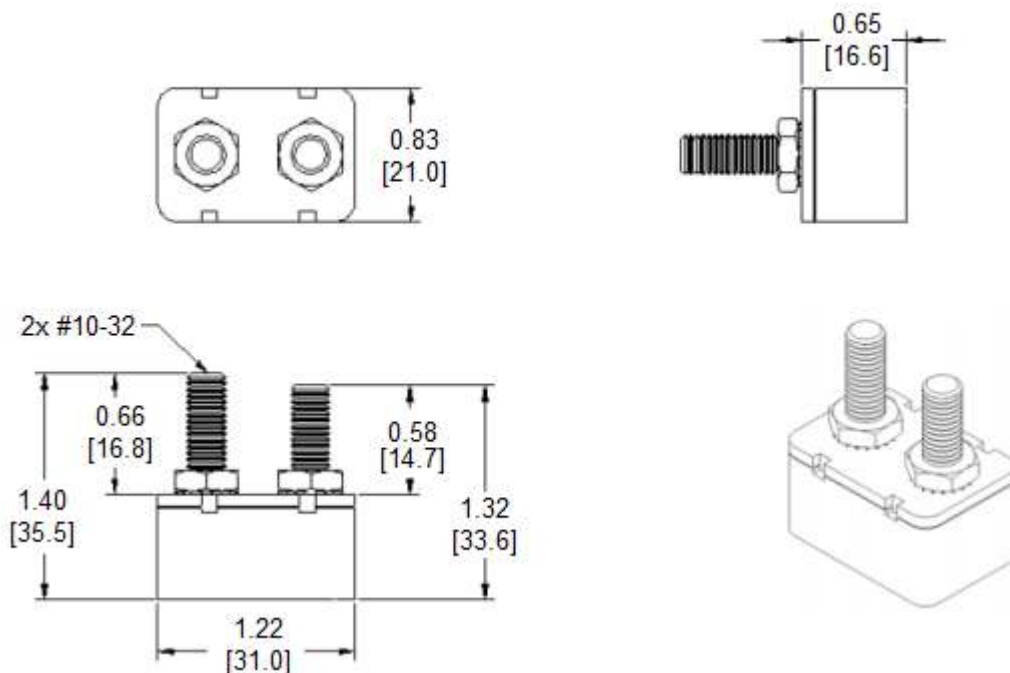
Specifications:

Auto Reset Type Circuit Breaker
 Voltage: 12V or 24V
 Amperage: 10A, 15A, 20A, 25A, 30A, 35A, 40A, 50A
 IP Rating: 63
 Terminals: Battery – Copper Plate (0.58”), Auxiliary – Zinc Plate (0.66”)
 Conforms to American National Standard SAE J553
 Body: PBT
 Operating Temperature: -10° F ~ 150° F
 Storage Temperature: -20° F ~ 200° F

Current Rating:

Rating	Open Time
100% ± 1.5%	> 30 Min
135% ± 1.5%	< 30 Min
200% ± 1.5%	< 1 Min

Mechanical Dimensions: Inches [mm]



Warning:



-Operation beyond the specified maximum ratings or improper use may result in damage and possible electrical arcing and/or flame.
 -Device are intended for occasional overcurrent protection. Application for repeated overcurrent condition and/or prolonged trip are not anticipated.
 -Avoid contact of device with chemical solvent. Prolonged contact will damage the device performance.