

MATERIALS AND FINISHES

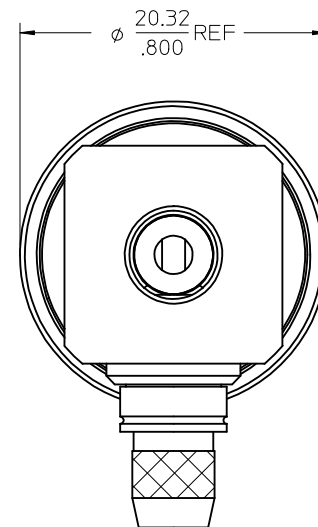
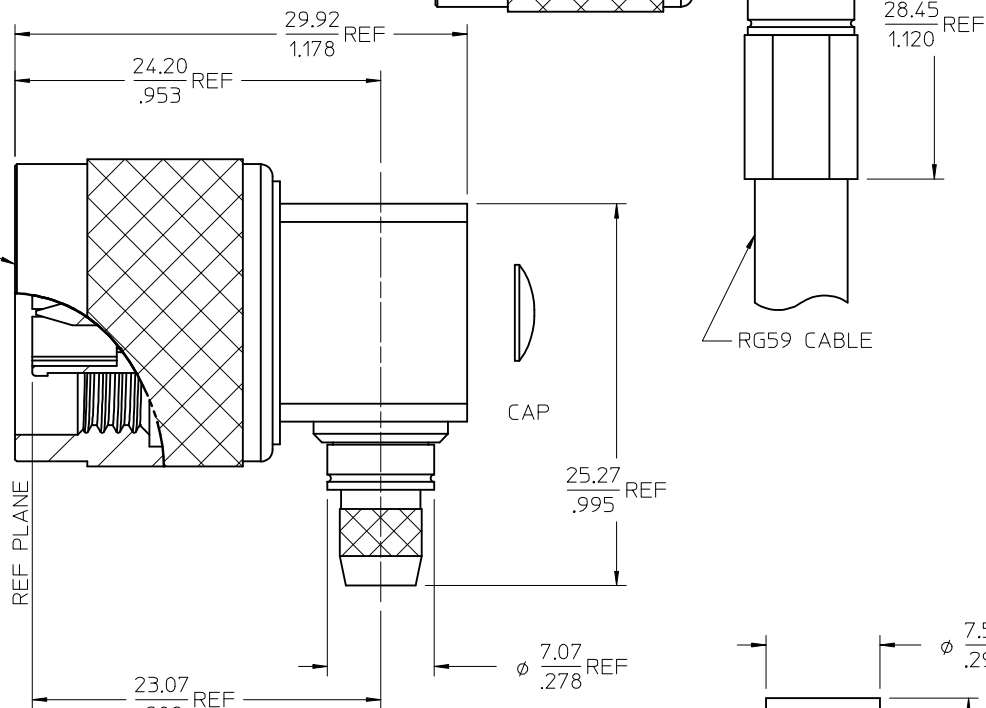
BODY, COUPLING NUT, CAP, OUTER CONTACT BRASS  
PLATED NICKEL

CENTER CONTACT BRASS  
PLATED GOLD

INSULATOR TEFLON

GASKET SILICONE RUBBER

N PLUG  
INTERFACE



PART # 73276-0210

PS-73598-0032	ELECTRO/MECH PERFORM.
AS-89675-0800	CABLE INSTRUCTION
ES-73599-000-005	INTERFACE
SPECIFICATION	DESCRIPTION

CHG: NEW RELEASE

EC NO: URF2006-0538  
 DRWN: FLAHERTY 2006/05/31  
 CHKD: SSHAH 2006/05/31  
 APPR: JWIENER 2006/05/31

QUALITY SYMBOLS  
 ▽=0  
 ▽=0

GENERAL TOLERANCES (UNLESS SPECIFIED)

	mm	INCH
4 PLACES	± .005	± .0005
3 PLACES	± .005	± .0005
2 PLACES	± .005	± .0005
1 PLACE	± .005	± .0005

ANGULAR ± 2°

DRAFT WHERE APPLICABLE  
MUST REMAIN  
WITHIN DIMENSIONS

DIMENSION STYLE  
MM/IN

DRAWN BY DATE  
TEF 1999/02/15

CHECKED BY DATE  
DHG 1999/02/15

APPROVED BY DATE  
GMH 1999/02/15

MATERIAL NO.  
732760210

SIZE  
C

SCALE  
DESIGN UNITS  
METRIC

THIRD ANGLE PROJECTION

TITLE  
N PLUG RA RG59 CRIMP  
EWR-3116 50 OHM  
N-PC/RA

MOLEX INCORPORATED

DOCUMENT NO.  
SD-73276-021

SHEET NO.  
1 OF 1