

MATERIALS AND FINISHES

BODY ZINC ALLOY  
PLATED NICKEL 70MIN. MICROINCH  $\Delta$

CENTER CONTACT PHOSPHOR BRONZE  
PLATED GOLD 1MIN. MICROINCH  
/TIN 150MIN. MICROINCH  $\Delta$

INSULATOR POLYPROPYLENE

HOUSING PBT  
COLOR WHITE

MOUNTING POST BRASS  
PLATED TIN 150MIN. MICROINCH  $\Delta$

PACKAGING: TRAY

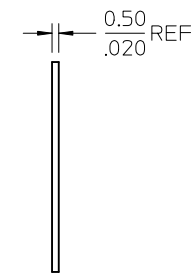
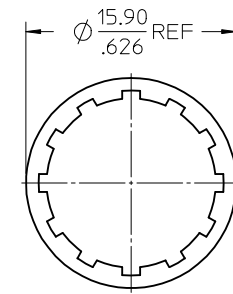
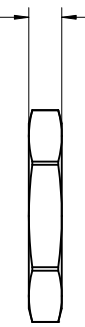
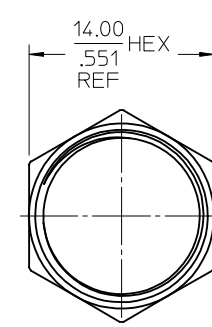
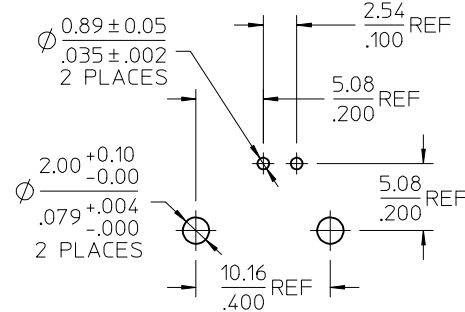
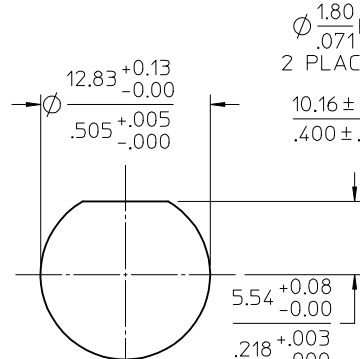
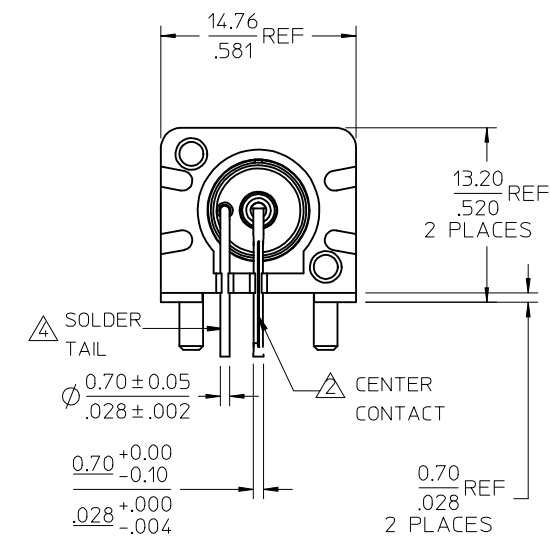
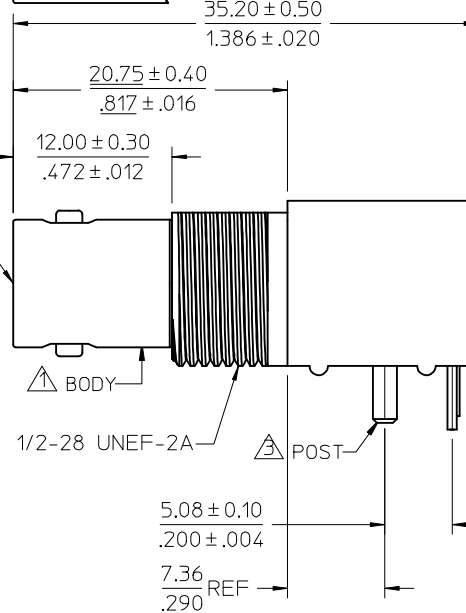
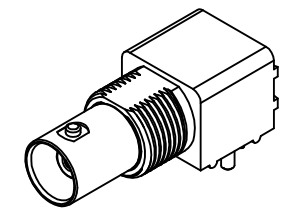
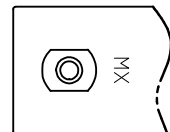
SOLDER TAIL STEEL WIRE  
PLATED TIN 150MIN. MICROINCH  $\Delta$

LOCKWASHER PHOSPHOR BRONZE  
PLATED NICKEL

JAM NUT BRASS  
PLATED NICKEL

BNC JACK INTERFACE  
ES-73599-0000

3.60 ± 0.30  
.142 ± .012  
2 PLACES



RECOMMENDED MOUNTING HOLE  
MAXIMUM PANEL THICKNESS: 5.5(.217)  
RECOMMENDED MOUNTING TORQUE:  
0.56 N-m(5 IN-LBS)

RECOMMENDED PCB LAYOUT

JAM NUT

LOCKWASHER

PART # 73137-5013

PS-73598-0050	ELECTRO/MECH PERFORM.
SPECIFICATION	DESCRIPTION

CHG ADD PLATING THICKNESS	EC NO: URF2009-0391	2009/02/10
	DRWNS:CHOU	2009/02/12
H2	CHKD:	2009/02/12
	APPR:MHUANG	2009/02/12

QUALITY SYMBOLS	GENERAL TOLERANCES (UNLESS SPECIFIED)
$\nabla=0$	mm INCH
$\nabla=0$	4 PLACES ± --- ± ---
	3 PLACES ± --- ± ---
	2 PLACES ± --- ± ---
	1 PLACE ± --- ± ---
	ANGULAR ± 2 °

DIMENSION STYLE	SCALE	DESIGN UNITS	THIRD ANGLE PROJECTION
MM/IN		METRIC	
DRAWN BY	DATE	TITLE	
IRIS WANG	1991/01/21	BNC JACK, R/A, PCB	
CHECKED BY	DATE	50 OHMS, EWR-3635	
CHRIS WANG	1995/10/18	BNC-J/BLK/PCB	
APPROVED BY	DATE	MATERIAL NO.	
R FIELDS	1999/10/22	731375013	
DRAFT WHERE APPLICABLE MUST REMAIN WITHIN DIMENSIONS		DOCUMENT NO.	SHEET NO.
		SD-73137-5013	1 OF 1

MATERIAL NO.		DOCUMENT NO.		SHEET NO.	
731375013		SD-73137-5013		1 OF 1	
THIS DRAWING CONTAINS INFORMATION THAT IS PROPRIETARY TO MOLEX INCORPORATED AND SHOULD NOT BE USED WITHOUT WRITTEN PERMISSION					