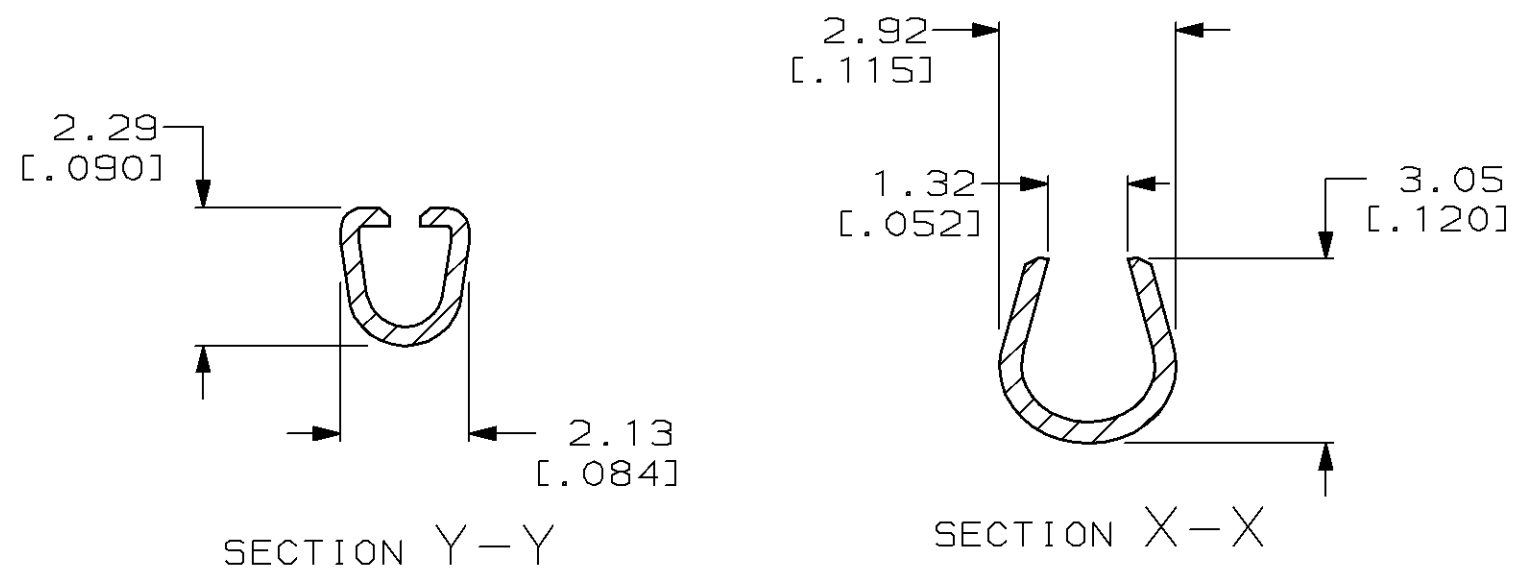
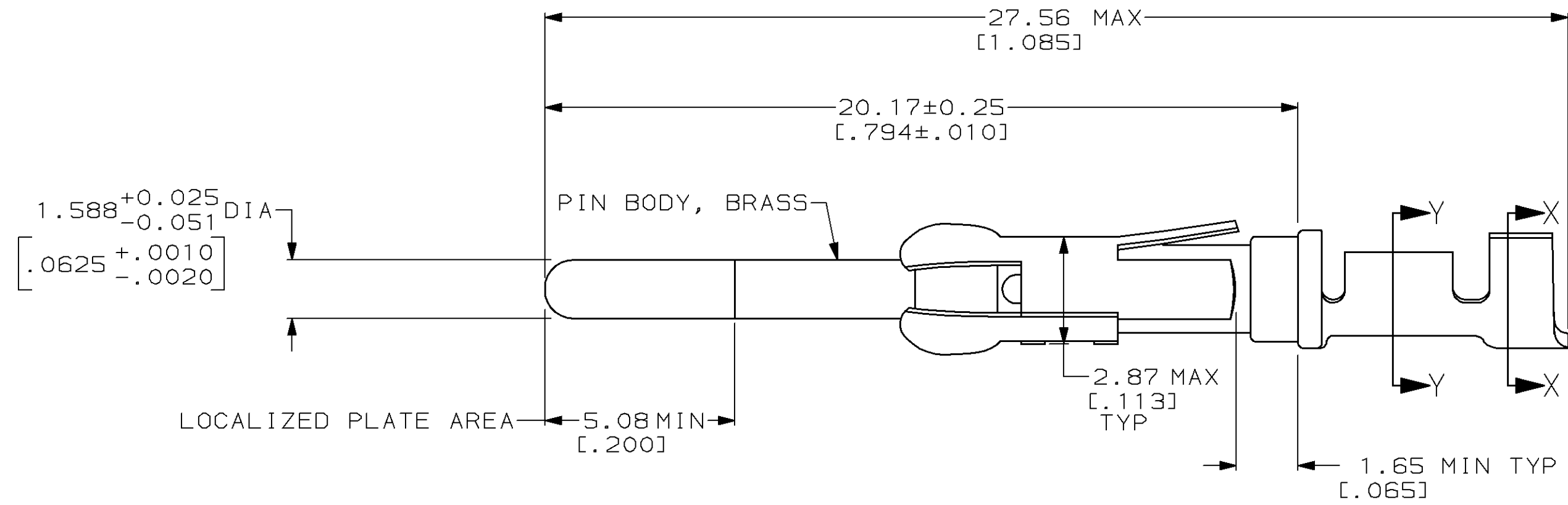
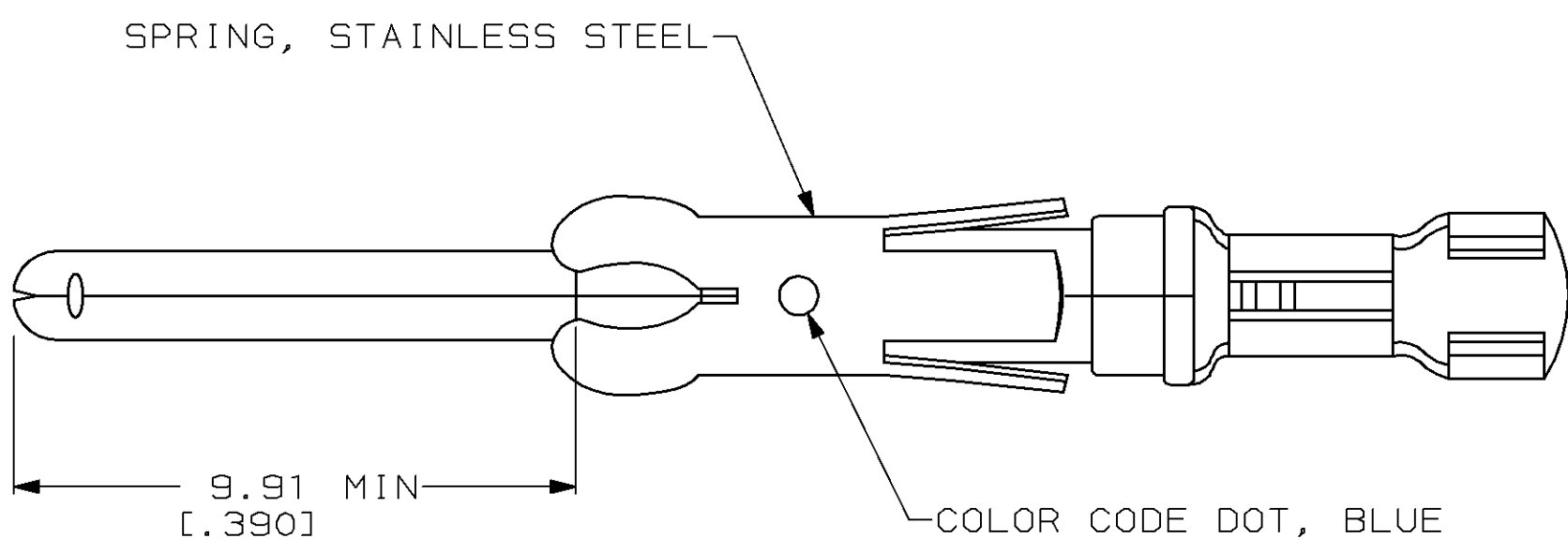


LOC	DIST	P	F	ZONE	LTR	REVISIONS	DATE	APPD
FT	47				H	REV & REDRAWN PER ECN BD3865	9-27-90	AB
					J	ADDED -3 PER NPR 4692	04/15/93	GS
					K	REV PER EC 0020-745-94	07/06/94	GS
					L	REV PER EC 0320-133-97	7-23-97	PB



1. WIRE RANGE 18-16 AWG.

SMALL PACK	66180-3
STANDARD	66180-1
PACKAGING TYPE	PART NO

DO NOT SCALE PRINT. UNLESS SPECIFIED DIMENSIONS IN mm [INCHES] TOLERANCES ON : 2 PLC DEC ±0.13 [.005] 3 PLC DEC ± - ANGLES ± -	DR 9-27-90 H MOLL	AMP Incorporated Harrisburg, PA 17105-3608
	CHK 12-15-90 J. McCLINTON	
MATERIAL  SEE CALL OUT	APPD 12-10-90 A. BOULLIANNE	NAME
	APPD 12-10-90 A. BOULLIANNE	PIN ASSEMBLY, LOOSE PIECE, TYPE III+
FINISH PIN BODY: 0.76µm [.000030] MIN GOLD IN LOCALIZE PLATE AREA, 0.25µm [.000010] MIN GOLD ON REMAINDER OVER 1.27µm [.000050] MIN NICKEL	PRODUCT SPEC -	SIZE
	APPLICATION SPEC -	CAGE CODE 00779
WEIGHT -	SCALE 8:1	DRAWING NO 66180
		SHEET 1 OF 1