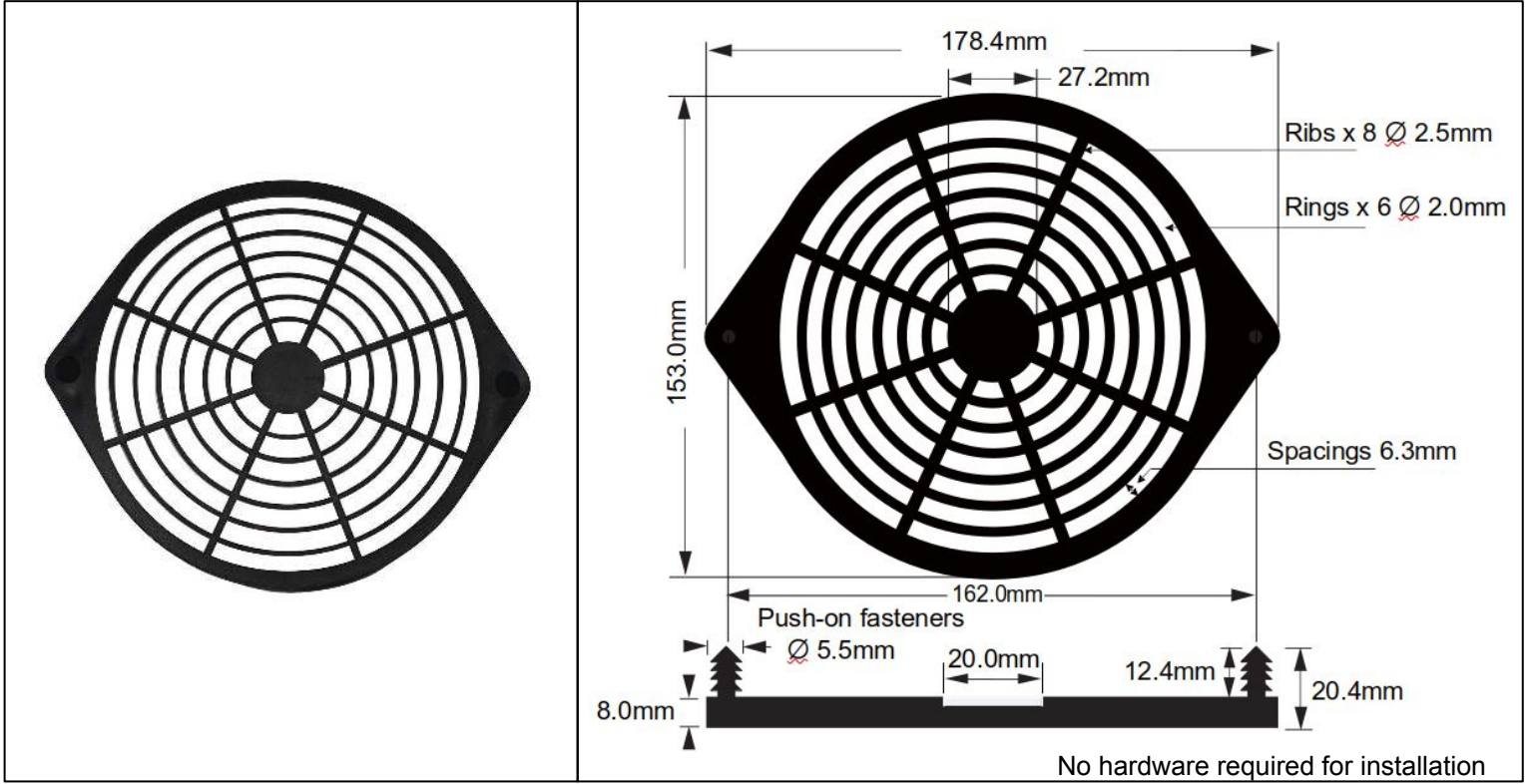


G172POG



Push-On Fan Guard for 172mm Fans
178.4x153mm (7.0"x6.0")



| | |
|----------------------|--|
| Part Number | G172POG |
| Frame | Nylon UL94 HB Plastic |
| Color | Black (Other Colors Available with minimum order purchase) |
| Fastener to Fastener | 162mm |
| Ring Spacings | 6.3mm |
| Fastener Diameter | 5.5mm |
| Rings Width | 2.0mm |
| Ribs Width | 2.5mm |
| Height | 8.0mm |
| Staging Rings | 6 Rings |
| Weight | 0.09 lbs |

Meets UL 6.35mm (0.25") Ring Spacing Requirement